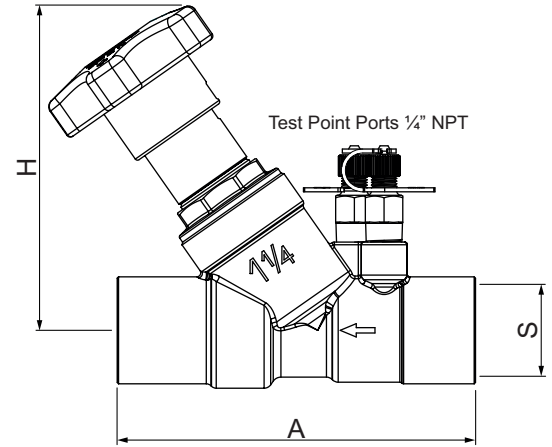


S-1810 DZR Brass Fixed Orifice Circuit Balancing Valve - 1/2" to 2"



DIMENSIONS - In.						
Size	Cv - Full Open	Cvs	H	A	S - Internal Bore Diameter	Weight Lbs.
1/2" - U	0.605	0.64	4.06	3.74	0.627 - 0.631	1.158
1/2" - L	0.985	1.33	4.06	3.74	0.627 - 0.631	1.158
1/2"	2.22	3.24	4.06	3.74	0.627 - 0.631	1.158
3/4"	4.24	6.16	4.06	4.18	0.877 - 0.881	1.338
1"	7.21	11.24	4.06	4.57	1.128 - 1.131	1.546
1 1/4"	14.50	23.41	4.85	5.28	1.378 - 1.381	2.527
1 1/2"	22.65	34.95	4.94	5.90	1.628 - 1.632	3.162
2"	34.36	63.67	5.34	6.73	2.128 - 2.132	4.463



MATERIAL LIST	
PART	SPECIFICATION
Body	Brass - UNS C35330 (DZR)
Venturi Insert	Brass - UNS C35330 (DZR)
Balancing Cone	Brass - UNS C35330 (DZR)
Gasket Disk	PTFE
Disk*	Brass - UNS C35330 (DZR)
O-ring	EPDM
Disk stem	Brass - UNS C35330 (DZR)
Union*	Brass - UNS C35330 (DZR)
Stem	Brass ASTM B124 C37700
Bonnet	Brass - UNS C35330 (DZR)
Indicator Housing	ABS Black Color
Scale	Acetal Resin
Handwheel	ABS Black Color
Test Point (2)	Brass UNS C35330 (DZR)

*Sizes 1 1/4", 1 1/2" & 2"

300 PSI Non-Shock Cold Working Pressure
Maximum Temperature 260°F @ 150 PSI

Flow Measurement Accuracy ±3%

Accessories



PT Test Point Extension

RECOMMENDED FLOW RANGE		
Size - inches	Flow Range - gpm	
	Min	Max
1/2" - U	0.24	1.0
1/2" - L	0.52	2.0
1/2"	1.2	5.0
3/4"	2.4	10
1"	4.3	18
1 1/4"	9.0	33
1 1/2"	12	49
2"	24	78

Project: _____

Contractor: _____

PO/Job No.: _____

Engineer: _____

Representative: _____

Date: _____