

Class 125 Bronze Globe Valves

Screw-In Bonnet • Integral Seat • Renewable Seat Disc

125 PSI/8.6 bar saturated steam to 353° F/178° C
200 PSI/13.8 bar non-shock cold working pressure

CONFORMS TO MSS SP-80

MATERIAL LIST

PART	SPECIFICATION
1. Handwheel Nut	300 Series Stainless Steel
2. Identification Plate	Aluminum
3. Handwheel	Malleable Iron ASTM A 47
4. Stem	Silicon Bronze ASTM B 371 Alloy C69400/C69430
5. Packing Gland	Bronze ASTM B 62 or ASTM B124 Brass ASTM B16 C36000
6. Packing Nut	Bronze ASTM B 62 or ASTM B584 Alloy C37700 or Alloy C36000
7. Packing	Aramid Fibers with Graphite
8. Bonnet	Bronze ASTM B 62
9. Disc Holder Nut	Bronze ASTM B 140 Alloy C31400 or B 62
*10. Disc Holder	Bronze ASTM B 62
*11. Seat Disc	Water, Oil or Gas Steam (PTFE) (Y)
*11a. Seat Disc	Bronze ASTM B 62 (B)
*12. Disc Nut	Bronze ASTM B 62/ASTM B 98 Alloy C65100 w/SS Washer
13. Body	Bronze ASTM B 62

Note: S-211 not available with (B) Disc.

* The Bronze Disc does not require a Disc Nut. When converting from (B) Disc to (Y) Disc, order Disc Nut (12) and Disc Holder (10) and proper disc (11).

DIMENSIONS—WEIGHTS—QUANTITIES

Size	Dimensions						T-211		S-211		Master Ctn. Qty.		
	In.	mm.	A In.	mm.	B In.	mm.	In.	mm.	Lbs.	Kg.	Lbs.	Kg.	T-211
*1/8†	6	2.38	60	3.38	86	1.81	46	1.01	0.46	0.98	0.44	50	50
*1/4†	8	2.38	60	3.38	86	1.81	46	1.00	0.45	0.94	0.43	50	50
*3/8†	10	2.38	60	3.38	86	1.81	46	0.98	0.45	0.93	0.42	50	50
*1/2†	15	2.56	65	3.38	86	1.69	43	1.03	0.47	0.95	0.43	50	50
3/4	20	3.06	78	4.88	124	2.25	57	1.73	0.79	1.80	0.82	30	30
1	25	3.69	94	5.69	145	2.81	72	2.85	1.29	2.87	1.30	20	20
1 1/4	32	4.31	110	6.13	156	3.06	78	3.79	1.72	3.55	1.61	10	10
1 1/2	40	4.69	119	7.38	187	3.56	91	5.90	2.68	5.70	2.58	10	10
2	50	5.63	143	7.94	202	4.44	113	8.68	3.94	8.91	4.04	6	4
2 1/2	65	6.63	168	10.19	259	5.25	133	15.40	6.98	15.92	7.22	2	2
3	80	7.75	197	11.19	284	6.50	165	22.44	10.18	21.32	9.67	2	2

* Stem and Disc (or Disc Holder) are integral.

† No packing gland, packing only in these sizes.

FREEZING WEATHER PRECAUTION: Subsequent to testing a piping system, valves should be left in an open position to allow complete drainage.

◆ For detailed Operating Pressure, refer to Pressure Temperature Chart on page 116.

WARNING: This product can expose you to chemicals including lead, which is known to the State of California to cause cancer and birth defects or other reproductive harm. For more information go to www.P65Warnings.ca.gov.

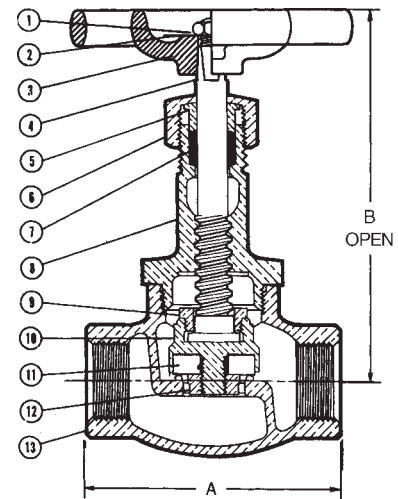
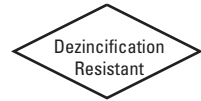
Visit our website for the most current information.



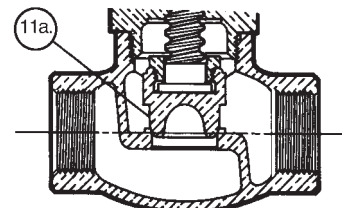
T-211
Threaded



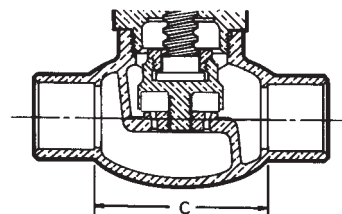
S-211
Solder



T-211-Y
NPT x NPT



T-211-B
NPT x NPT



S-211-Y
C x C