

# Brass Ball Valves

Two-Piece Body • Standard Port • Blowout-Proof Stem • PTFE Seats

**400 PSI/28 Bar Non-Shock Cold Working Pressure**

## MATERIAL LIST

PART	SPECIFICATION
1 Body	Forged Brass <sup>1</sup> CU > 57%
2 End Cap	Forged Brass <sup>1</sup> CU > 57%
3 Ball Seat	PTFE
4 Ball	Brass, Chrome Plated
5 Stem	Brass
6 O-Ring	Fluorocarbon (FKM)
7 Stem Packing	PTFE
8 Packing Nut	Brass
9 Lever Handle	Steel, Plated
10 Lock Washer	Stainless Steel
11 Stem Nut	Stainless Steel

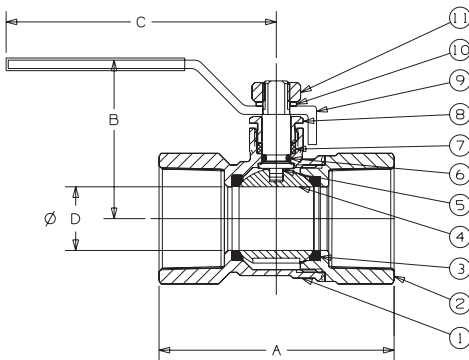
Note: <sup>1</sup> For Material Certification, contact NIBCO Technical Services.



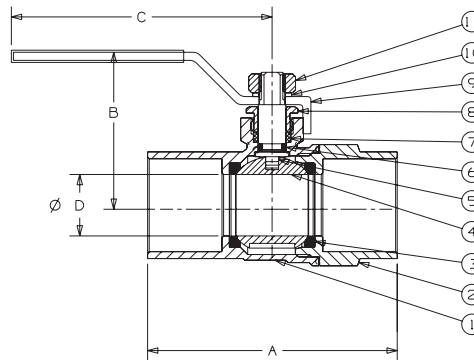
**T-580-A**  
Threaded



**S-580-A**  
Solder



**T-580-A**  
NPT x NPT



**S-580-A**  
C x C

## DIMENSIONS—WEIGHTS—QUANTITIES

Size	Dimensions										T-580-A		S-580-A		Ctn. Qty	
	A		B		C		D Port		Wt.		Wt.					
	In.	mm.	In.	mm.	In.	mm.	In.	mm.	Lbs.	Kg.	Lbs.	Kg.				
½	15	2.16	55	1.95	50	1.58	40	3.74	95	0.39	10	0.36	0.16	0.29	0.13	16
¾	20	2.19	56	2.50	64	1.79	45	3.74	95	0.59	15	0.48	0.22	0.44	0.20	12
1	25	2.76	70	3.04	77	2.06	52	3.94	100	0.75	19	0.85	0.39	0.71	0.32	6
1¼	32	3.13	80	3.49	89	2.54	65	4.50	114	0.98	25	1.14	0.52	1.07	0.49	4
1½	40	3.40	86	3.98	101	2.59	66	5.00	127	1.18	30	1.71	0.78	1.48	0.67	2
2	50	3.73	95	4.76	121	2.95	75	6.18	157	1.46	37	2.41	1.09	2.41	1.09	2

Note: S-580-A series to be soft soldered into lines using solder with the melting point not exceeding 470° F. Use of higher temperature solders may damage the seat material.



**WARNING:** This product can expose you to chemicals including lead, which is known to the State of California to cause cancer and birth defects or other reproductive harm. For more information go to [www.P65Warnings.ca.gov](http://www.P65Warnings.ca.gov).

**NOT FOR USE WITH POTABLE DRINKING WATER APPLICATIONS AFTER JANUARY 3, 2014.**