

Bronze Ball Valves

Three-Way Body • Full Port 1/2"-1" • Conventional Port 1 1/4"-2" •
3-Way Bronze Ball Valve • Bronze Trim • Blowout-Proof Stem

400 PSI/27.6 bar non-shock cold working pressure

CONFORMS TO MSS SP-110

MATERIAL LIST

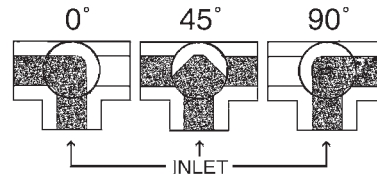
PART	SPECIFICATION
1. Handle	Zinc Plated Steel Clear Chromate Plastisol Coated
2. Handle Nut	Stainless Steel 300 Series
3. Threaded Pack Gland	Brass ASTM B 16 Alloy C36000
4. Packing	PTFE
5. Thrust Washer	Reinforced PTFE
6. Stem	Brass ASTM B 16 Alloy C36000
7. Seat Ring (2)	Reinforced PTFE
8. Ball	Brass ASTM B 124 Alloy C37700 or ASTM B16 Alloy C36000 EACH with Hard Chrome Plate
9. Body	Bronze ASTM B 584 Alloy C84400
10. Body End Piece	Bronze ASTM B 584 Alloy C84400



T-585-70-W3
Threaded

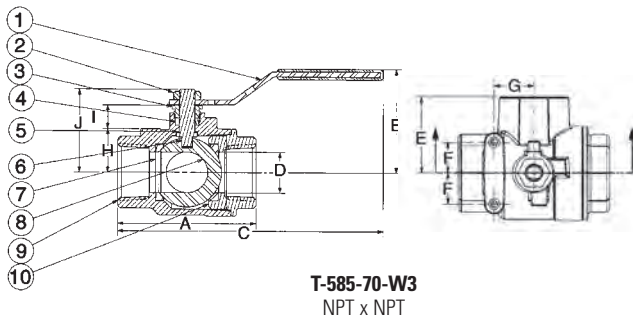


S-585-70-W3
Solder

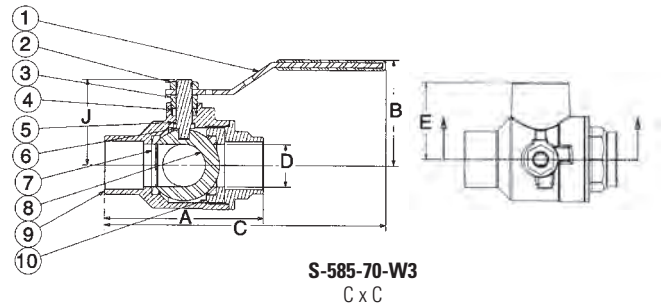


Flow Pattern
Lever Position

Note: Open port pressure must exceed closed port pressure. If closed port pressure exceeds open port pressure, ball may be forced off of the seat ring which could allow mixing from all ports.



T-585-70-W3
NPT x NPT



S-585-70-W3
C x C

DIMENSIONS—WEIGHTS—QUANTITIES

T-585-70-W3 Dimensions

Size	A		B		C		D		E		F		G		H		I		J		T-585-70-W3 Master			
	In.	mm.	In.	mm.	In.	mm.	In.	mm.	In.	mm.	In.	mm.	In.	mm.	In.	mm.	In.	mm.	In.	mm.	Lbs.	Kg.	Ctn.	Qty.
1/2	15	2.44	62	1.88	48	5.19	132	.50	13	1.22	31	.69	18	.88	22	.65	17	.51	13	1.45	37	.84	.38	50
3/4	20	2.94	75	2.25	57	6.25	159	.75	19	1.45	37	.69	18	.88	22	.85	22	.57	14	1.80	46	1.62	.73	25
1	25	3.34	85	2.38	60	6.44	164	1.00	25	1.69	43	.69	18	.88	22	1.05	27	.57	14	1.97	50	2.28	1.03	20
1 1/4	32	4.19	106	3.00	76	6.75	171	1.12	28	1.98	50	.75	19	.94	24	1.23	31	.87	22	2.60	66	4.19	1.90	10
1 1/2	40	4.72	120	3.16	80	9.06	230	1.38	35	2.38	60	.75	19	.94	24	1.48	38	.87	22	2.84	72	6.00	2.72	8
†2	50	5.31	135	3.50	89	9.25	235	1.88	48	2.75	70	.75	19	.94	24	1.88	48	.70	18	3.14	80	9.03	4.09	4

† NIBCO supplies conventional port T-580-70-W3 on this size.

S-585-70-W3 Dimensions

Size	A		B		C		D		E		J		S-585-70-W3		Master Ctn. Qty.	
	In.	mm.	In.	mm.	In.	mm.	In.	mm.	In.	mm.	In.	mm.	Lbs.	Kg.		
1/2	15	2.56	65	1.88	48	5.19	132	.50	13	1.08	27	1.45	37	.67	.30	50
3/4	20	3.25	83	2.25	57	6.25	159	.75	19	1.50	38	1.80	46	1.35	.61	25
1	25	3.75	95	2.38	60	6.63	168	1.00	25	1.85	47	1.97	50	2.07	.94	20



WARNING: This product can expose you to chemicals including lead, which is known to the State of California to cause cancer and birth defects or other reproductive harm. For more information go to www.P65Warnings.ca.gov.

Visit our website for the most current information.