

# Brass Ball Valves

Two-Piece Body • Full Port • Blowout-Proof Stem • PTFE Seats  
**1/4"-2" 600 PSI/41.4 Bar Non-Shock Cold Working Pressure**  
**2 1/2"-4" 400 PSI/27.6 Bar Non-Shock Cold Working Pressure**

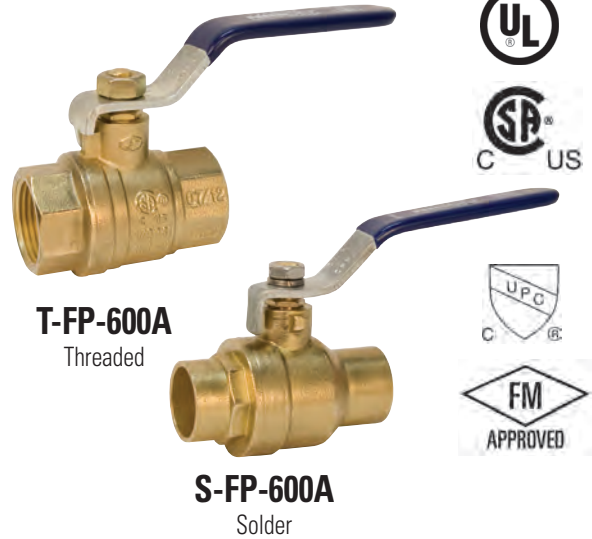
CSA CERTIFIED TO ASME B16.44 AND CR91-002 (THREADED 1/4"-4")  
 • UL LISTED (THREADED 1/4"-4") • FM APPROVED (THREADED 1/4"-2")  
 • CRN: 0C19353.5XX\*

**Threaded**  
 CSA (1/4" - 4"):  
 • CR91-002: 1/2 psig, 2 psig, and 5 psig (these are specific approved categories)  
 • ASME B16.33: 125 psig (maximum)  
 • Temperature is -4° F to 194° F

**Threaded**  
 FM (1/4" - 2"):  
 • 175wvp Threaded

UL, Gas and Oil (1/4" - 4"):  
 • YQNZ, Compressed Gas Shutoff Valves: 250 psi  
 • YRBX, Flammable Liquid Shutoff Valves: 250 psi  
 • YRPV, Gas Shutoff Valves: 250 psi  
 • YSDT, LP-Gas Shutoff Valves: 250 psi  
 • MHKZ, Manual Valves: 250 psi

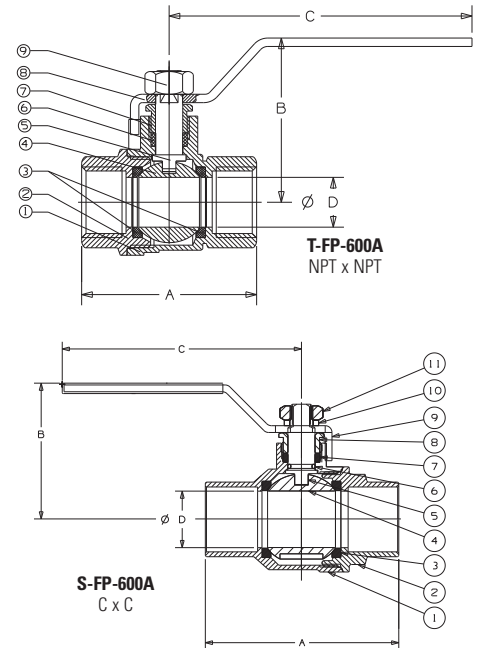
\*Please contact Technical Customer Service for the CRN Jurisdictions/Provinces list



## MATERIAL LIST

PART	SPECIFICATION
1. Body	Forged Brass <sup>2</sup> CU > 57%
2. End Cap	Forged Brass <sup>2</sup> CU > 57%
3. Ball Seat	PTFE
4. Ball	Chrome Plated Brass - C46500 (1/4"-1"), Stainless Steel 316 (1 1/4"-4")
5. Stem	Brass
6. O-Ring (Stem Seal)*	Fluorocarbon (FKM)
7. Stem Packing	PTFE
8. Packing Nut	Brass
9. Lever Handle <sup>1</sup>	Steel, Plated
10. Lock Washer*	Stainless Steel
11. Handle Nut <sup>1</sup>	Stainless Steel

Note: \* Parts 6 and 10 are applicable of S-FP-600A only.  
<sup>1</sup> Due to Standard Approvals, Lever Handles and Nuts are not interchangeable between Solder and Threaded.  
<sup>2</sup> For Material Certification, contact NIBCO Technical Services.



## DIMENSIONS—WEIGHTS—QUANTITIES

Size	T-FP-600A		S-FP-600A		T-FP-600A		S-FP-600A		T-FP-600A		S-FP-600A		Port		T-FP-600A		S-FP-600A		T-FP-600A		S-FP-600A			
	A	A	B	B	C	C	D	D	Lbs.	Kg.	Lbs.	Kg.	Ctn.	Qty.	Lbs.	Kg.	Lbs.	Kg.	Ctn.	Qty.	Lbs.	Kg.		
1/4	8	1.76	45	—	—	1.73	44	—	—	3.54	90	—	—	.39	10	.33	.15	—	—	18	—	—	—	
3/8	10	1.76	45	1.75	44	1.73	44	1.58	40	3.54	90	3.78	96	.39	10	.30	.14	.38	.17	18	18	—	—	—
1/2	15	2.05	52	2.01	51	1.92	49	1.78	45	3.54	90	3.78	96	.59	15	.44	.20	.40	.18	18	18	—	—	—
3/4	20	2.36	60	2.74	70	2.09	53	2.13	54	3.78	96	3.98	101	.75	19	.66	.30	.67	.30	12	12	—	—	—
1	25	2.76	70	3.35	85	2.56	65	2.52	64	4.53	115	4.41	112	.98	25	1.10	.50	1.12	.51	6	6	—	—	—
1 1/4	32	3.31	84	3.78	96	2.95	75	2.65	67	4.53	115	5.04	128	1.26	32	1.57	.71	1.49	.67	4	4	—	—	—
1 1/2	40	3.66	93	4.42	112	3.35	85	3.12	79	5.51	140	6.22	158	1.57	40	2.40	1.09	2.38	1.08	2	2	—	—	—
2	50	4.18	106	5.34	136	3.68	93	3.41	87	5.51	140	6.22	158	1.97	50	3.37	1.53	3.62	1.64	2	2	—	—	—
2 1/2	65	5.38	137	6.28	160	4.76	121	4.76	121	8.66	220	8.66	220	2.56	65	7.60	3.45	6.36	2.88	3	3	—	—	—
3	75	6.04	153	7.15	182	5.08	129	5.08	129	8.66	220	8.66	220	2.95	75	9.36	4.24	8.32	3.77	2	2	—	—	—
4	100	7.39	188	—	—	5.87	149	—	—	9.61	244	—	—	3.89	99	16.85	7.64	—	—	1	—	—	—	—

NOT FOR USE WITH POTABLE DRINKING WATER APPLICATIONS AFTER JANUARY 3, 2014.

**WARNING:** This product can expose you to chemicals including lead, which is known to the State of California to cause cancer and birth defects or other reproductive harm. For more information go to www.P65Warnings.ca.gov.