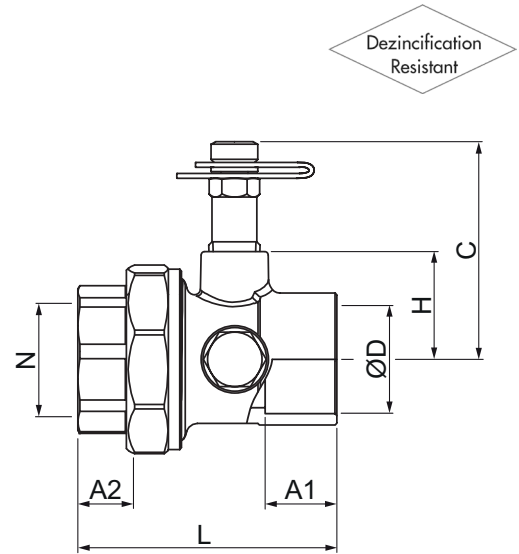


ST-1800 DZR Brass Union with Test Point

Solder End ASME B16.22 x NPT Threaded End - 1/2" to 2"

MATERIAL LIST	
PART	SPECIFICATION
Body	Brass - UNS C35330 (DZR)
Union Nut	Brass - UNS C35330 (DZR)
Connector	Brass - UNS C35330 (DZR)
O-ring	EPDM
Test Point	Brass - UNS C35330 (DZR)
Plug (2)	Brass - UNS C35330 (DZR)

DIMENSIONS - In.								
Size	L	A1	A2	H	C	ØD	N	Weight Lbs.
1/2"	2.42	0.50	0.59	0.85	2.03	0.63	1/2" - 14 NPT	0.48
3/4"	2.67	0.75	0.59	0.98	2.14	0.88	3/4" - 14 NPT	0.58
1"	2.89	0.91	0.65	1.10	2.28	1.13	1" - 11.5 NPT	0.76
1 1/4"	3.05	0.97	0.65	1.22	2.40	1.38	1 1/4" - 11.5 NPT	1.07
1 1/2"	3.25	1.10	0.67	1.35	2.53	1.63	1 1/2" - 11.5 NPT	1.37
2"	3.52	1.34	0.69	1.59	2.77	2.13	2" - 11.5 NPT	1.88



600 PSI Non-Shock Cold Working Pressure at 100°F
Maximum Temperature 250°F at 200 PSI

Project: _____

Contractor: _____

PO/Job No.: _____

Engineer: _____

Representative: _____

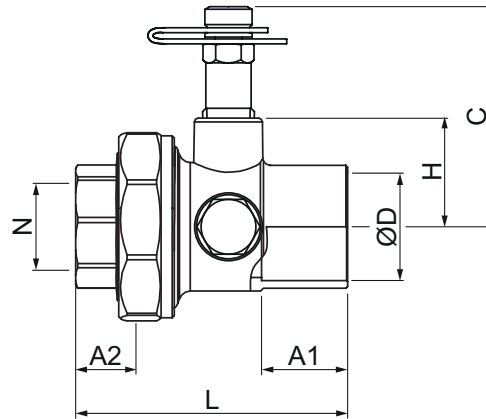
Date: _____

ST-1800R DZR Brass Union with Test Point

Solder End ASME B16.22 x NPT Threaded End - 1/2" to 2"



MATERIAL LIST	
PART	SPECIFICATION
Body	Brass - UNS C35330 (DZR)
Union Nut	Brass - UNS C35330 (DZR)
Connector	Brass - UNS C35330 (DZR)
O-ring	EPDM
Test Point	Brass - UNS C35330 (DZR)
Plug (2)	Brass - UNS C35330 (DZR)



DIMENSIONS - In.								
Size	L	A1	A2	H	C	ØD	N	Weight Lbs.
3/4" x 1/2"	2.67	0.75	0.59	0.98	2.18	0.88	1/2" - 14 NPT	0.59
1" x 1/2"	2.83	0.91	0.59	1.10	2.30	1.13	1/2" - 14 NPT	0.78
1" x 3/4"	2.83	0.91	0.59	1.10	2.30	1.13	3/4" - 14 NPT	0.77
1 1/4" x 3/4"	2.95	0.97	0.59	1.22	2.42	1.38	3/4" - 14 NPT	1.10
1 1/4" x 1"	3.05	0.97	0.65	1.22	2.42	1.38	1" - 11.5 NPT	1.10
1 1/2" x 1"	3.25	1.10	0.65	1.34	2.54	1.63	1" - 11.5 NPT	1.43
1 1/2" x 1 1/4"	3.25	1.10	0.67	1.34	2.54	1.63	1 1/4" - 11.5 NPT	1.40
2" x 1 1/4"	3.48	1.34	0.67	1.59	2.79	2.13	1 1/4" - 11.5 NPT	2.03
2" x 1 1/2"	3.52	1.34	0.69	1.59	2.79	2.13	1 1/2" - 11.5 NPT	2.00

600 PSI Non-Shock Cold Working Pressure at 100°F
Maximum Temperature 250°F at 200 PSI

Project: _____
 Contractor: _____
 PO/Job No.: _____
 Engineer: _____
 Representative: _____
 Date: _____