

Class 125 Bronze Gate Valves

Screw-In Bonnet • Rising Stem • Solid Wedge

125 PSI/8.6 bar saturated steam to 353° F/178° C
200 PSI/13.8 bar non-shock cold working pressure

CONFORMS TO MSS SP-80

MATERIAL LIST

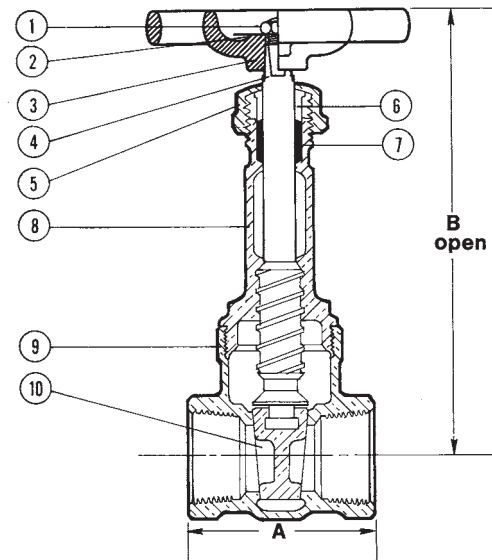
| PART | SPECIFICATION |
|-------------------------|---|
| 1. Handwheel Nut | 300 Series Stainless Steel |
| 2. Identification Plate | Aluminum |
| 3. Handwheel | Malleable Iron ASTM A 47 |
| 4. Stem | Silicon Bronze ASTM B 371 Alloy C69400/C69430 or ASTM B 99 Alloy C65100 |
| 5. Packing Nut | Bronze ASTM B 62 or ASTM B584 Alloy C84400 or Brass ASTM B 16 |
| 6. Packing Gland | Bronze ASTM B 62 or ASTM B584 Alloy C84400 or Brass ASTM B16 |
| 7. Packing | Aramid Fibers with Graphite |
| 8. Bonnet | Bronze ASTM B 62 |
| 9. Body | Bronze ASTM B 62 |
| 10. Wedge | Bronze ASTM B 62 |



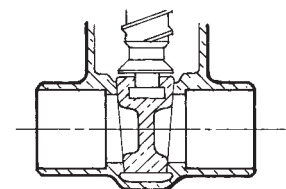
T-111
Threaded



S-111
Solder



T-111
NPT x NPT



S-111
C x C

DIMENSIONS—WEIGHTS—QUANTITIES

| Size | Dimensions | | | | | | T-111 | | S-111 | | Master Ctn. Qty. | | |
|------|------------|------|-----|-------|-----|------|-------|-------|-------|-------|------------------|-------|-------|
| | A | | B | | C | | Lbs. | Kg. | Lbs. | Kg. | T-111 | S-111 | |
| In. | mm. | In. | mm. | In. | mm. | In. | mm. | Lbs. | Kg. | Lbs. | Kg. | T-111 | S-111 |
| † ¼ | 8 | 1.69 | 43 | 4.63 | 117 | x | x | 0.79 | 0.36 | x | x | 50 | x |
| † ⅜ | 10 | 1.69 | 43 | 4.63 | 117 | .69 | 18 | 0.76 | 0.35 | 0.70 | 0.32 | 50 | 50 |
| † ½ | 15 | 1.94 | 49 | 4.81 | 122 | .75 | 19 | 0.87 | 0.40 | 0.73 | 0.33 | 50 | 50 |
| ¾ | 20 | 2.06 | 54 | 5.81 | 148 | .88 | 22 | 1.19 | 0.54 | 1.07 | 0.49 | 50 | 50 |
| 1 | 25 | 2.44 | 62 | 7.09 | 180 | 1.00 | 25 | 1.98 | 0.90 | 1.77 | 0.80 | 30 | 30 |
| 1¼ | 32 | 2.63 | 67 | 8.13 | 206 | 1.19 | 32 | 2.66 | 1.21 | 2.52 | 1.14 | 20 | 20 |
| 1½ | 40 | 2.88 | 72 | 9.81 | 249 | 1.25 | 33 | 3.76 | 1.70 | 3.42 | 1.55 | 10 | 10 |
| 2 | 50 | 3.06 | 78 | 11.56 | 294 | 1.31 | 34 | 5.56 | 2.52 | 5.23 | 2.37 | 10 | 10 |
| 2½ | 65 | 4.13 | 105 | 14.31 | 364 | 1.81 | 46 | 10.81 | 4.90 | 9.63 | 4.37 | 4 | 4 |
| 3 | 80 | 4.50 | 114 | 16.50 | 419 | 1.94 | 49 | 15.49 | 7.02 | 13.92 | 6.31 | 2 | 4 |

† No packing gland, packing only in these sizes.

x Not available this size.

FREEZING WEATHER PRECAUTION: Subsequent to testing a piping system, valves should be left in an open position to allow complete drainage.

◆ For detailed Operating Pressure, refer to Pressure Temperature Chart on page 116.

WARNING: This product can expose you to chemicals including lead, which is known to the State of California to cause cancer and birth defects or other reproductive harm. For more information go to www.P65Warnings.ca.gov.

Visit our website for the most current information.