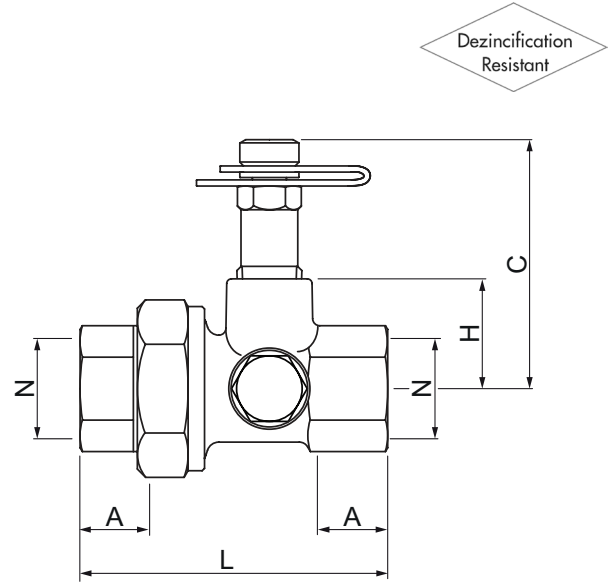


# T-1800 DZR Brass Union with Test Point NPT Threaded Ends - 1/2" to 2"

MATERIAL LIST	
PART	SPECIFICATION
Body	Brass - UNS C35330 (DZR)
Union Nut	Brass - UNS C35330 (DZR)
Connector	Brass - UNS C35330 (DZR)
O-ring	EPDM
Test Point	Brass - UNS C35330 (DZR)
Plug (2)	Brass - UNS C35330 (DZR)

DIMENSIONS - In.						
Size	L	A	H	C	N - Thread	Weight Lbs.
1/2"	2.56	0.59	0.91	2.11	1/2" - 14 NPT	0.55
3/4"	2.56	0.59	1.02	2.20	3/4" - 14 NPT	0.67
1"	2.68	0.65	1.14	2.32	1" - 11.5 NPT	0.83
1 1/4"	2.82	0.67	1.32	2.50	1 1/4" - 11.5 NPT	1.17
1 1/2"	2.87	0.67	1.43	2.61	1 1/2" - 11.5 NPT	1.44
2"	2.95	0.70	1.67	2.85	2" - 11.5 NPT	1.89



**600 PSI Non-Shock Cold Working Pressure at 100°F**  
**Maximum Temperature 250°F at 200 PSI**

Project: \_\_\_\_\_

Contractor: \_\_\_\_\_

PO/Job No.: \_\_\_\_\_

Engineer: \_\_\_\_\_

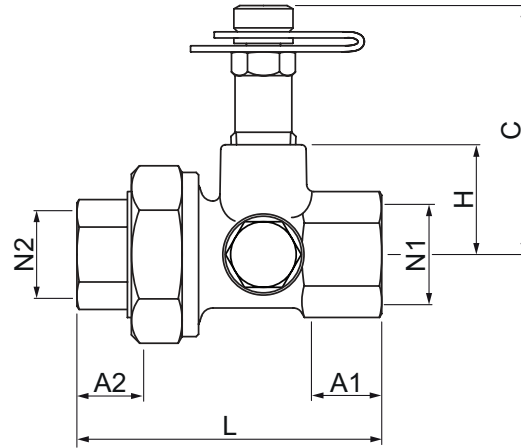
Representative: \_\_\_\_\_

Date: \_\_\_\_\_

# T-1800R DZR Brass Union with Test Point NPT Threaded Ends - 1/2" to 2"



MATERIAL LIST	
PART	SPECIFICATION
Body	Brass - UNS C35330 (DZR)
Union Nut	Brass - UNS C35330 (DZR)
Connector	Brass - UNS C35330 (DZR)
O-ring	EPDM
Test Point	Brass - UNS C35330 (DZR)
Plug (2)	Brass - UNS C35330 (DZR)



DIMENSIONS - In.								
Size	L	A1	A2	H	C	N1 - Thread	N2 - Thread	Weight Lbs.
3/4" x 1/2"	2.56	0.59	0.59	1.02	2.20	3/4" - 14 NPT	1/2" - 14 NPT	0.64
1" x 1/2"	2.61	0.65	0.59	1.14	2.32	1" - 11.5 NPT	1/2" - 14 NPT	0.81
1" x 3/4"	2.61	0.65	0.59	1.14	2.32	1" - 11.5 NPT	3/4" - 14 NPT	0.80
1 1/4" x 3/4"	2.72	0.67	0.59	1.32	2.50	1 1/4" - 11.5 NPT	3/4" - 14 NPT	1.18
1 1/4" x 1"	2.81	0.67	0.65	1.32	2.50	1 1/4" - 11.5 NPT	1" - 11.5 NPT	1.18
1 1/2" x 1"	2.87	0.67	0.65	1.44	2.61	1 1/2" - 11.5 NPT	1" - 11.5 NPT	1.49
1 1/2" x 1 1/4"	2.87	0.67	0.67	1.44	2.61	1 1/2" - 11.5 NPT	1 1/4" - 11.5 NPT	1.46
2" x 1 1/4"	2.91	0.69	0.65	1.67	2.85	2" - 11.5 NPT	1 1/4" - 11.5 NPT	2.03
2" x 1 1/2"	2.95	0.69	0.69	1.67	2.85	2" - 11.5 NPT	1 1/2" - 11.5 NPT	2.00

**600 PSI Non-Shock Cold Working Pressure at 100°F**  
**Maximum Temperature 250°F at 200 PSI**

Project: \_\_\_\_\_

Contractor: \_\_\_\_\_

PO/Job No.: \_\_\_\_\_

Engineer: \_\_\_\_\_

Representative: \_\_\_\_\_

Date: \_\_\_\_\_