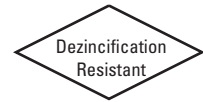


Class 150 Bronze Check Valves

Horizontal Swing • Regrinding Type • Y-Pattern • Renewable Seat and Disc

150 PSI/10.3 bar saturated steam to 366° F/185° C
300 PSI/20.7 bar non-shock cold working pressure

CONFORMS TO MSS SP-80



MATERIAL LIST

PART	SPECIFICATION
1. Bonnet	Bronze ASTM B 62
2. Body	Bronze ASTM B 62
3. Hinge Pin	316 SS or 304 SS
4. Disc Hanger	Bronze ASTM B 62 or MPIF SS-316NI-25
5. Hanger Nut	Bronze ASTM B16
6. Disc Holder	Bronze ASTM B 62
7. Seat Disc	Steam (PTFE) (Y) Bronze ASTM B 62 C83600 (B)
8. Seat Disc Nut	Bronze ASTM B16
9. Hinge Pin Plug	Bronze ASTM B 140 Alloy C31400 (not shown)
*10. Seat Disc Washer	Stainless Steel S30400

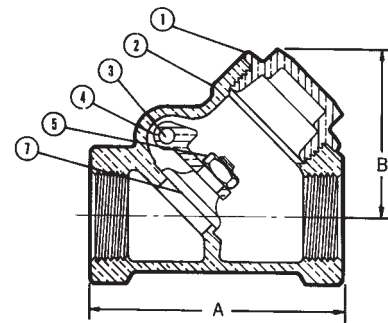
* Sizes 1", 1¼", 1½" and 2" only. No Seat Disc Washers on 1/2" and 3/4" with PTFE (Y) discs.



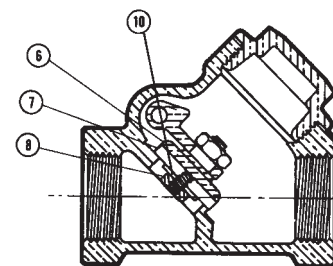
T-433
Threaded



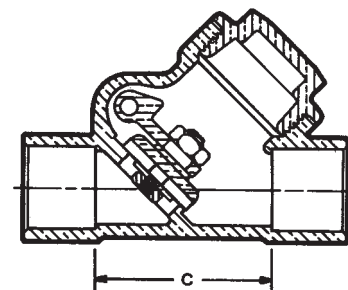
S-433
Solder



T-433-B
NPT x NPT



T-433-Y
NPT x NPT



S-433-Y
C x C

DIMENSIONS—WEIGHTS—QUANTITIES

Size	Dimensions				T-433		S-433		Master Ctn. Qty.					
	A	B	C	D	Lbs.	Kg.	Lbs.	Kg.						
¼	8	2.13	54	1.63	41	1.63	41	1.38	35	0.54	0.24	0.54	0.24	50
⅜	10	2.13	54	1.63	41	1.63	41	1.31	33	0.54	0.24	0.53	0.24	50
½	15	2.44	62	1.69	43	1.69	43	1.50	38	0.60	0.27	0.60	0.27	50
¾	20	2.94	75	1.88	48	1.88	48	1.88	48	0.98	0.44	0.99	0.45	50
1	25	3.56	90	2.31	59	2.31	59	2.25	57	1.58	0.72	1.57	0.71	30
1¼	32	4.19	106	2.69	68	2.69	68	2.75	70	2.39	1.08	2.34	1.06	20
1½	40	4.50	114	2.94	75	2.94	75	3.13	79	3.16	1.43	3.11	1.41	10
2	50	5.25	133	3.94	100	3.94	100	3.75	95	5.41	2.45	5.34	2.42	10
2½	65	8.00	203	5.06	129	5.06	129	5.31	135	11.48	5.21	11.20	5.08	5
3	80	9.25	235	6.25	159	6.25	159	6.25	159	17.53	7.95	16.91	7.67	4

Ordering: T-433 and S-433 normally furnished with Bronze Disc (T-433-B) or (S-433-B).
Both available with PTFE Steam Disc (T-433-Y), (S-433-Y).

Install 5 pipe diameters minimum downstream from pump discharge or changes in direction to avoid flow turbulence. Flow straighteners may be required in extreme cases.

Note: On pump discharge, the preferred check valves are:
- inline, spring assisted, center-guided, lift checks.

NIBCO® Check Valves may be installed in both horizontal and vertical lines with upward flow or in any intermediate position. They will operate satisfactorily in a declining plane (no more than 15°).

Warning – Do Not Use For Reciprocating Air Compressor Service.

♦ For detailed Operating Pressure, refer to Pressure Temperature Chart on page 116.

WARNING: This product can expose you to chemicals including lead, which is known to the State of California to cause cancer and birth defects or other reproductive harm. For more information go to www.P65Warnings.ca.gov.

Visit our website for the most current information.