

# Class 300 Bronze Check Valves

Horizontal Swing • Regrinding Type • Renewable Seat and Disc • Y-Pattern



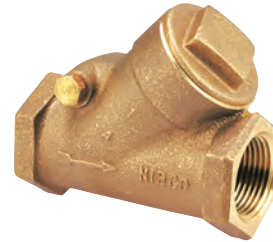
**300 PSI/20.7 bar saturated steam to 421°F/216°C**  
**600 PSI/41.4 bar non-shock cold working pressure**

CONFORMS TO MSS SP-80

## MATERIAL LIST

PART	SPECIFICATION
1. Bonnet	Bronze ASTM B 61
2. Body	Bronze ASTM B 61
3. Hinge Pin	316 SS or 304 SS
4. Disc Hanger	Bronze ASTM B 61 or MPIF SS-316NI-25
5. Seat Disc	Bronze ASTM B 61 C92200 Steam (PTFE) (Y)
6. Hanger Nut	Bronze ASTM B16
7. Hinge Pin Plug	Bronze ASTM B 140 Alloy C31400 (not shown)
8. Disc Holder	Bronze ASTM B 61
9. Disc Nut	Bronze ASTM B 62 or B 16
*10. Seat Disc Washer	ASTM B 98 Alloy C65500 (not shown) or ASTM B 103 (not shown)

\*Sizes 3/4", 1", 1 1/4", 1 1/2" and 2" only. No Seat Disc Washers on 1/2" and 3/4" with PTFE (Y) discs.



**T-473**  
Threaded

## DIMENSIONS—WEIGHTS—QUANTITIES

Size	Dimensions				Weight		Master Ctn. Qty.	
	In.	mm.	In.	mm.	Lbs.	Kg.		
1/4	8	2.25	57	1.56	40	0.57	0.26	50
3/8	10	2.25	57	1.56	40	0.57	0.26	50
1/2	15	2.63	67	1.75	44	0.69	0.31	50
3/4	20	3.13	79	2.06	52	1.02	0.46	25
1	25	3.75	95	2.44	62	1.65	0.75	30
1 1/4	32	4.38	111	3.13	79	2.98	1.35	10
1 1/2	40	4.94	125	3.75	95	4.81	2.18	10
2	50	5.81	148	4.50	114	8.13	3.69	5

Ordering: T-473 is normally furnished with Bronze Disc (T-473-B).  
Available with PTFE Steam Disc (T-473-Y).

Install 5 pipe diameters minimum downstream from pump discharge or changes in direction to avoid flow turbulence. Flow straighteners may be required in extreme cases.

Note: On pump discharge, the preferred check valves are:  
- inline, spring assisted, center-guided, lift checks.

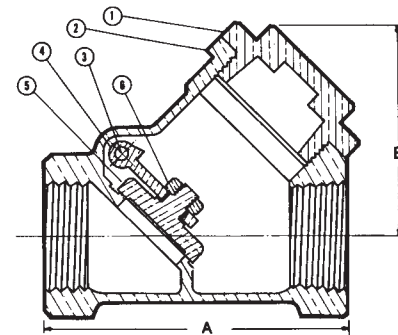
NIBCO® Check Valves may be installed in both horizontal and vertical lines with upward flow or in any intermediate position. They will operate satisfactorily in a declining plane (no more than 15°).

Warning – Do Not Use For Reciprocating Air Compressor Service.

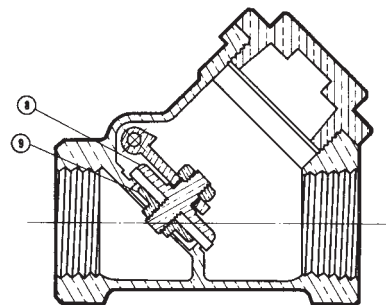
♦ For detailed Operating Pressure, refer to Pressure Temperature Chart on page 116.



**WARNING:** This product can expose you to chemicals including lead, which is known to the State of California to cause cancer and birth defects or other reproductive harm. For more information go to [www.P65Warnings.ca.gov](http://www.P65Warnings.ca.gov).



**T-473-B**  
NPT x NPT



**T-473-Y**  
NPT x NPT

Visit our website for the most current information.