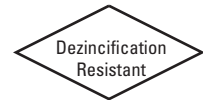


# Bronze Ball Valves

Two-Piece Body • Full Port ¼"-1" • Conventional Port 1¼"-3" •  
Bronze Trim • Blowout-Proof Stem • UL listed

**250 PSI/17.2 Bar Non-Shock LP Gas per UL842**

CONFORMS TO MSS SP-110  
CSA CERTIFIED TO ANSI/ASME B 16.33  
FOR NATURAL AND PROPANE GAS TO 125 PSIG (½"-1")



## MATERIAL LIST

PART	SPECIFICATION
1. Handle Nut	Zinc Plated Steel
2. Handle	Zinc Plated Steel Clear Chromate Plastisol Coated
3. Threaded Pack Gland	Brass ASTM B 16 Alloy C36000
4. Packing	PTFE
5. Stem	Silicon Bronze ASTM B 371 Alloy C69430 or ASTM B 99 Alloy C65100
6. Thrust Washer	Reinforced PTFE
7. Ball	Brass ASTM B 124 Alloy C37700 or ASTM B16 Alloy C36000 EACH with Hard Chrome Plate
8. Seat Ring (2)	Reinforced PTFE
9. Body	Bronze ASTM B 584 Alloy C84400
10. Body End Piece	Bronze ASTM B 584 Alloy C84400



**T-585-70-UL**  
¼"-1" Full Port CSA  
Threaded



**T-580-70-UL**  
1¼"-3" Conventional Port  
Threaded  
UL Only



### UL Listed For:

YSDT LP gas shut-off  
YQNZ Compressed gas shut-off  
YRPV Gas shut-off  
YRBX Flammable liquid shut-off  
MHKZ Manual valves

### Service

A - Air or non-toxic, non-flammable gas  
G - City gas supplied by public utilities  
GA - Gasoline  
LP - Liquefied petroleum gas, 250 PSI max.  
02 - No. 1 and 2 fuel oil  
04 - No. 4 fuel oil  
05 - No. 5 fuel oil  
06 - No. 6 fuel oil

### CUL Listed For:

YSDT7 LP gas shut-off for Canada

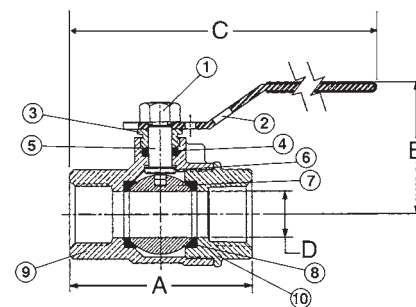
## DIMENSIONS—WEIGHTS—QUANTITIES

Size	Dimensions				T-585-70-UL		Master
	A	B	C	D	T-580-70-UL	Lbs. Kg.	
In. mm.	In. mm.	In. mm.	In. mm.	In. mm.	Lbs. Kg.	Ctn. Qty.	
†¼	8 2.00	51 1.75	44 5.00	127 .38	10 .45	.21	100
†⅜	10 2.00	51 1.75	44 5.00	127 .38	10 .45	.20	100
†½	15 2.44	62 1.88	48 5.19	132 .50	13 .64	.29	100
†¾	20 2.94	75 2.25	57 6.25	159 .75	19 1.33	.60	50
†1	25 3.34	85 2.38	60 6.44	164 1.00	25 1.79	.81	40
1¼	32 3.94	100 2.63	67 6.75	171 1.00	25 2.17	.98	20
1½	40 4.31	109 3.00	76 8.88	226 1.25	32 3.27	1.48	20
2	50 4.63	118 3.16	80 9.06	230 1.50	38 5.09	2.31	10
2½	65 5.84	148 3.50	89 9.66	245 2.00	51 8.25	3.74	6
3	80 7.09	180 4.41	112 11.53	293 2.50	64 15.65	7.10	4

† NIBCO supplies full port T-585-70-UL on this size.

\*NOTE: CSA Certified to ASME B16.33 (1/2" - 1")

**WARNING:** This product can expose you to chemicals including lead, which is known to the State of California to cause cancer and birth defects or other reproductive harm. For more information go to [www.P65Warnings.ca.gov](http://www.P65Warnings.ca.gov).



**T-585-70-UL**  
**T-580-70-UL**  
NPT x NPT

Visit our website for the most current information.