

Stainless Steel Ball Valves

Two-Piece Body • Conventional Port • Blowout-Proof Stem •
316 SS Trim • Cast Mounting Pad • Vented Ball

2000 PSI/138 bar non-shock cold working pressure*

CONFORMS TO MSS SP-110

MATERIAL LIST

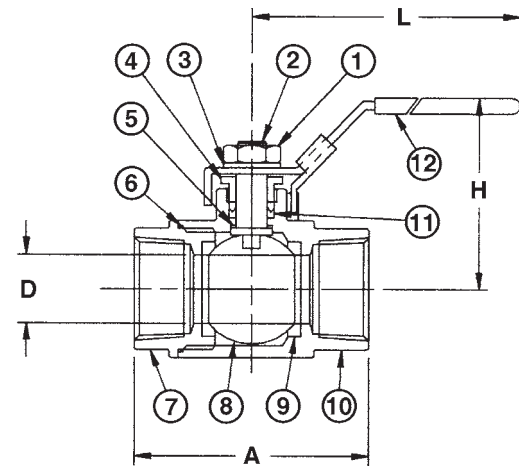
PART	SPECIFICATION
1. Handle Nut	Stainless Steel ASTM A 276 Type 304
2. Stem	Stainless Steel ASTM A 276 Type 316
3. Lock Washer	Stainless Steel 304 SS
4. Threaded Pack Gland	Stainless Steel ASTM A 276 Type 316
5. Thrust Washer	Carbon Filled PTFE
6. Gasket	PTFE
7. Body End Piece	Stainless Steel ASTM A 351 Type CF8M
8. Ball (Vented)	Stainless Steel ASTM A 276 Type 316 or ASTM A 351 Type CF8M
9. Seat (2)	Reinforced PTFE
10. Body	Stainless Steel ASTM A 351 Type CF8M
11. Stem Packing (2)	Carbon Filled PTFE
12. Locking Handle	Stainless Steel ASTM A 240 Type 304

NOTE: valves are static grounded by thrust washer and packing.
Valves tested in accordance with ASME B16.34

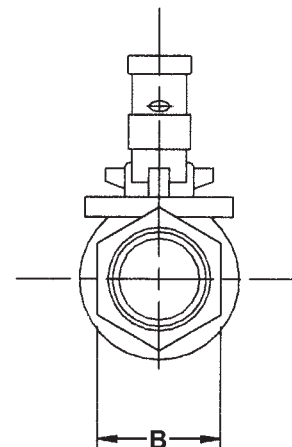


T-580-S6-R-66-LL

Threaded



T-580-S6-R-66-LL
NPT x NPT



DIMENSIONS—WEIGHTS

SIZE	Dimensions												Weight		Master Ctn. Qty.
	A		B		D		H		L		Lbs.	Kg.			
In.	mm.	In.	mm.	In.	mm.	In.	mm.	In.	mm.	In.	mm.				
¼	8	2.07	53	0.83	21	0.37	9	4.33	110	1.76	45	0.51	0.23	10	
⅜	10	2.07	53	0.83	21	0.37	9	4.33	110	1.76	45	0.48	0.22	10	
½	15	2.34	59	1.06	27	0.5	13	4.33	110	1.92	49	0.66	0.3	10	
¾	20	2.8	71	1.34	34	0.69	18	5.83	148	2.4	61	1.3	0.59	10	
1	25	3.23	82	1.61	41	0.87	22	5.83	148	2.56	65	1.79	0.81	10	
1 ¼	32	3.57	91	1.89	48	1	25	7.76	197	2.74	70	2.52	1.14	5	
1 ½	40	4.04	103	2.26	57	1.25	32	7.76	197	2.98	76	3.75	1.7	5	
2	50	4.63	118	2.76	70	1.5	38	7.76	197	3.17	81	5.8	2.63	5	

◆For detailed operating pressure, refer to pressure temperature chart on pages 71 and 72.

Visit our website for the most current information.