

# Bronze Ball Valves

Two-Piece Body • Full Port (1/2"-2") • Conventional Port (2 1/2"-3") •  
Bronze Trim • Blowout Proof Stem •  
Stainless Steel Handle and Handle Nut

**600 PSI/41.4 bar non-shock cold working pressure**  
**150 PSI/10.3 bar saturated steam\***

CONFORMS TO MSS SP-110

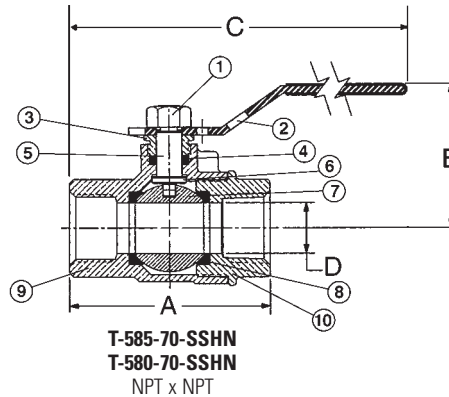


**T-585-70-SSH**  
1/2" - 2"

**T-580-70-SSH**  
2-1/2" - 3"  
Threaded

## MATERIAL LIST

PART	SPECIFICATION
1. Handle Nut	300 Series Stainless Steel
2. Handle	300 Series Stainless Steel Plastisol Coated
3. Threaded Pack Gland	Brass ASTM B 16 Alloy C36000
4. Packing	PTFE
5. Stem	Silicon Bronze ASTM B 371 Alloy C69300 or ASTM B 99 Alloy C65100
6. Thrust Washer	Reinforced PTFE
7. Ball	Brass ASTM B 124 Alloy C37700 or ASTM B16 Alloy C36000 EACH with Hard Chrome Plate
8. Seat Ring (2)	Reinforced PTFE
9. Body	Cast Red Bronze ASTM B 584 Alloy C84400
10. Body End Piece	Cast Red Bronze ASTM B 584 Alloy C84400



## DIMENSIONS—WEIGHTS—QUANTITIES

Size	Dimensions				T-585-70		Master Ctn.	Qty.				
	A	B	C	D	Lbs.	Kg.						
1/2	15	2.44	62	1.88	48	5.19	132	.50	13	.64	.29	100
3/4	20	2.94	75	2.25	57	6.25	159	.75	19	1.33	.60	50
1	25	3.34	85	2.38	60	6.44	164	1.00	25	1.79	.81	40
1 1/4	32	4.19	106	3.00	76	6.75	171	1.25	32	3.12	1.41	20
1 1/2	40	4.72	120	3.16	80	9.06	230	1.50	38	4.78	2.17	10
2	50	5.16	131	3.50	89	9.25	235	2.00	51	6.68	3.03	8
2 1/2	65	5.84	148	3.50	89	9.66	245	2.00	51	8.25	3.74	6
3	80	7.09	180	4.41	112	11.53	293	2.50	64	15.65	7.10	4

**Note:** Higher temperature solders will damage the seat material. See installation sheet packaged with valves.

♦For detailed operating pressure, refer to pressure temperature chart on page 42.

**WARNING:** This product can expose you to chemicals including lead, which is known to the State of California to cause cancer and birth defects or other reproductive harm. For more information go to [www.P65Warnings.ca.gov](http://www.P65Warnings.ca.gov).

\*Weighted average lead content ≤ 0.25%