

Lead-Free Bronze Ball Valves with Spring Return Handle

Spring Return Handle to Close • Silicon Performance Bronze® Alloy • Two-Piece Body • Full Port • Blowout-Proof Stem

600 PSI/41 bar non-shock cold working pressure

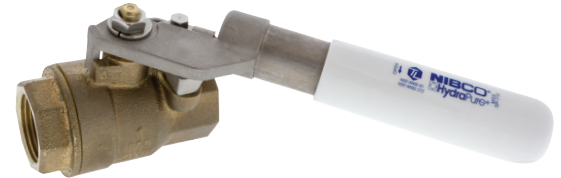
Lead-free markings: Double oval in body casting, white handle and blue hang tag

MSS SP-110/145 • NSF/ANSI/CAN 61-8 COMMERCIAL HOT 180° F • NSF/ANSI 372



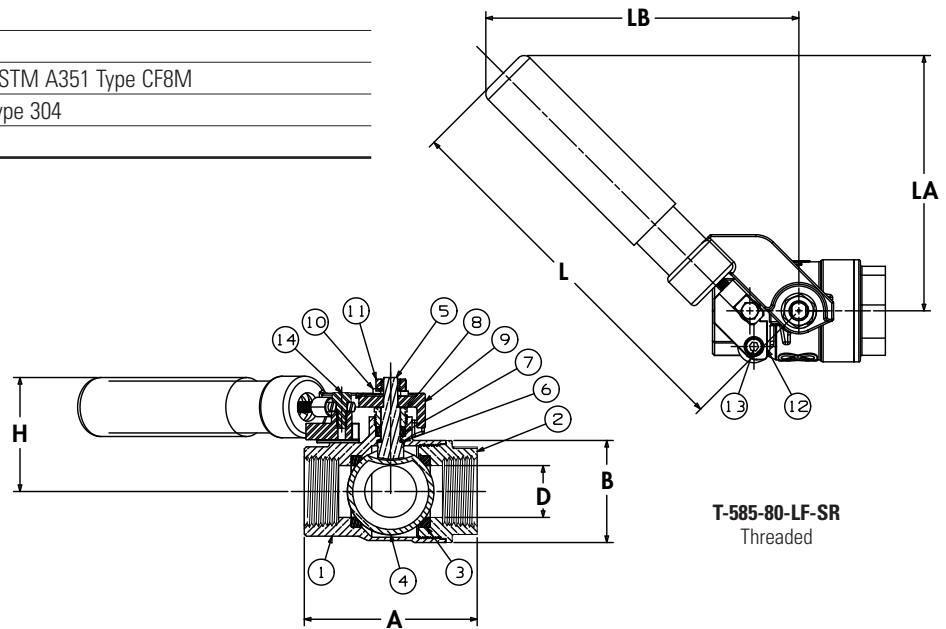
MATERIAL LIST

| PART | SPECIFICATION |
|-------------------------------|---|
| 1. Body | ASTM B584 C87600 DZR Lead-free Silicon Bronze Casting |
| 2. Body End Piece | ASTM B584 C87600 DZR Lead-free Silicon Bronze Casting |
| 3. Seats (2) | Reinforced PTFE |
| 4. Ball (Vented) | ASTM B584 C46500 DZR Lead-free Brass (1/4" - 1") ASTM A276 S31600 or A351 CF8M Stainless Steel (1 1/4" - 2") |
| 5. Stem | ASTM C69300 Lead-free Silicon Bronze |
| 6. Thrust Washer | Reinforced PTFE |
| 7. Stem Packing | Virgin PTFE |
| 8. Threaded Pack Gland | Brass ASTM B16 Alloy C36000 |
| 9. Handle assembly | Stainless Steel Type 316 & 304 w/Vinyl Cover |
| 10. Lock Washer | Stainless Steel |
| 11. Handle Nut | Stainless Steel |
| 12. Mounting Plate | Stainless Steel ASTM A351 Type CF8M |
| 13. Socket Head Cap Screw (2) | Stainless Steel Type 304 |
| 14. Hex Shoulder Bolt | Stainless Steel |



T-585-80-LF-SR

Threaded



T-585-80-LF-SR

Threaded

DIMENSIONS—WEIGHTS

| Size | Dimensions | | | | | | | | | | | | | | | | |
|-------|------------|------|-----|------|-----|------|-----|------|-----|------|-----|------|-----|------|------|------|------|
| | A | | B | | C | | H | | L | | LA | | LB | | Lbs. | Kg | |
| In. | mm. | In. | mm. | In. | mm. | In. | mm. | In. | mm. | In. | mm. | In. | mm. | In. | | | mm. |
| 1/4 | 6.35 | 1.81 | 46 | 1.57 | 40 | 0.31 | 8 | 1.63 | 41 | 7.11 | 181 | 4.84 | 123 | 5.79 | 147 | 1.03 | 0.47 |
| 3/8 | 9.53 | 1.81 | 46 | 1.57 | 40 | 0.38 | 10 | 1.63 | 41 | 7.11 | 181 | 4.84 | 123 | 5.79 | 147 | 1.03 | 0.47 |
| 1/2 | 12.70 | 2.25 | 57 | 1.57 | 40 | 0.50 | 13 | 1.73 | 44 | 7.11 | 181 | 4.84 | 123 | 5.79 | 147 | 1.23 | 0.56 |
| 3/4 | 19.05 | 2.78 | 71 | 2.00 | 51 | 0.75 | 19 | 2.01 | 51 | 7.28 | 185 | 4.92 | 125 | 6.04 | 153 | 1.91 | 0.87 |
| 1 | 25.40 | 3.34 | 85 | 1.97 | 50 | 1.00 | 25 | 2.22 | 56 | 7.28 | 185 | 4.92 | 125 | 6.04 | 153 | 2.41 | 1.09 |
| 1 1/4 | 31.75 | 3.75 | 95 | 2.31 | 59 | 1.25 | 32 | 2.69 | 68 | 9.51 | 242 | 6.50 | 165 | 7.62 | 194 | 3.88 | 1.76 |
| 1 1/2 | 38.10 | 4.25 | 108 | 2.84 | 72 | 1.50 | 38 | 2.91 | 74 | 9.51 | 242 | 6.50 | 165 | 7.62 | 194 | 4.43 | 2.01 |
| 2 | 50.80 | 4.82 | 122 | 3.54 | 90 | 2.00 | 51 | 3.15 | 80 | 9.51 | 242 | 6.50 | 165 | 7.62 | 194 | 6.33 | 2.87 |



WARNING: This product can expose you to chemicals including lead, which is known to the State of California to cause cancer and birth defects or other reproductive harm. For more information go to www.P65Warnings.ca.gov.

Visit our website for the most current information.