

# Stainless Steel Ball Valves

Two-Piece Body • Full Port • Blowout-Proof Stem •  
316 SS Trim • Cast Mounting Pad • Vented Ball

**1000 PSI/69 bar non-shock cold working pressure\***

CONFORMS TO MSS SP-110

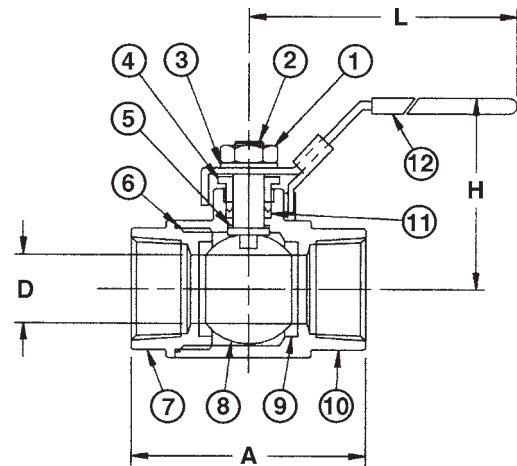
## MATERIAL LIST

PART	SPECIFICATION
1. Handle Nut	Stainless Steel ASTM A 276 Type 304
2. Stem	Stainless Steel ASTM A 276 Type 316
3. Spring Washer	Stainless Steel 304
4. Threaded Pack Gland	Stainless Steel ASTM A 276 Type 316
5. Thrust Washer	Carbon Filled PTFE
6. Gasket	PTFE
7. Body End Piece	Stainless Steel ASTM A 351 Type CF8M
8. Ball (Vented)	Stainless Steel ASTM A 276 Type 316 or ASTM A 351 Type CF8M
9. Seat (2)	Reinforced PTFE
10. Body	Stainless Steel ASTM A 351 Type CF8M
11. Stem Packing (2)	Carbon Filled PTFE
12. Locking Handle	Stainless Steel ASTM A 240 Type 304

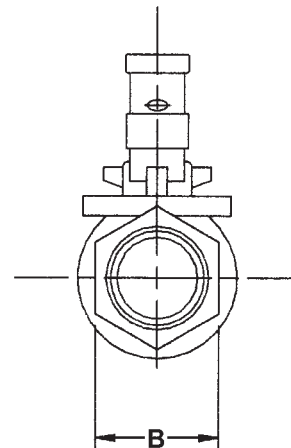
**NOTE:** valves are static grounded by thrust washer and packing.  
Valves tested in accordance with ASME B16.34



**T-585-S6-R-66-LL**  
Threaded



**T-585-S6-R-66-LL**  
NPT x NPT



## DIMENSIONS—WEIGHTS—QUANTITIES

Size	Dimensions						T-585-S6-R-66-LL		Master Ctn.	Qty.
	A	B	D	H	L	Lbs.	Kg.			
In. mm.	In. mm.	In. mm.	In. mm.	In. mm.	In. mm.					
1/4	8 2.21	56 .83	21 .43	11 .20	56 4.21	107 .59	.27	10		
3/8	10 2.21	56 .83	21 .43	11 2.20	56 4.21	107 .56	.25	10		
1/2	15 2.60	66 1.02	26 .56	14 2.30	58 4.21	107 .75	.34	10		
3/4	20 2.99	76 1.28	33 .81	21 2.79	71 5.73	146 1.47	.67	10		
1	25 3.54	90 1.56	40 1.00	25 2.96	75 5.73	146 2.21	1.00	10		
1 1/4	32 3.94	100 1.97	50 1.25	35 3.56	90 7.45	189 3.42	1.55	5		
1 1/2	40 4.41	112 2.20	66 1.50	38 3.84	98 7.45	189 5.20	2.36	5		
2	50 5.00	127 2.76	69 2.00	50 4.24	108 8.08	205 7.99	3.63	5		

◆ For detailed operating pressure, refer to pressure temperature chart on pages 71 and 72.

Visit our website for the most current information.