

Stainless Steel Ball Valves

Three-Piece Body • Full Port • Blowout-Proof Stem • Full Port •
316 SS Trim • Vented Ball

1000 PSI/69 bar non-shock cold working pressure*

CONFORMS TO MSS SP-110

MATERIAL LIST

PART	SPECIFICATION
1. Handle Nut	Stainless Steel ASTM A 276 Type 304
2. Stem	Stainless Steel ASTM A 276 Type 316
3. Lock Washer	Stainless Steel 304
4. Stem Packing (1 Set)	Carbon Filled PTFE
5. Thrust Washer	Carbon Filled PTFE
6. Cap Bolt (4)	Stainless Steel ASTM A 193 B8 Type 304
7. Union Seal (2)	Reinforced PTFE
8. Ball (Vented)	Stainless Steel ASTM A 276 Type 316 or ASTM A 351 Type CF8M
9. Body	Stainless Steel ASTM A 351 Type CF8M
10. Seat (2)	Reinforced PTFE
11. ¹ Body End (2)	Stainless Steel ASTM A 351 Type CF8M
12. Lock Washer (4)	Stainless Steel 304
13. Threaded Pack Gland	Stainless Steel ASTM A 276 Type 316
14. Locking Handle	Stainless Steel ASTM A 240 Type 304
15. Cap Nut (4)	Stainless Steel 304

NOTE: valves are static grounded by thrust washer and packing.

¹ Threaded ends: CF8M, socket weld ends: CF3M.

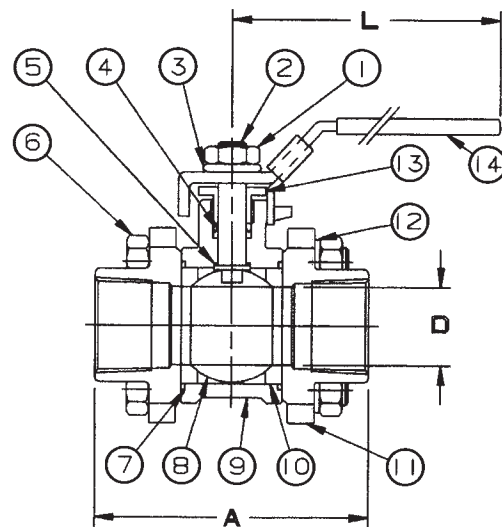


T-595-S6-R-66-LL

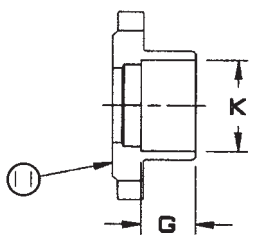
Threaded

K-595-S6-R-66-LL

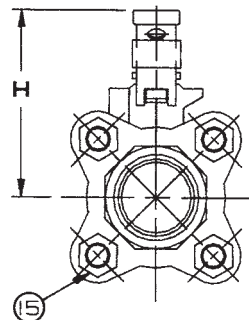
Socket Weld (1/2"-2")



T/K-595-S6-R-66-LL
NPT x NPT or SOC x SOC



SOCKET WELD ENDS



DIMENSIONS—WEIGHTS—QUANTITIES

Size	Dimensions						L		T or K-595-S6-R-66-LL		Master Ctn. Qty.
	A	D	G	K	H	L	Lbs.	Kg.			
In. mm.	In. mm.	In. mm.	In. mm.	In. mm.	In. mm.	In. mm.	Lbs.	Kg.			
1/4 8	2.36 60	.34 9	— —	— —	2.18 55	4.17 106	.97	.44	10		
3/8 10	2.36 60	.34 9	— —	— —	2.18 55	4.17 106	.97	.44	10		
1/2 15	2.76 70	.56 14	.38 10	.86 22	2.38 60	4.17 106	1.23	.56	10		
3/4 20	3.03 77	.81 21	.50 13	1.07 27	2.87 73	5.71 145	1.91	.87	10		
1 25	3.62 92	1.00 25	.50 13	1.34 34	2.95 75	5.71 145	2.93	1.33	8		
1 1/4 32	4.13 105	1.25 32	.50 13	1.69 43	3.66 93	7.36 187	4.27	1.94	5		
1 1/2 40	4.72 110	1.50 38	.50 13	1.93 49	3.94 100	7.36 187	6.01	2.73	5		
2 50	5.43 138	1.97 50	.62 16	2.42 61	4.25 108	7.95 202	9.50	4.32	5		

◆ For detailed operating pressure, refer to pressure temperature chart on pages 71 and 72.

Visit our website for the most current information.