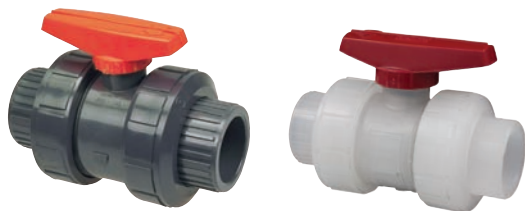


Black and Chem-Pure® (Natural) Polypropylene Tru-Bloc® True Union Ball Valve, Model C



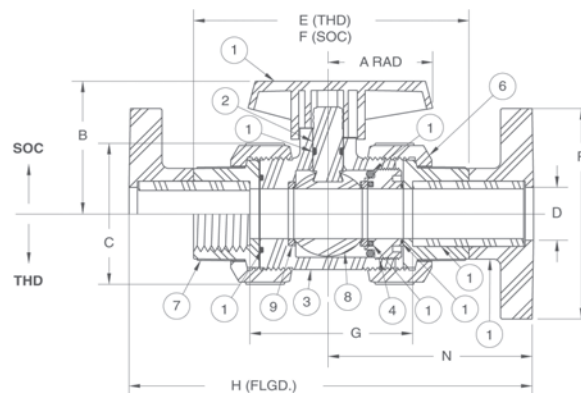
Construction Materials

Components ¹	Black PP	Nat. PP
1. Handle	Red PVC	
2. Stem	Nat. PP	Nat. PP
3. Body	Black PP	Nat. PP
4. Seat-Carrier	Nat. PP	Nat. PP
6. Union Nut	Black PP	Nat. PP
7. End Connector	Black PP	Nat. PP
8. Ball	Nat. GBPP ⁴	Nat. GBPP ⁴
9. Seat ² ; (2 ea.)	PTFE	
10. O-Ring ³ – Seat-Carrier; End Seal	FKM	
11. O-Ring ³ – Body; End Seal		
12. O-Ring ³ – Stem; OD Seal		
13. O-Ring ³ – Seat-Carrier; OD Seal		
14. O-Ring ³ – Seat-Carrier; Seat Energizer		
15. Plain-End Nipple; 2 ea. Spg x Spg	Black PP	N.A.
16. Flange – 2 ea. Socket-End	Black PP	N.A.
17. Stem; Friction Washer (4" Only)	PTFE	
18. Handle Bolt (4" Only)	Nat. PP	

- 1 All components except valve bodies are available as replacement parts.
 2 Each replacement PTFE seat kit contains two seats.
 3 Each replacement O-ring kit contains all the O-rings required to refurbish a particular size True Union Ball or Check Valve (regardless of model or style), or a minimum of two pipe unions.
 4 Polypropylene filled with glass micro-beads.

Features

- Rated at 150 psi with non-shock water service at 73°F
- Designed with an energizer O-ring beneath the seat-carrier, Model C valves automatically adjust for seat wear.
- Full port design produces minimum flow restriction with the lowest possible pressure-drop.
- Valves are manufactured and assembled without exposure to silicone compounds.
- Distinctive red handle indicates “open/close” and direction of flow at a distance.



Chemtrol Figure Numbers

Valve Sizes	Materials	Elastomeric Trim	End Connections		
			Soc.	Thd.	Flgd.
1/2" – 4"	Black Polypro	FKM	S61TB-V ¹	T61TB-V ¹	F61TB-V ¹
1/2" – 4"	Natural Polypro	FKM	S62TB-V ²	T62TB-V ²	NA ²

- 1 Flanged figures are not available in the 1 1/4" size.
 2 Socket Chem-Pure® (natural PP) Valves are available in the range of sizes shown except for the 1 1/4" size. Socket valves may be converted to threaded by exchanging the socket end connector with a threaded end connector. Flanged figures are not available.

Dimensions–Weights–Flow Coefficients

Valve Size	Profile						End-to-End					Fluid Flow Coefficient
	A ¹	B	C	D	N	P	E Thd.	F Soc.	G Soc.	H Flgd.	Approx. ² Wt. Lbs.	C _v ³
1/2	1.70	1.94	1.96	0.50	2.98	3.44	4.19	4.19	2.49	6.04	0.32	22
3/4	2.12	2.50	2.41	0.75	3.63	3.82	5.00	5.00	3.05	7.32	0.58	56
1	2.12	2.69	2.76	1.00	4.13	4.20	5.50	5.50	3.30	8.06	0.76	113
1 1/4	2.56	3.74	4.01	1.25	4.70	4.55	6.47	N/A	N/A	N/A	1.69	180
1 1/2	2.56	3.74	4.01	1.50	4.98	4.91	6.76	6.76	4.06	9.92	1.79	288
2	2.92	4.25	5.13	2.00	5.78	5.87	8.01	8.01	5.06	11.41	3.52	544
3	4.00	5.59	7.04	2.97	7.42	7.41	10.39	10.39	6.70	14.87	7.98	1348
4	8.00	6.05	8.59	4.01	8.52	8.85	12.22	12.22	7.78	17.52	15.78	2602

- 1 Handle is not symmetrical about centerline. Dimension shown represents the longest operational radius, but the handle position must be rotated 180° from that shown for the 4" size.
 2 Weight shown represents the polypropylene threaded figure.
 3 C_v values were computed for basic valve laying lengths (G).
 4 No flanged figures are offered in any size for natural PP.