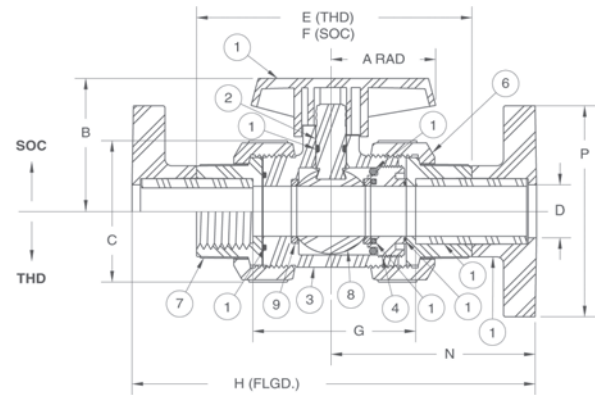


Red and Natural Kynar® PVDF Tru-Bloc® True Union Ball Valve, Model C



Features

- Rated at 150 psi with non-shock water service at 73°F
- Designed with an energizer O-ring beneath the seat-carrier, Model C valves automatically adjust for seat wear
- Full port design produces minimum flow restriction with the lowest possible pressure-drop
- Valves are manufactured and assembled without exposure to silicone compounds
- Distinctive black handle indicates “open/close” and direction of flow at a distance



Chemtrol Figure Numbers

Valve Sizes	Material	Elastomeric Trim	End Connections		
			Soc.	Thd.	Flgd.
1/2"– 4"	Red PVDF ¹	FKM	S65TB-V	T65TB-V	F65TB-V
1/2"– 4"	Natural PVDF ¹	FKM	S66TB-V	T66TB-V	F66TB-V

¹ No Kynar® pipe, fittings, or valves are offered in the 1 1/4" size.

Construction Materials		
Components¹	Red PVDF	Nat. PVDF
1. Handle	Black PP	
2. Stem	Nat. PVDF	Nat. PVDF
3. Body	Red PVDF	Nat. PVDF
4. Seat-Carrier	Nat. PVDF	Nat. PVDF
6. Union Nut	Red PVDF	Nat. PVDF
7. End Connector	Red PVDF	Nat. PVDF
8. Ball	Nat. PVDF	Nat. PVDF
9. Seat ² ; (2 ea.)	PTFE	
10. O-Ring ³ – Seat-Carrier; End Seal	FKM	
11. O-Ring ³ – Body; End Seal		
12. O-Ring ³ – Stem; OD Seal		
13. O-Ring ³ – Seat-Carrier; OD Seal		
14. O-Ring ³ – Seat-Carrier; Seat Energizer		
15. Plain-End Nipple; 2 ea. Spg x Spg	Red PVDF	Nat. PVDF
16. Flange – 2 ea. Socket-End	Red PVDF	Nat. PVDF
17. Stem; Friction Washer (4" Only)	PTFE	
18. Handle Bolt (4" Only)	Nat. PP	

- ¹ All components except valve bodies are available as replacement parts.
² Each replacement PTFE seat kit contains two seats.
³ Each replacement O-ring kit contains all the O-rings required to refurbish a particular size True Union Ball or Check Valve (regardless of model or style), or a minimum of two pipe unions.

Dimensions—Weights—Flow Coefficients

Valve Size ⁴	Profile						End-to-End					Fluid Flow Coefficient
	A ¹	B	C	D	N	P	E	F	G	H	Approx. ²	C _v ³
	Thd.	Soc.	Soc.	Flgd.	Wt. Lbs.							
1/2	1.70	1.94	1.95	0.50	2.98	3.41	4.19	4.19	2.49	6.04	0.47	22
3/4	2.12	2.50	2.36	0.75	3.63	3.77	5.00	5.00	3.05	7.32	0.84	55
1	2.12	2.69	2.75	1.00	4.13	4.15	5.50	5.50	3.30	8.06	1.15	112
1 1/2	2.56	3.74	3.98	1.50	4.98	4.86	6.76	6.76	4.06	9.92	2.59	285
2	2.92	4.25	5.13	2.00	5.78	5.82	8.01	8.01	5.06	11.41	5.30	540
3	4.00	5.59	6.99	2.90	7.42	7.31	10.39	10.39	6.70	14.87	12.58	1348
4	8.00	6.05	8.54	3.95	8.52	8.70	12.22	12.22	7.78	17.52	24.41	2602

- ¹ Handle is not symmetrical about the centerline. Dimension shown represents the longest operational radius, but the handle position must be rotated 180° from that shown for the 4" size.
² Weight shown represents the socket figure.
³ C_v values were computed for the basic valve laying lengths (G).
⁴ No pipe, fittings, or valves are offered in the 1 1/4" size.