

Carbon Steel Ball Valves with Spring Return Handle

Spring Return Handle to Close • Two-Piece Investment Cast Body • Conventional Port •
Blowout-Proof Stem • 316 SS Trim • Vented Ball

2000 PSI/138 Bar Non-Shock Cold Working Pressure*

CONFORMS TO MSS SP-110 & NACE MR0175

MATERIAL LIST

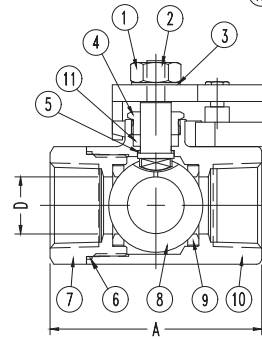
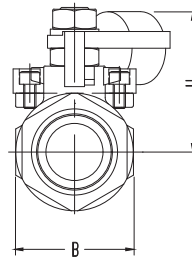
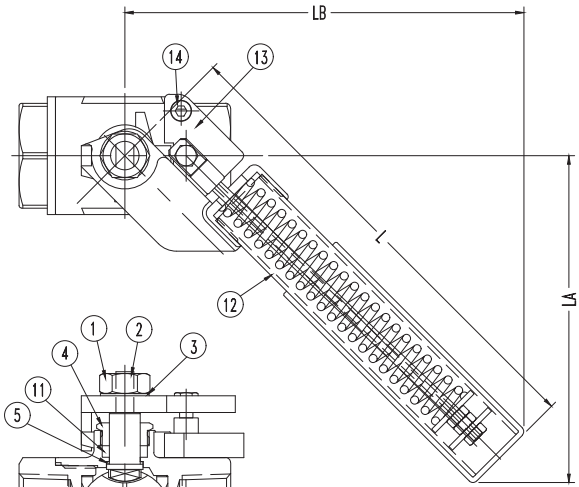
PART	SPECIFICATION
1. Handle Nut	Stainless Steel Type 304
2. Stem	Stainless Steel Type 316
3. Lock Washer	Stainless Steel Type 304
4. Threaded Pack Gland	Stainless Steel Type 316
5. Thrust Washer	Carbon Filled PTFE
6. Gasket	Reinforced PTFE
7. Body End Piece	Carbon Steel ASTM A216 Grade WCB (Investment Cast)*
8. Ball (Vented)	Stainless Steel ASTM A276 Type 316 or ASTM A351 Type CF8M**
9. Seats (2)	Reinforced PTFE
10. Body	Carbon Steel ASTM A216 Grade WCB (Investment Cast)
11. Stem Packing	Carbon Filled PTFE
12. Handle	Stainless Steel Type 316 & 304 w/Vinyl Cover
13. Mounting Plate	Stainless Steel ASTM A351 Type CF8M
14. Socket Head Cap Screw (2)	Stainless Steel Type 304

NOTE: Valves are static grounded by thrust washer and packing.

**Threaded and Press Lead Free
Bronze Ball Valve options available.
See Lead-free Valve Catalog.**



TC-580-CS-R-66-SR
Threaded



TC-580-CS-R-66-SR
NPT x NPT

DIMENSIONS—WEIGHTS—QUANTITIES

Size	Dimensions								TC-580-CS-R-66-SR Master					
	A		B		D		H		L	LA	LB	Lbs.	Kg.	Ctn. Qty.
In. mm.	In. mm.	In. mm.	In. mm.	In. mm.	In. mm.	In. mm.	In. mm.	In. mm.	In. mm.	In. mm.	In. mm.			
¼	8	2.08 52.80	0.94 24.00	0.37 9.50	1.54 39.25	7.09 180.00	4.88 123.93	5.74 145.85	0.60 0.27	10				
¾	10	2.08 52.80	0.94 24.00	0.37 9.50	1.54 39.25	7.09 180.00	4.88 123.93	5.74 145.85	0.75 0.34	10				
½	15	2.34 59.50	1.18 30.00	0.50 12.70	1.69 42.95	7.09 180.00	4.88 123.93	5.74 145.85	1.34 0.61	8				
¾	20	2.80 71.00	1.50 38.00	0.69 17.50	2.02 51.25	7.28 185.00	4.92 124.99	5.98 151.86	2.05 0.93	8				
1	25	3.26 82.70	1.81 46.00	0.87 22.20	2.16 54.85	7.28 185.00	4.92 124.99	5.98 151.86	2.05 0.93	8				
1 ¼	32	3.60 91.4	2.09 53.00	1.00 24.40	2.41 61.21	9.25 235.00	6.30 160.00	6.71 170.50	3.42 1.55	2				
1 ½	40	4.06 103.0	2.52 64.00	1.25 31.75	2.60 66.01	9.25 235.00	6.30 160.00	6.71 170.50	4.66 2.11	2				
2	50	4.65 118.0	3.03 77.00	1.50 38.10	2.87 72.81	9.25 235.00	6.30 160.00	6.71 170.50	6.44 2.92	2				

◆ For detailed operating pressure, refer to pressure temperature chart on pages 71 and 72 in the Ball catalog.

WARNING: This product can expose you to chemicals including lead, which is known to the State of California to cause cancer and birth defects or other reproductive harm. For more information go to www.P65Warnings.ca.gov.

Visit our website for the most current information.