

Carbon Steel Ball Valves

Three-Piece Body • Threaded, Butt or Socket Weld Ends • Blowout-Proof Stem • Conventional Port • Enclosed Bolt Design • PTFE Seats • SS Trim • Cast ISO Mounting Pad • Vented Ball • Fire Safe

2000 PSI/138 Bar Non-Shock Cold Working Pressure*

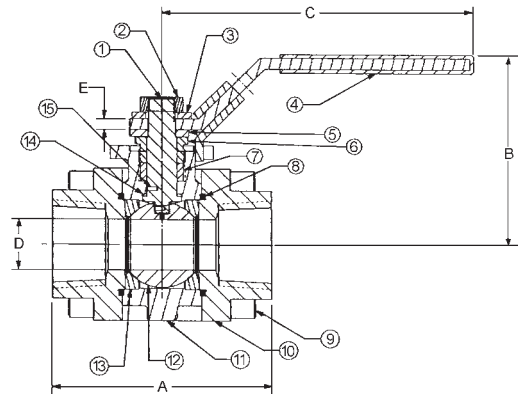
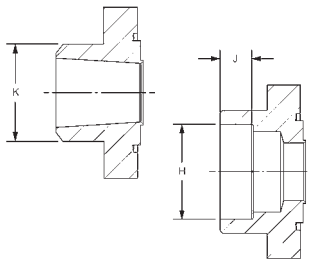
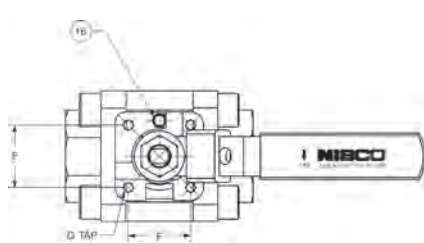
CONFORMS TO API-607 FOURTH EDITION FIRE SAFE • MSS SP-110 • MSS SP-72 (BUTT WELD) • API 608 ANTI-STATIC FEATURE



MATERIAL LIST

PART	SPECIFICATION
1. Stem	Stainless Steel ASTM A 276 Type 316
2. Handle Nut	Stainless Steel ASTM A 276 Type 304
3. Lock Washer	Stainless Steel ASTM A 240 Type 304
4. Locking Handle	Stainless Steel ASTM A 240 Type 304
5. Stop Plate	Stainless Steel ASTM A 240 Type 304
6. Pack Gland	Stainless Steel ASTM A 276 Type 316
7. Stem Packing	Graphite
8. Body End Seal	Graphite
9. Bolt	Carbon Steel ASTM A 193 Grade B7
10. Body End	Carbon Steel ASTM A 216 Grade WCB Phosphate Coated
11. Body	Carbon Steel ASTM A 216 Grade WCB Phosphate Coated
12. Ball (Vented)	Stainless Steel ASTM A 276 Type 316 or ASTM A 351 Type CF8M
13. Seat	Reinforced PTFE 15% Glass
14. Thrust Washer	Reinforced PTFE 15% Glass
15. Static Grounding Devices	Stainless Steel ASTM A 276 Type 304
16. Stop Pin	Stainless Steel ASTM A 276 Type 304

Note: valves are static grounded by two ball detents that insure electro-continuity between the stem body and ball. The valve has electro-continuity across the discharge path with a resistance of not more than 10 ohms.



TM 590-CS-R-66-FS-LL
NPT x NPT

TM-590-CS-R-66-FS-LL

Threaded
Stainless Steel Trim
ISO Mount Pad

KM-590-CS-R-66-FS-LL

Socket Weld
Stainless Steel Trim
ISO Mount Pad

BM-590-CS-R-66-FS-LL

Butt Weld
Stainless Steel Trim
ISO Mount Pad

DIMENSIONS—WEIGHTS—QUANTITIES

Size	Dimensions												Threaded Weight	Socket Weld Weight	Butt Weld Weight												
	A	B	C	D	E	F	G		H	J	K	Threaded Weight				Socket Weld Weight	Butt Weld Weight										
In. mm.	In. mm.	In. mm.	In. mm.	In. mm.	In. mm.	In. mm.	In. mm.	Tap	Flange Type	Socket Weld	Socket Weld	Butt Weld	Lbs.	Kg.	Lbs.	Kg.	Lbs.	Kg.									
½	15	2.72	69	2.47	63	4.07	103	.43	11	.12	3	1.00	25	M5	F03	1.08	27	.58	10	.84	21	1.80	.82	1.70	.78	1.60	.73
¾	20	2.94	75	2.70	69	4.07	103	.57	14	.12	3	1.00	25	M5	F03	1.08	27	.50	13	1.05	27	2.40	1.09	2.30	1.05	2.20	1.00
1	25	3.50	89	3.19	81	4.92	125	.81	21	.18	5	1.17	30	M5	F04	1.34	34	.50	13	1.32	34	3.80	1.73	3.60	1.64	3.50	1.59
1¼	32	3.90	99	3.64	92	5.91	150	.98	25	.20	5	1.17	30	M5	F04	1.69	43	.50	13	1.66	42	5.90	2.68	5.70	2.59	5.60	2.55
1½	40	4.42	112	3.88	99	7.68	195	1.25	32	.23	8	1.39	35	M6	F05	1.93	49	.50	13	1.90	48	7.60	3.45	7.40	3.36	7.30	1.61
2	50	5.04	128	4.09	104	7.68	195	1.50	38	.23	8	1.39	35	M6	F05	2.42	61	.62	16	2.38	60	10.50	4.77	10.30	4.68	10.20	4.64

◆For detailed operating pressure, refer to pressure temperature chart on pages 71 and 72.

Visit our website for the most current information.