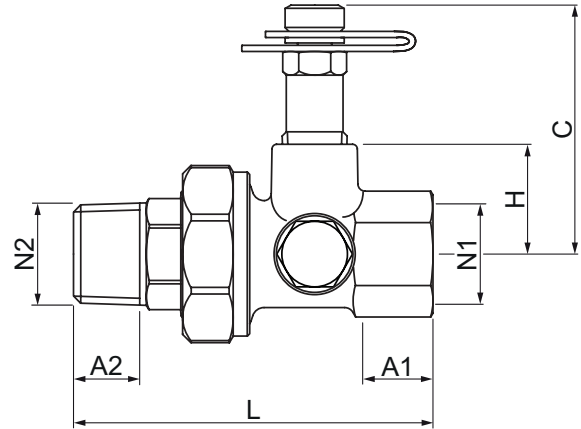


# TMT-1800 DZR Brass Union with Test Point

## NPT Threaded End x NPT Male Threaded End - ½" to 2"



MATERIAL LIST	
PART	SPECIFICATION
Body	Brass - UNS C35330 (DZR)
Union Nut	Brass - UNS C35330 (DZR)
Connector	Brass - UNS C35330 (DZR)
O-ring	EPDM
Test Point	Brass - UNS C35330 (DZR)
Plug (2)	Brass - UNS C35330 (DZR)



DIMENSIONS - In.								
Size	L	A1	A2	H	C	N1	N2	Weight Lbs.
½"	2.99	0.59	0.55	0.92	2.11	½" - 14 NPT	½" - 14 NPT	0.54
¾"	3.01	0.59	0.55	1.02	2.20	¾" - 14 NPT	¾" - 14 NPT	0.65
1"	3.25	0.65	0.67	1.14	2.32	1" - 11.5 NPT	1" - 11.5 NPT	0.88
1¼"	3.48	0.67	0.69	1.32	2.50	1¼" - 11.5 NPT	1¼" - 11.5 NPT	1.51
1½"	3.61	0.67	0.69	1.44	2.61	1½" - 11.5 NPT	1½" - 11.5 NPT	1.58
2"	3.77	0.69	0.71	1.67	2.85	2" - 11.5 NPT	2" - 11.5 NPT	2.19

**600 PSI Non-Shock Cold Working Pressure at 100°F**  
**Maximum Temperature 250°F at 200 PSI**

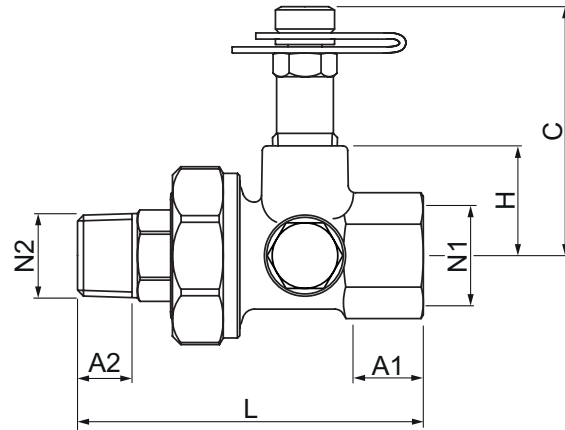
Project: \_\_\_\_\_  
 Contractor: \_\_\_\_\_  
 PO/Job No.: \_\_\_\_\_  
 Engineer: \_\_\_\_\_  
 Representative: \_\_\_\_\_  
 Date: \_\_\_\_\_

# TMT-1800R DZR Brass Union with Test Point

## NPT Threaded End x NPT Male Threaded End - 1/2" to 2"



MATERIAL LIST	
PART	SPECIFICATION
Body	Brass - UNS C35330 (DZR)
Union Nut	Brass - UNS C35330 (DZR)
Connector	Brass - UNS C35330 (DZR)
O-ring	EPDM
Test Point	Brass - UNS C35330 (DZR)
Plug (2)	Brass - UNS C35330 (DZR)



DIMENSIONS - In.								
Size	L	A1	A2	H	C	N1 - Thread	N2 - Thread	Weight Lbs.
3/4" x 1/2"	2.99	0.59	0.55	1.02	2.20	3/4" - 14 NPT	1/2" - 14 NPT	0.65
1" x 1/2"	3.11	0.65	0.55	1.14	2.32	1" - 11.5 NPT	1/2" - 14 NPT	0.78
1" x 3/4"	3.11	0.65	0.55	1.14	2.32	1" - 11.5 NPT	3/4" - 14 NPT	0.82
1 1/4" x 3/4"	3.27	0.67	0.55	1.32	2.50	1 1/4" - 11.5 NPT	3/4" - 14 NPT	1.06
1 1/4" x 1"	3.42	0.67	0.67	1.32	2.50	1 1/4" - 11.5 NPT	1" - 11.5 NPT	1.23
1 1/2" x 1"	3.52	0.67	0.67	1.44	2.61	1 1/2" - 11.5 NPT	1" - 11.5 NPT	1.51
1 1/2" x 1 1/4"	3.57	0.67	0.69	1.44	2.61	1 1/2" - 11.5 NPT	1 1/4" - 11.5 NPT	1.57
2" x 1 1/4"	3.67	0.69	0.69	1.67	2.85	2" - 11.5 NPT	1 1/4" - 11.5 NPT	2.08
2" x 1 1/2"	3.77	0.69	0.71	1.67	2.85	2" - 11.5 NPT	1 1/2" - 11.5 NPT	2.07

**600 PSI Non-Shock Cold Working Pressure at 100°F**  
**Maximum Temperature 250°F at 200 PSI**

Project: \_\_\_\_\_  
 Contractor: \_\_\_\_\_  
 PO/Job No.: \_\_\_\_\_  
 Engineer: \_\_\_\_\_  
 Representative: \_\_\_\_\_  
 Date: \_\_\_\_\_