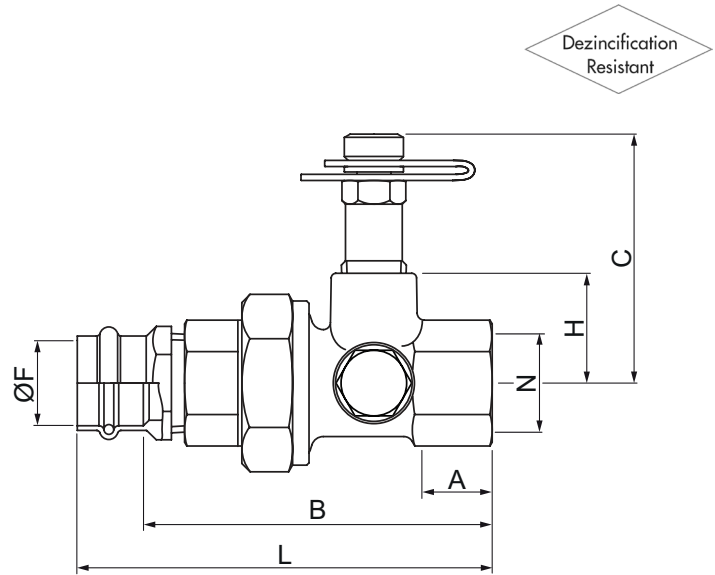


# TPC-1800 DZR Brass Union with Test Point

## NPT Threaded End x Press End - 1/2" to 2"

| MATERIAL LIST    |                          |
|------------------|--------------------------|
| PART             | SPECIFICATION            |
| Body             | Brass - UNS C35330 (DZR) |
| Union Nut        | Brass - UNS C35330 (DZR) |
| Connector        | Brass - UNS C35330 (DZR) |
| O-ring           | EPDM                     |
| Test Point       | Brass - UNS C35330 (DZR) |
| Plug (2)         | Brass - UNS C35330 (DZR) |
| Press End        | Copper - ASTM B75 C12200 |
| Press End O-ring | EPDM                     |



| DIMENSIONS - In. |      |      |      |      |      |      |                   |             |
|------------------|------|------|------|------|------|------|-------------------|-------------|
| Size             | L    | A    | B    | C    | H    | ØE   | N                 | Weight Lbs. |
| 1/2"             | 3.64 | 0.59 | 2.95 | 2.06 | 0.86 | 0.63 | 1/2" - 14 NPT     | 0.66        |
| 3/4"             | 4.00 | 0.59 | 3.12 | 2.17 | 0.97 | 0.88 | 3/4" - 14 NPT     | 0.87        |
| 1"               | 4.09 | 0.65 | 3.22 | 2.29 | 1.09 | 1.13 | 1" - 11.5 NPT     | 1.10        |
| 1 1/4"           | 4.65 | 0.67 | 3.65 | 2.47 | 1.17 | 1.38 | 1 1/4" - 11.5 NPT | 1.64        |
| 1 1/2"           | 5.17 | 0.67 | 3.79 | 2.59 | 1.39 | 1.63 | 1 1/2" - 11.5 NPT | 2.14        |
| 2"               | 5.30 | 0.70 | 3.80 | 2.82 | 1.62 | 2.13 | 2" - 11.5 NPT     | 2.82        |

**200 PSI Non-Shock Cold Working Pressure at 250°F**  
**Maximum Temperature 250°F at 200 PSI**

Project: \_\_\_\_\_

Contractor: \_\_\_\_\_

PO/Job No.: \_\_\_\_\_

Engineer: \_\_\_\_\_

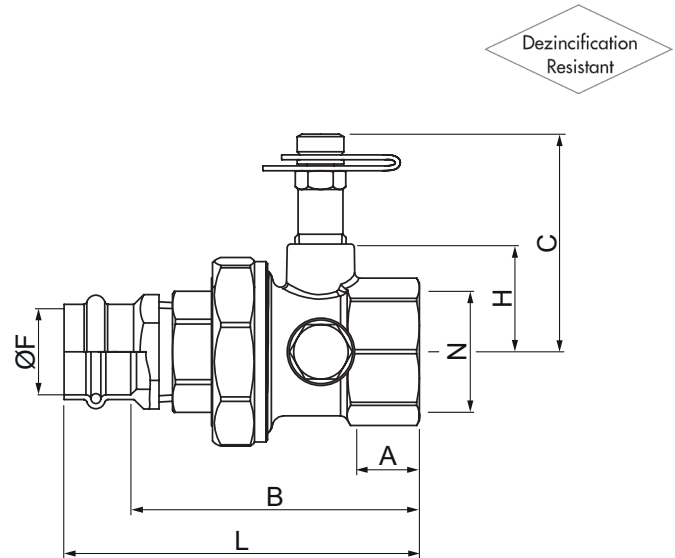
Representative: \_\_\_\_\_

Date: \_\_\_\_\_

# TPC-1800R DZR Brass Union with Test Point

## NPT Threaded End x Press End - 1/2" to 2"

| MATERIAL LIST    |                          |
|------------------|--------------------------|
| PART             | SPECIFICATION            |
| Body             | Brass - UNS C35330 (DZR) |
| Union Nut        | Brass - UNS C35330 (DZR) |
| Connector        | Brass - UNS C35330 (DZR) |
| O-ring           | EPDM                     |
| Test Point       | Brass - UNS C35330 (DZR) |
| Plug (2)         | Brass - UNS C35330 (DZR) |
| Press End        | Copper - ASTM B75 C12200 |
| Press End O-ring | EPDM                     |



| DIMENSIONS - In. |      |      |      |      |      |      |                   |             |
|------------------|------|------|------|------|------|------|-------------------|-------------|
| Size             | L    | A    | B    | C    | H    | ØF   | N -Thread         | Weight Lbs. |
| 3/4" x 1/2"      | 3.64 | 0.59 | 2.95 | 2.17 | 1.02 | 0.63 | 3/4" - 14 NPT     | 0.75        |
| 1" x 1/2"        | 3.70 | 0.65 | 3.01 | 2.29 | 1.14 | 0.63 | 1" - 11.5 NPT     | 0.92        |
| 1" x 3/4"        | 4.06 | 0.65 | 3.18 | 2.29 | 1.14 | 0.88 | 1" - 11.5 NPT     | 1.00        |
| 1 1/4" x 3/4"    | 4.16 | 0.67 | 3.28 | 2.47 | 1.32 | 0.88 | 1 1/4" - 11.5 NPT | 1.38        |
| 1 1/4" x 1"      | 4.23 | 0.67 | 3.35 | 2.47 | 1.32 | 1.13 | 1 1/4" - 11.5 NPT | 1.45        |
| 1 1/2" x 1"      | 4.29 | 0.67 | 3.41 | 2.59 | 1.44 | 1.13 | 1 1/2" - 11.5 NPT | 1.76        |
| 1 1/2" x 1 1/4"  | 4.71 | 0.67 | 3.71 | 2.59 | 1.44 | 1.38 | 1 1/2" - 11.5 NPT | 1.93        |
| 2" x 1 1/4"      | 4.75 | 0.69 | 3.75 | 2.82 | 1.67 | 1.38 | 2" - 11.5 NPT     | 2.50        |
| 2" x 1 1/2"      | 5.25 | 0.69 | 3.87 | 2.82 | 1.67 | 1.66 | 2" - 11.5 NPT     | 2.70        |

**200 PSI Non-Shock Cold Working Pressure at 250°F**  
**Maximum Temperature 250°F at 200 PSI**

Project: \_\_\_\_\_

Contractor: \_\_\_\_\_

PO/Job No.: \_\_\_\_\_

Engineer: \_\_\_\_\_

Representative: \_\_\_\_\_

Date: \_\_\_\_\_