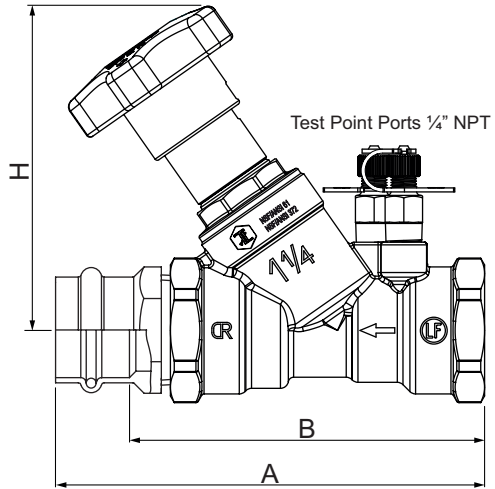


# TPC-1810 DZR Brass Fixed Orifice Circuit Balancing Valve - Press End - 1/2" to 2"

Dezincification  
Resistant

DIMENSIONS - In.						
Size	Cv - Full Open	Cvs	A	B	H	Weight Lbs.
1/2" - U	0.605	0.64	4.49	3.80	4.06	1.34
1/2" - L	0.985	1.33	4.49	3.80	4.06	1.34
1/2"	2.22	3.24	4.49	3.80	4.06	1.34
3/4"	4.24	6.16	5.18	4.31	4.06	1.63
1"	7.21	11.24	5.25	4.38	4.06	2.00
1 1/4"	14.50	23.41	6.36	5.36	4.85	3.25
1 1/2"	22.65	34.95	7.19	5.82	4.94	4.20
2"	34.36	63.67	7.96	6.46	5.34	5.75

MATERIAL LIST	
PART	SPECIFICATION
Body	Brass - UNS C35330 (DZR)
Venturi Insert	Brass - UNS C35330 (DZR)
Balancing Cone	Brass - UNS C35330 (DZR)
Gasket Disk	PTFE
Disk	Brass - UNS C35330 (DZR)
O-ring	EPDM
Disk stem	Brass - UNS C35330 (DZR)
Union	Brass - UNS C35330 (DZR)
Stem	Brass - ASTM B124 C37700
Bonnet	Brass - UNS C35330 (DZR)
Indicator Housing	ABS Black Color
Scale	Acetal Resin
Handwheel	ABS Black Color
Test Point (2)	Brass - UNS C35330 (DZR)
Press End	Copper - ASTM B75 C12200



**200 PSI Non-Shock Cold Working Pressure**  
**Maximum Temperature 250°F @ 150 PSI**

**Flow Measurement Accuracy ±3%**

### Accessories



PT Test Point Extension

RECOMMENDED FLOW RANGE		
Size - In.	Flow Range - gpm	
	Min	Max
1/2" - U	0.24	1.0
1/2" - L	0.52	2.0
1/2"	1.2	5.0
3/4"	2.4	10
1"	4.3	18
1 1/4"	9.0	33
1 1/2"	12	49
2"	24	78

Project: \_\_\_\_\_

Contractor: \_\_\_\_\_

PO/Job No.: \_\_\_\_\_

Engineer: \_\_\_\_\_

Representative: \_\_\_\_\_

Date: \_\_\_\_\_