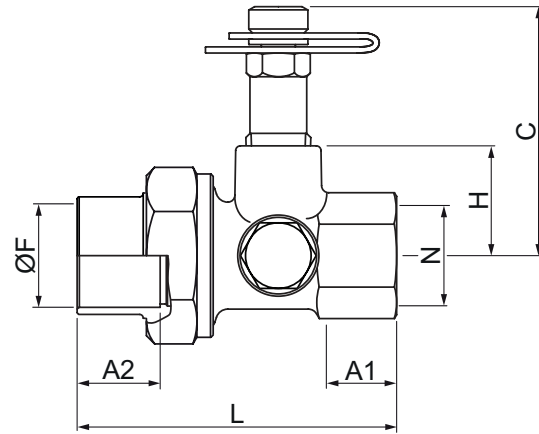


TS-1800 DZR Brass Union with Test Point

NPT Threaded End x Solder End ASME B16.22 - 1/2" to 2"



MATERIAL LIST	
PART	SPECIFICATION
Body	Brass - UNS C35330 (DZR)
Union Nut	Brass - UNS C35330 (DZR)
Connector	Brass - UNS C35330 (DZR)
O-ring	EPDM
Test Point	Brass - UNS C35330 (DZR)
Plug (2)	Brass - UNS C35330 (DZR)



DIMENSIONS - In.								
Size	L	A1	A2	H	C	F	N	Weight Lbs.
1/2"	2.44	0.59	0.50	0.91	2.11	0.63	1/2" - 14 NPT	0.50
3/4"	2.69	0.59	0.75	1.02	2.20	0.88	3/4" - 14 NPT	0.62
1"	2.91	0.65	0.91	1.14	2.32	1.13	1" - 11.5 NPT	0.79
1 1/4"	3.07	0.67	0.96	1.32	2.50	1.38	1 1/4" - 11.5 NPT	1.15
1 1/2"	3.27	0.67	1.10	1.44	2.61	1.63	1 1/2" - 11.5 NPT	1.45
2"	3.56	0.69	1.34	1.67	2.85	2.13	2" - 11.5 NPT	2.00

600 PSI Non-Shock Cold Working Pressure at 100°F
Maximum Temperature 250°F at 200 PSI

Project: _____

Contractor: _____

PO/Job No.: _____

Engineer: _____

Representative: _____

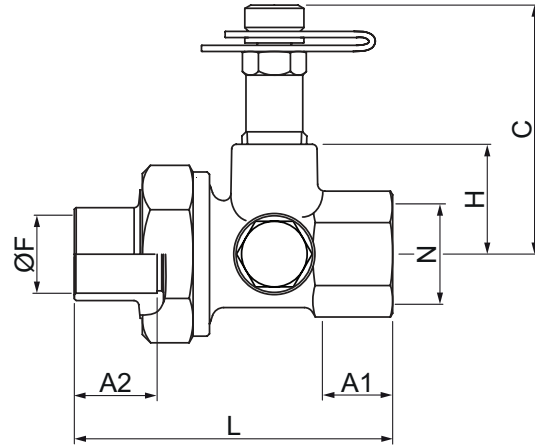
Date: _____

TS-1800R DZR Brass Union with Test Point

NPT Threaded End x Solder End ASME B16.22 - 1/2" to 2"



MATERIAL LIST	
PART	SPECIFICATION
Body	Brass - UNS C35330 (DZR)
Union Nut	Brass - UNS C35330 (DZR)
Connector	Brass - UNS C35330 (DZR)
O-ring	EPDM
Test Point	Brass - UNS C35330 (DZR)
Plug (2)	Brass - UNS C35330 (DZR)



DIMENSIONS - In.								
Size	L	A1	A2	H	C	F	N - Thread	Weight Lbs.
3/4" x 1/2"	2.44	0.59	0.50	1.02	2.20	0.63	3/4" - 14 NPT	0.64
1" x 1/2"	2.50	0.65	0.50	1.14	2.32	0.63	1" - 11.5 NPT	0.81
1" x 3/4"	2.75	0.65	0.75	1.14	2.32	0.88	1" - 11.5 NPT	0.80
1 1/4" x 3/4"	2.85	0.67	0.75	1.32	2.50	0.88	1 1/4" - 11.5 NPT	1.18
1 1/4" x 1"	3.01	0.67	0.91	1.32	2.50	1.13	1 1/4" - 11.5 NPT	1.18
1 1/2" x 1"	3.07	0.67	0.91	1.44	2.61	1.13	1 1/2" - 11.5 NPT	1.48
1 1/2" x 1 1/4"	3.13	0.67	0.96	1.44	2.61	1.38	1 1/2" - 11.5 NPT	1.47
2" x 1 1/4"	3.17	0.69	0.96	1.67	2.85	1.38	2" - 11.5 NPT	2.06
2" x 1 1/2"	3.31	0.69	1.10	1.67	2.85	1.63	2" - 11.5 NPT	2.03

600 PSI Non-Shock Cold Working Pressure at 100°F
Maximum Temperature 250°F at 200 PSI

Project: _____
 Contractor: _____
 PO/Job No.: _____
 Engineer: _____
 Representative: _____
 Date: _____