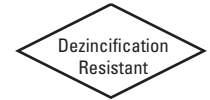


Bronze Ball Valves

Three-Piece Body • Full Port • Thread x Solder End Connections •
Blowout-Proof Stem



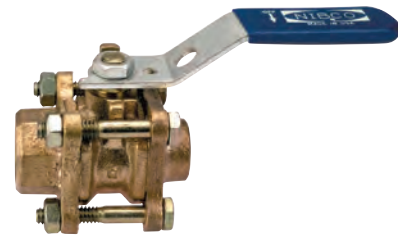
600 PSI/41.4 bar non-shock cold working pressure
150 PSI/10.3 bar saturated steam*

CONFORMS TO MSS SP-110

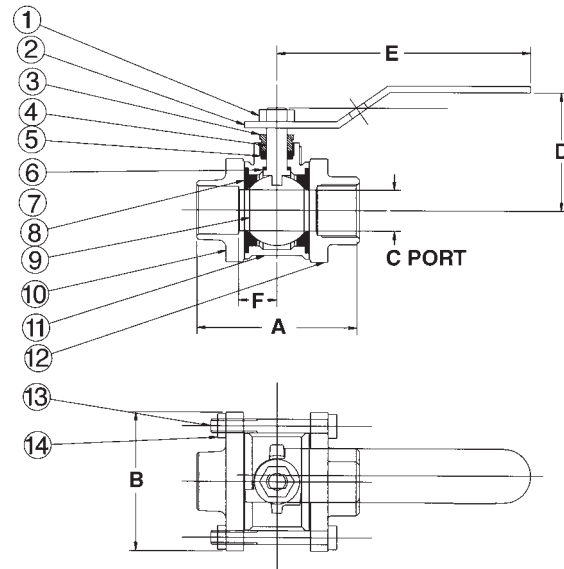
MATERIAL LIST

| PART | SPECIFICATION |
|------------------------|---|
| 1. Handle Nut | Zinc Plated Steel |
| 2. Handle | Zinc Plated Steel Clear Chromate Plastisol Coated |
| 3. Threaded Pack Gland | Brass ASTM B 16 Alloy C36000 |
| 4. Stem | Silicon Bronze ASTM B 371 Alloy C69430 or ASTM B 99 Alloy C65100 |
| 5. Packing | PTFE |
| 6. Thrust Washer | Reinforced PTFE |
| 7. O-Ring Seal (2) | Fluorocarbon Rubber |
| 8. Seat Ring (2) | PTFE |
| 9. Ball | Brass ASTM B 124 Alloy C37700 or ASTM B16 Alloy C36000 EACH with Hard Chrome Plate |
| 10. Solder Body End | Cast Bronze ASTM B 584 Alloy C84400 |
| 11. Body | Bronze ASTM B 584 Alloy C84400 |
| 12. Threaded Body End | Bronze ASTM B 584 Alloy C84400 |
| 13. Body Bolts (4) | Zinc Dichromate Plated Steel ASTM A 449 Grade 5 |
| 14. Body Nuts (4) | Zinc Dichromate Plated Steel |

Note: valves are static grounded by a grounding washer. (not shown)



TS-595-Y
Threaded x Solder



TS-595-Y
C x NPT

DIMENSIONS—WEIGHTS—QUANTITIES

| Size | Dimensions | | | | | | TS-595-Y | Box | Master |
|----------|------------|----------|---------|---------|----------|---------|------------|------|-----------|
| | A | B | C | D | E | F | | | |
| In. mm. | In. mm. | In. mm. | In. mm. | In. mm. | In. mm. | In. mm. | Lbs. Kg. | Qty. | Ctn. Qty. |
| 1/4 8 | 2.09 53 | 1.81 46 | .38 10 | 1.69 43 | 3.90 99 | .56 14 | .94 .43 | 5 | 50 |
| 3/8 10 | 2.16 55 | 1.81 46 | .38 10 | 1.69 43 | 3.90 99 | .56 14 | .94 .43 | 5 | 50 |
| 1/2 15 | 2.28 58 | 1.81 46 | .50 13 | 1.69 43 | 3.90 99 | .56 14 | 1.01 .47 | 5 | 50 |
| 3/4 20 | 2.97 75 | 1.94 49 | .75 19 | 2.00 51 | 4.66 118 | .72 18 | 1.73 .79 | 5 | 30 |
| 1 25 | 3.67 93 | 2.50 64 | 1.00 25 | 2.25 57 | 4.66 118 | .92 23 | 2.75 1.25 | 5 | 20 |
| 1 1/4 32 | 3.97 101 | 2.69 68 | 1.25 32 | 2.75 70 | 6.69 170 | .98 24 | 3.90 1.77 | 2 | 10 |
| 1 1/2 40 | 4.57 116 | 3.00 76 | 1.50 38 | 2.97 75 | 6.69 170 | 1.19 30 | 5.50 2.49 | 2 | 10 |
| 2 50 | 5.97 152 | 4.00 102 | 2.00 51 | 3.63 92 | 6.69 170 | 1.54 39 | 10.27 4.66 | 2 | 4 |

*For detailed operating pressure, refer to pressure temperature chart on page 41.



WARNING: This product can expose you to chemicals including lead, which is known to the State of California to cause cancer and birth defects or other reproductive harm. For more information go to www.P65Warnings.ca.gov.

Visit our website for the most current information.