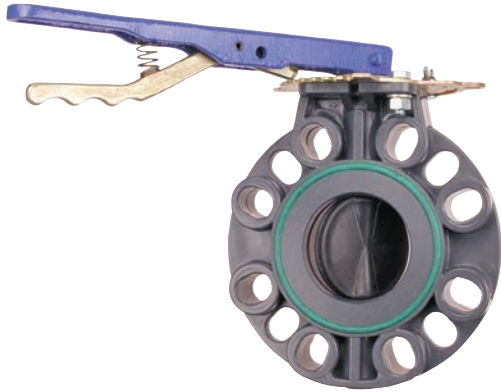


## PVC and CPVC Butterfly Valves, Model C

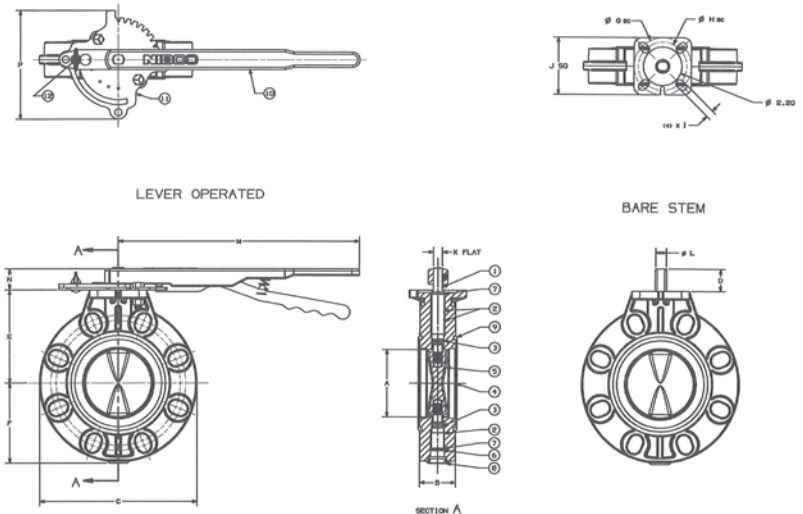


### Features

- Rated at 150 psi with non-shock service at 73°F
- Bolt hole pattern compatible with Class 150 ASME B16.5; BS 1560 class 150; DN 200 ISO 2084 PN 10; and DN 200 DIN EN 1092 PN 10
- Built-in O-ring face-seals require no gaskets between mating flanges.
- A hole in the lever handle provides a blockage point for trigger lock operation, thus, locking the valve in the off position or any of the 9 increments of opening (10° each).
- Black graphite and fluorocarbon lubricant is used to assemble Model C butterfly valves.
- NIBCO electric and pneumatic actuation available.
- Valves with CPVC and/or FKM launching soon. Contact NIBCO Technical Services for currently available sizes and materials.

### Construction Materials

Part	Material
1. Upper Stem	416 Stainless Steel
2. Bushings (3)	Stainless Steel backed PTFE
3. O-Ring Stem Seal (2)	EPDM or FKM
4. Body	CPVC or PVC
5. Disk	EPDM or FKM Encapsulated Ductile Iron
6. Lower Stem	416 Stainless Steel
7. Retaining Ring (2)	304 Stainless Steel
8. Plug	LDPE (Polyethylene)
9. Face o-ring (2)	EPDM or FKM
10. Handle w/Lever	Malleable Iron with Epoxy Coating
11. Throttle Plate	Zinc Plated Steel
12. Position Lock	Zinc Plated Steel



### Cv TABLE MODEL C BUTTERFLY VALVE GPM/1.0 PSI ΔP

VALVE SIZE NPS	DEGREE OPEN								
	10°	20°	30°	40°	50°	60°	70°	80°	90° FULL
2	0	0	3.2	13.2	26.2	44.4	67.5	80	82.7
2.5	0	0	5.5	20.4	35.5	63.4	101	161.8	183.5
3	0	0.7	13.8	36.8	58.7	95.7	154	280.2	312
4	0	0.9	24.3	68.6	128	208.5	338.5	535.3	585.6
6	0	27.7	124.2	220.9	340.1	580.7	854.7	1226.3	1357.8
8	2.8	87	209.8	372.6	648.1	1013.1	1484.1	2353.4	2860
10	6	87.6	340	679	1068.9	1719.2	2724.8	4349.9	5013

### Chemtrol Figure Numbers

Seat Material	Operating Mechanism	PVC	CPVC
EPDM	No Operator	W45BG-E-0	W51BG-E-0
	With Lever Handle <sup>1</sup>	W45BG-E-3	W51BG-E-3
	With Gear Operator	W45BG-E-5	W51BG-E-5
FKM	No Operator	W45BG-V-0	W51BG-V-0
	With Lever Handle <sup>1</sup>	W45BG-V-3	W51BG-V-3
	With Gear Operator	W45BG-V-5	W51BG-V-5

<sup>1</sup> 10" is available with lever handle

### Dimensions—Weights

Valve Size	A	B	C	D	E	F	G	H	I	J	K	L	M	Handle N	P	Approx. <sup>1</sup> Wt./Lbs.
2	1.93	1.69	6.38	1.37	3.94	3.27	3.25	2.75	0.44	3.25	0.37	0.50	10.50	1.19	6.19	
2 1/2	2.44	1.81	7.16	1.28	4.13	3.67	3.25	2.75	0.44	3.25	0.37	0.50	10.50	1.19	6.19	
3	2.86	1.81	7.72	1.21	4.41	3.96	3.25	2.75	0.44	3.25	0.37	0.50	10.50	1.19	6.19	
4	3.83	2.06	8.98	1.26	5.30	4.56	3.25	2.75	0.44	3.25	0.50	0.66	10.50	1.19	6.19	
6	5.75	2.20	11.21	1.28	7.09	5.73	3.25	2.75	0.44	3.25	0.56	0.78	13.75	1.23	6.19	
8	7.73	2.36	13.60	1.36	7.99	6.95	3.25	2.75	0.44	3.25	0.56	0.78	13.75	1.23	6.19	
10	9.56	2.68	16.44	1.34	9.84	8.34	5.00	4.01	0.56	4.75	0.75	1.06	Gear Operator Only			

<sup>1</sup> Operator not included in weight.

Weight is for PVC.

### Maximum Operating Pressure (psi) vs. Temperature

"Operating Temperature (F)"	PVC	CPVC	"Operating Temperature (F)"	PVC	CPVC
100	150	150	150	N.R.	100
110	135	140	160	N.R.	90
120	110	130	170	N.R.	80
130	75	120	180	N.R.	70
140	50	110	190	N.R.	N.R.

N.R. - Not recommended

**WARNING: DO NOT USE OR TEST THE PRODUCTS IN THIS CATALOG WITH COMPRESSED AIR OR OTHER GASES. FAILURE TO FOLLOW THIS WARNING CAN RESULT IN PERSONAL INJURY OR DAMAGE TO PROPERTY.**

Revision 1/2/2018