

285 PSI Butterfly Valves

Ductile Iron Body • Extended Neck • Geometric Drive • Molded-In Seat Liner
• Lug and Wafer Style (not intended for air lines)

Sizes 2" through 12"

Install between Std. ASME Class 125/150 flanges.
285 PSI Bi-directional dead end service with no need
for a downstream flange.

THIRD PARTY CERTIFIED BY QAI TO MEET MSS SP-67 STANDARD •
CERTIFIED LEAD-FREE* BY TRUESDAIL LABS TO NSF/ANSI 61 AND 372



WD-5022
Wafer Style
EPDM Liner
and Stainless
Steel Disc



LD-5022
Lug Style
EPDM Liner
and Stainless
Steel Disc

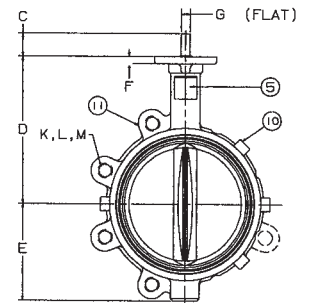
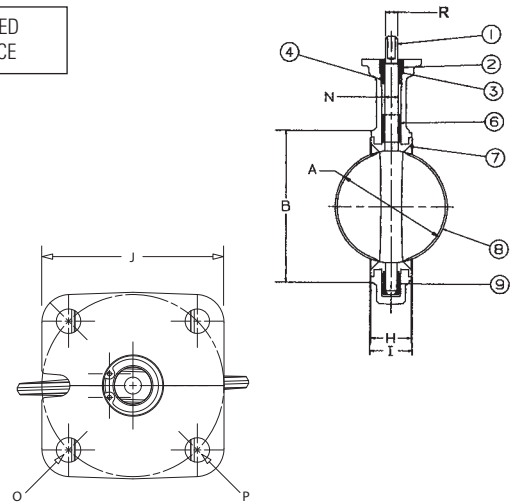
MATERIAL LIST

PART	SPECIFICATION
1. Stem	Stainless Steel ASTM A582 Type 416
2. Collar Bushing	Stainless Steel ASTM A236 Type 316
3. Stem Seal	EPDM Rubber
4. Body Seal	EPDM Rubber
5. Nameplate	Aluminum
6. Upper Bushing	Stainless Steel ASTM A276 Type 316
7. Liner	EPDM Rubber
8. Disc	Stainless Steel ASTM 743 Grade CF8M
9. Lower Bushing	Stainless Steel ASTM A276 Type 316
10. Body Wafer	Ductile Iron ASTM A536
11. Body Lug	Ductile Iron ASTM A536

NOT RECOMMENDED
FOR STEAM SERVICE

DIMENSIONS — WEIGHTS

Size	A		B		C		D		E		F		G	Metal	Rubber	J	N
In. mm.	A	B	C	D	E	F	Flat	H	I	Square	Dia.						
2 50	2.53	4.00	1.25	5.38	2.88	.38	.312	1.688	1.812	3.25	.500						
2 1/2 65	2.90	4.69	1.25	5.88	3.27	.38	.370	1.812	1.938	3.25	.562						
3 80	3.15	5.12	1.25	6.12	3.40	.38	.370	1.812	1.938	3.25	.562						
4 100	4.09	6.12	1.25	6.88	4.00	.38	.403	2.062	2.188	3.25	.625						
5 125	5.13	7.25	1.25	7.38	4.75	.38	.496	2.188	2.312	3.25	.750						
6 150	6.13	8.25	1.25	8.00	5.29	.38	.496	2.188	2.312	3.25	.750						
8 200	8.13	10.41	1.25	9.25	6.50	.50	.560	2.375	2.500	3.25	.875						
10 250	10.13	12.52	1.25	10.50	8.00	.50	.686	2.688	2.812	4.75	1.125						
12 300	12.13	15.00	1.25	12.00	9.25	.50	.748	3.000	3.125	4.75	1.250						



Capscrew/Stud Data

Size	O	P	R	K	L	Wafer Length	Lug Length	M	Lug Weight	Wafer Weight
In. mm.	B.C.	Dia.	Dia.	No.	Dia.			B.C.	Lbs. Kg.	Lbs. Kg.
2 50	3.25	.437	.437	4	5/8-11unc				7 3.2	5.5 2.5
2 1/2 65	3.25	.437	.500	4	5/8-11unc				9 4.1	7.5 3.4
3 80	3.25	.437	.500	4	5/8-11unc				9.5 4.3	8 3.6
4 100	3.25	.437	.562	8	5/8-11unc				15 6.8	11 5.0
5 125	3.25	.437	.656	8	3/4-10unc				21 9.5	15 6.8
6 150	3.25	.437	.656	8	3/4-10unc				24 10.9	18 8.2
8 200	3.25	.437	.781	8	3/4-10unc				34 15.4	28 12.7
10 250	5.00	.562	1.000	12	7/8-9unc				62 28.1	45.5 20.7
12 300	5.00	.562	1.062	12	7/8-9unc				90 40.9	70 31.8

Refer to BFV
Technical
Information
for bolt
lengths

WARNING: This product can expose you to chemicals including lead, which is known to the State of California to cause cancer and birth defects or other reproductive harm. For more information go to www.P65Warnings.ca.gov.

*Weighted average lead content ≤ 0.25%

Visit our website for the most current information.