

# 250 PSI Butterfly Valves

Ductile Iron Body • Extended Neck • Geometric Drive • Molded-In Seat Liner • Lug and Wafer Style • 316 S.S. Trim

## Sizes 2" through 12"

Install between Std. ASME Class 125/150 flanges.  
Lug Style 250 PSI bi-directional dead end service rating without a downstream flange required.

THIRD PARTY CERTIFIED BY QAI TO MEET MSS SP-67 STANDARD • U.S. COAST GUARD "CATEGORY A" • LD/WD-3022 THIRD PARTY CERTIFIED BY TRUESDAIL LABS TO NSF/ANSI 61 AND 372

### MATERIAL LIST

PART	SPECIFICATION
1. Stem	Stainless Steel ASTM A564 Type 17-4PH
2. Collar Bushing	Stainless Steel ASTM A276 Type 316
3. Stem Seal	Options: See Below*
4. Body Seal	Options: See Below*
5. Nameplate	Aluminum
6. Upper Bushing	Stainless Steel ASTM A276 Type 316
7. Liner	Options: See Below*
8. Disc	Stainless Steel ASTM A743 Grade CF8M
9. Lower Bushing	Stainless Steel ASTM A276 Type 316
10. Body Wafer	Ductile Iron ASTM A536
11. Body Lug	Ductile Iron ASTM A536

\*Optional Liners/Seals: 0 - EPDM 1 - Buna-N (Nitrile) 2 - Fluoroelastomer  
Note: only EPDM liners meet NSF 61 certification.

### DIMENSIONS — WEIGHTS

Size								G	Metal Rubber		J	N
In.	mm.	A	B	C	D	E	F	Flat	H	I	Square	Dia.
2	50	2.53	4.00	1.25	5.38	2.88	.38	.312	1.688	1.812	3.25	.500
2½	65	2.90	4.69	1.25	5.88	3.27	.38	.370	1.812	1.938	3.25	.562
3	80	3.15	5.12	1.25	6.12	3.40	.38	.370	1.812	1.938	3.25	.562
4	100	4.09	6.12	1.25	6.88	4.00	.38	.403	2.062	2.188	3.25	.625
5	125	5.13	7.25	1.25	7.38	4.75	.38	.496	2.188	2.312	3.25	.750
6	150	6.13	8.25	1.25	8.00	5.29	.38	.496	2.188	2.312	3.25	.750
8	200	8.13	10.41	1.25	9.25	6.50	.50	.560	2.375	2.500	3.25	.875
10	250	10.13	12.52	1.25	10.50	8.00	.50	.686	2.688	2.812	4.75	1.125
12	300	12.13	15.00	1.25	12.00	9.25	.50	.748	3.000	3.125	4.75	1.250

Size	Capscrew/Stud Data					Wafer Length	Lug Length	M	Lug Weight		Wafer Weight	
	O	P	R	K	L				B.C.	Lbs.	Kg.	Lbs.
In. mm.	B.C.	Dia.	Dia.	No.	Dia.							
2 50	3.25	.437	.437	4	5/8-11unc	Refer to butterfly valve technical information for bolt lengths	4 3/4	7	3.2	5.5	2.5	
2½ 65	3.25	.437	.500	4	5/8-11unc		5 1/2	9	4.1	7.5	3.4	
3 80	3.25	.437	.500	4	5/8-11unc		6	9.5	4.3	8	3.6	
4 100	3.25	.437	.562	8	5/8-11unc		7 1/2	15	6.8	11	5.0	
5 125	3.25	.437	.656	8	3/4-10unc		8 1/2	21	9.5	15	6.8	
6 150	3.25	.437	.656	8	3/4-10unc		9 1/2	24	10.9	18	8.2	
8 200	3.25	.437	.781	8	3/4-10unc		11 3/4	34	15.4	28	12.7	
10 250	5.00	.562	1.000	12	7/8-9unc		14 1/4	62	28.1	45.5	20.7	
12 300	5.00	.562	1.062	12	7/8-9unc	17	90	40.9	70	31.8		

For actuated service where a lower torque is required use NIBCO Fig. No. WDLXXX-0 or LDLXXX-0 series, sizes 2" thru 12" only. Maximum pressure rating of 100 PSI for wet application and 50 PSI for dry application.

Visit our website for the most current information.



NSF/ANSI 61  
NSF/ANSI 372

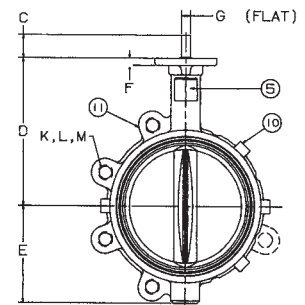
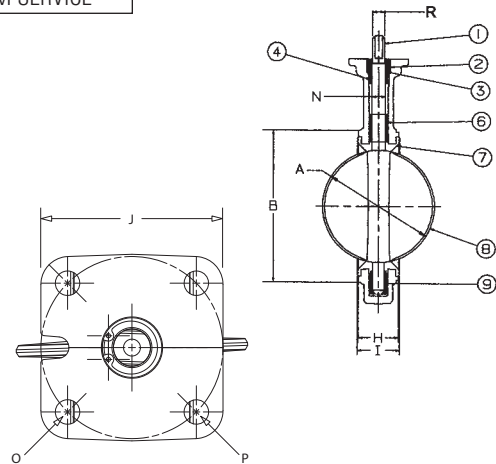


**WD-3\*22**  
Wafer Style  
Optional Liner  
and CF8M Disc



**LD-3\*22**  
Lug Style  
Optional Liner  
and CF8M Disc

NOT RECOMMENDED  
FOR STEAM SERVICE



**WARNING:** This product can expose you to chemicals including lead, which is known to the State of California to cause cancer and birth defects or other reproductive harm. For more information go to www.P65Warnings.ca.gov.

\*Weighted average lead content ≤ 0.25%