

Series 300 Electric Actuators

ACTUATORS & CONTROLS

THE ELECTRIC SOLUTION

NIBCO Series 300, quality, line of electric actuators are designed for quarter-turn applications — ball, butterfly and plug valves; dampers; vents and similar uses. NIBCO Actuators are manufactured in a wide range of output torque and operating speeds to fit your specific requirements.

The 300 Series actuators offer compactness and a rugged design with manual override capability.

OPTIONAL FEATURES

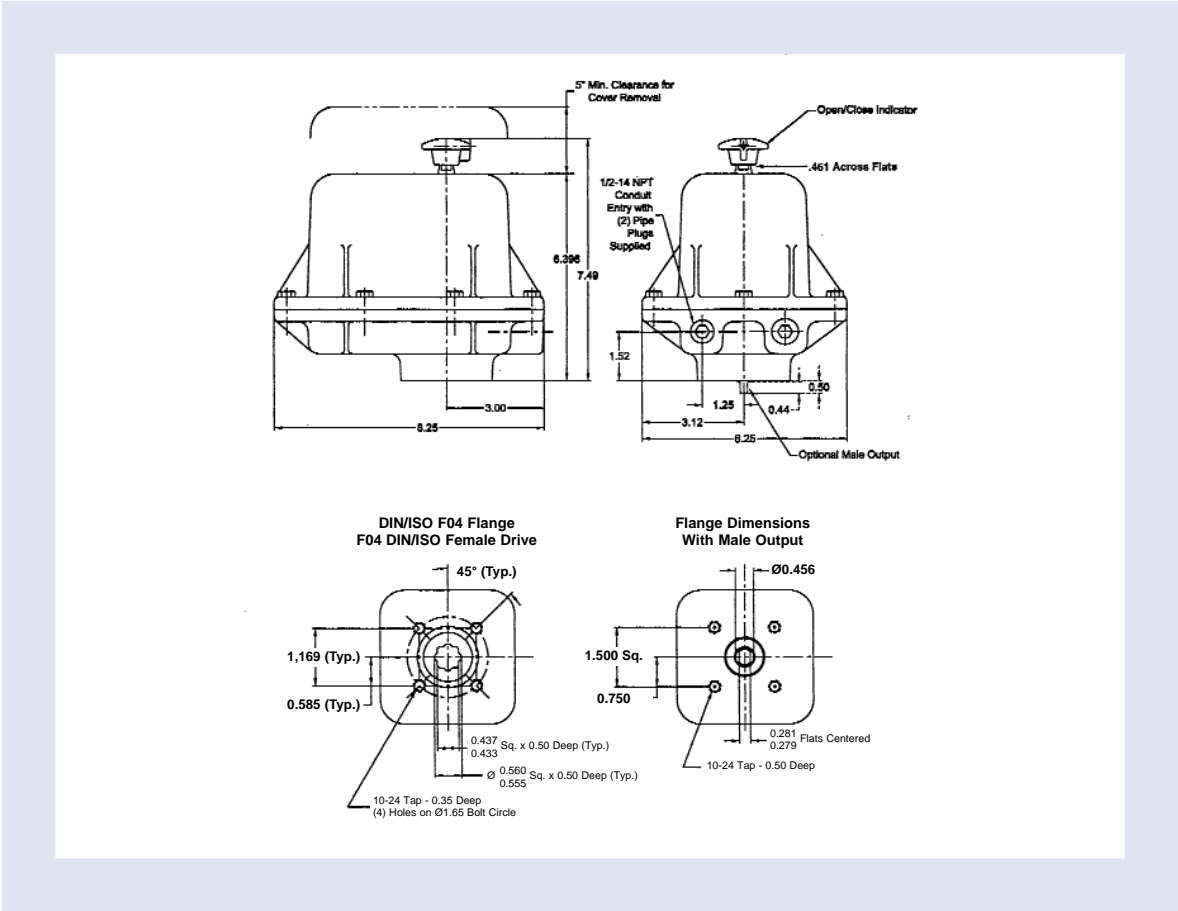
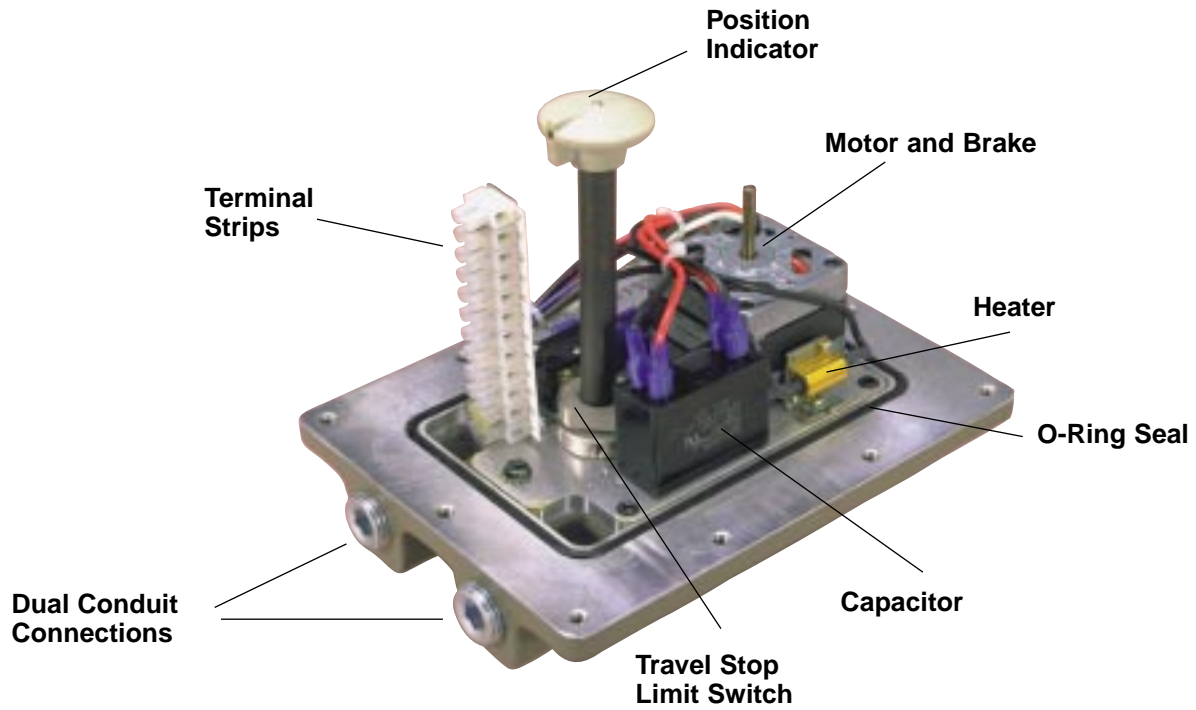
- Electromechanical brake for 15 and 30 second cycle units
- 1K ohm potentiometer
- Electronic proportional control, 4-20mA, 1-5 VDC or 0-10 VDC
- Optional voltages include 230 VAC and 24 VDC
- Four additional auxiliary switches

STANDARD FEATURES

- Heater and thermostat installed in all NE300 units
- Permanently lubricated steel gear train
- Hardened steel drive shaft
- Operating temperatures from -40°F to +140°F
- Single phase capacitor run motor with thermal overload protection.
- Motor brake standard on 4 and 10 second cycle units
- Enclosures CSA certified to NEMA-4, 4X and 7
- Female ISO 5211 mount and drive
- Declutchable manual override
- Two 1/2" NPT conduit entrances



SERIES 300									
TORQUE		SPEED 90°	MODEL	LOCKED ROTOR AMP				MOTOR DUTY CYCLE	
IN/IB	NM			115VAC	230VAC	12VDC	24VDC	AC	DC
150	17	4 SEC	300-4	0.57	0.29	1.2A	2.5A	30%	100%
300	34	10 SEC	300-10	0.57	0.29	1.2A	2.5A	30%	100%
400	45	15 SEC	300-15	0.56	0.25	1.2A	2.5A	30%	100%
600	68	30 SEC	300-30	0.56	0.25	1.2A	2.5A	30%	100%



NIBCO
AHEAD OF THE FLOW™

NIBCO INC.
WORLD HEADQUARTERS
WEB: www.nibco.com

1516 MIDDLEBURY STREET
ELKHART, IN 46516-4740
USA

DOMESTIC CUSTOMER SERVICE
PHONE: 800.234.0227
FAX: 800.234.0557

TECHNICAL SERVICE
PHONE: 888.446.4226
FAX: 888.336.4226

INTERNATIONAL OFFICE
PHONE: +1/574.295.3221
FAX: +1/574.295.3455