

# Series 100 Electric Actuators

## ACTUATORS & CONTROLS

### THE ELECTRIC SOLUTION

NIBCO Series 100, quality, line of electric actuators are designed for quarter-turn applications — ball, butterfly and plug valves; dampers; vents and similar uses. NIBCO Actuators are manufactured in a wide range of output torque and operating speeds to fit your specific requirements.

The 100 Series actuators offer compactness and a rugged design in a small package.

### OPTIONAL FEATURES

- Max 2 additional SPDT switches
- Heater and thermostat
- Optional voltage — 230 VAC, 50/60 Hz single phase

### STANDARD FEATURES

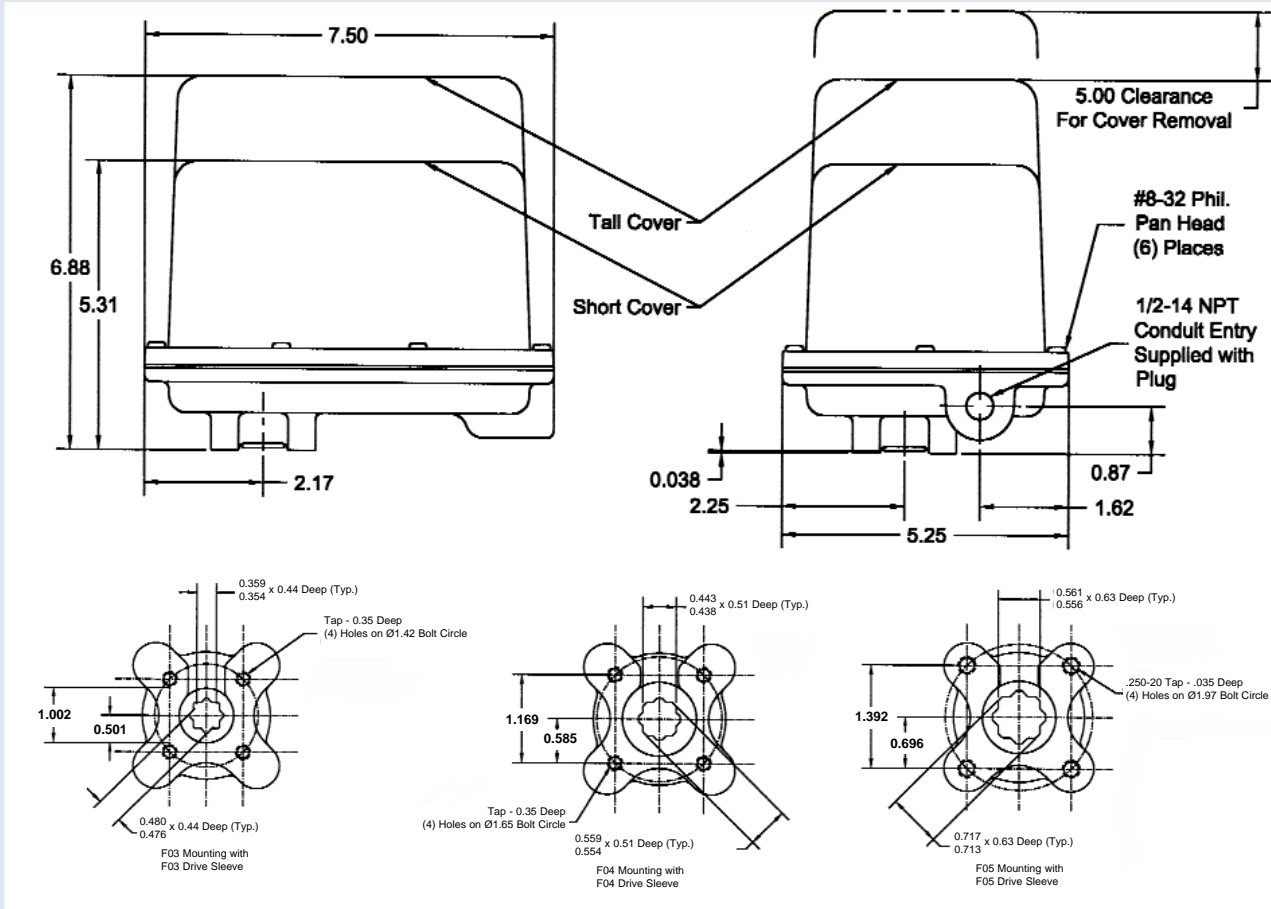
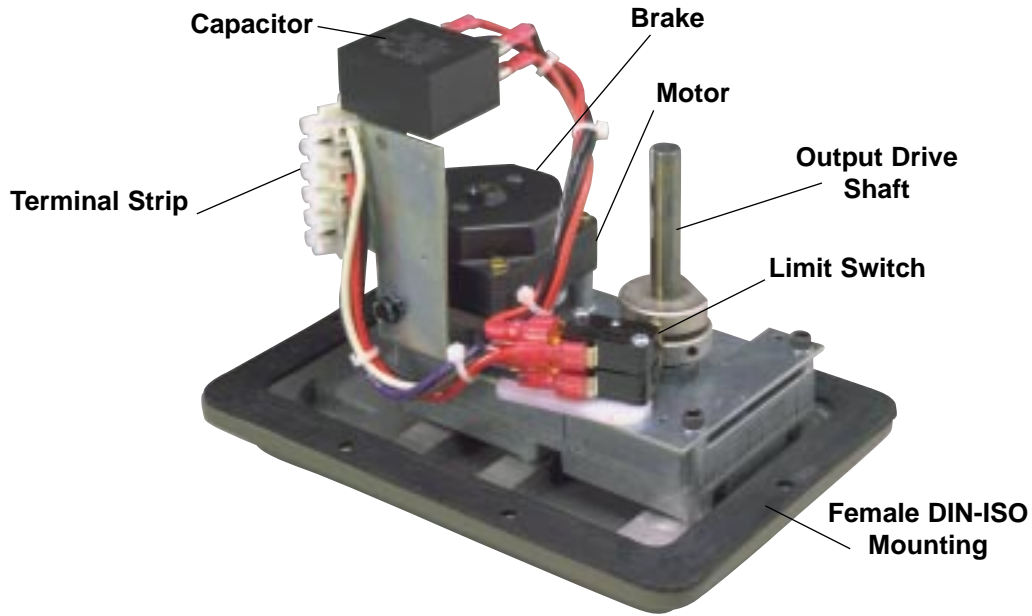
- Permanently lubricated gear train
- Stainless steel output drive
- 2 second cycle models have unidirectional operation and mechanical brake
- 10 and 13 second cycle models have single phase capacitor run motors with internal brake
- Enclosures are CSA certified to NEMA 1, 2, 3, 3R, 4, 4X and 5
- Female ISO 5211 mount and drive
- Single 1/2" NPT conduit entrance



SERIES 100					
TORQUE		SPEED 90°	LOCKED ROTOR AMP		MOTOR DUTY CYCLE
IN/IB	NM		115VAC	230VAC	
100	11	2 SEC	1.30	CF*	30%
250	28	10 SEC	0.70	CF*	30%
350	39	13 SEC	0.70	CF*	30%

\* Consult factory for 230VAC locked rotor current.

Model #	Mounting Bolt Circle	Drive Sleeve
133	F03	F03
144	F04	F04
155	F05	F05



**NIBCO**  
AHEAD OF THE FLOW<sup>®</sup>

**NIBCO INC.**  
**WORLD HEADQUARTERS**  
WEB: [www.nibco.com](http://www.nibco.com)

1516 MIDDLEBURY STREET  
ELKHART, IN 46516-4740  
USA

DOMESTIC CUSTOMER SERVICE  
PHONE: 800.234.0227  
FAX: 800.234.0557

TECHNICAL SERVICE  
PHONE: 888.446.4226  
FAX: 888.336.4226

INTERNATIONAL OFFICE  
PHONE: +1/574.295.3221  
FAX: +1/574.295.3455