

BAT002

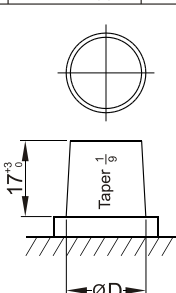
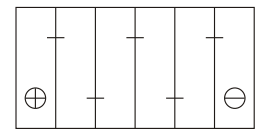


Physical Specification (mm)

Nominal Voltage		12V
Nominal Capacity (100HR)		85Ah
Dimension	Length	269 ± 2mm (10.59 inches)
	Width	173 ± 2mm (6.81 inches)
	Container Height	203 ± 2mm (7.99 inches)
	Total Height (with Terminal)	224 ± 2mm (8.81 inches)
Weight		Approx 16.9Kg (37.3lbs)
Acid		1.280 ± 0.015g/cm ³ (25°C)
Standard Terminal		1
Cell layout		1
Hold-Down		B01
Cell plate qty		/
Case		Black-Material
Cover		Black-Material
Handle		Black-Material
QTY/PLT/layer		

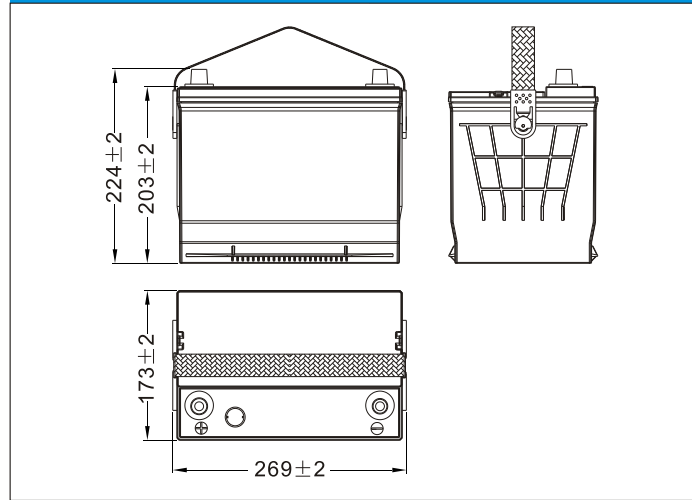
Standard Terminal (mm) Cell Layout

Terminal Type	D	
	Positive	Negative
1	19.5 ⁰ _{-0.3}	17.9 ⁰ _{-0.3}

Figure(1)

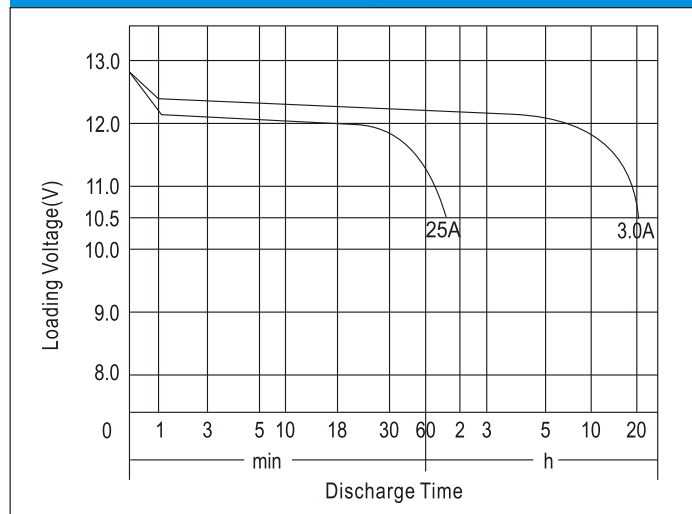
Dimensions (mm)



Electrical Specification

Rated Capacity	100 hour rate (3.25A)	85Ah
Reserve Capacity		98min
Cold Cranking Performance Amps @ 0°F (-18°C)		530A

Discharge Characteristics (25°C, 77°F)



Discharge Characteristics (-18°C, 0°F)

