



SEDONA BY LYNX™ SERIES

36" SEDONA BUILT-IN GRILL

WITH 3 STAINLESS STEEL BURNERS AND ROTISSERIE (L601R)



L601R PRODUCT OVERVIEW



OPEN VIEW

- Variable power—three Stainless Steel Burners combining to provide up to 69,000 BTU
- Consistent assurance—direct spark ignition with battery backup
- Perfect clarity—dual halogen grill surface lights
- Quick visibility—temperature gauge
- Easy opening—Lynx Hood Assist
- Ready rotisserie—dedicated single speed rotisserie 14,000 btu back burner, motor, spit rods, and forks
- Ample capacity—891 square inches of cooking surface (618 primary, 273 secondary)
- Beautiful illumination—blue-lit control knobs
- Smooth opening—fluid rotation handle
- Premier platform—stainless steel grilling grates
- Steadfast durability—heavy-duty welded construction eliminates gaps where grease can collect
- Brushed stainless steel finish on canopy, bullnose, and drip tray



FOR A COMPLIMENTARY CUSTOM DESIGN FOR YOUR OUTDOOR KITCHEN, VISIT LYNXGRILLS.COM/DESIGN-CENTER

L601R PRODUCT FEATURES

The Sedona by Lynx™ Series is always evolving to be the best at something new. That philosophy is reflected in its features. We've refined these features to give you a grilling experience that's both simple and stunning.



ROTISSERIE SYSTEM



STAINLESS STEEL BURNERS



CERAMIC RADIANT BRIQUETTES



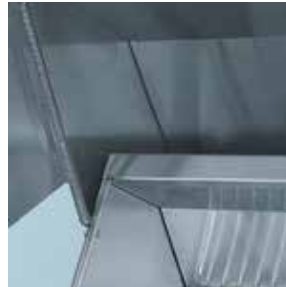
INTEGRATED ILLUMINATION



EXPANSIVE GRILLING SURFACE



SPARK IGNITION SYSTEM



LYNX HOOD ASSIST

FOR MORE INFORMATION ON SEDONA BY LYNX™ SERIES PRODUCT FEATURES, PLEASE VISIT LYNXGRILLS.COM

PRODUCT TECHNICAL SPECIFICATIONS



CUT-OUT DIMENSIONS: WIDTH: 35" / HEIGHT: 10" / DEPTH: 21.25"



SHIPPING DIMENSIONS: WIDTH 33.5" / HEIGHT 41" / DEPTH 30"
SHIPPING WEIGHT: 180 POUNDS



GAS REQUIREMENTS: SHIPS IN LIQUID PROPANE OR NATURAL GAS FROM FACTORY

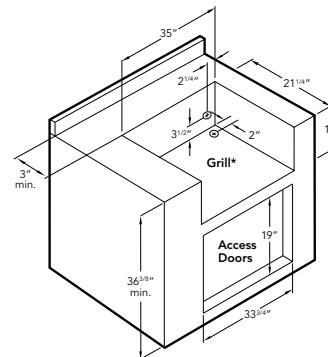


ELECTRICAL REQUIREMENTS: INSTALLATION REQUIRES AN OUTDOOR 120V/15GFI ELECTRICAL OUTLET ADJACENT TO PRODUCT



COOKING CONFIGURATION: BUILT-IN GRILL WITH 1 PROSEAR INFRARED BURNER AND 1 STAINLESS STEEL BURNER

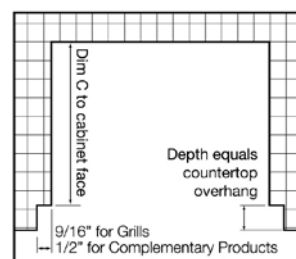
L601 ISLAND PREPARATION



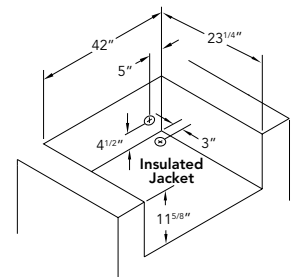
* 2" round hole must be located at rear of grill cutout. 120V GFI outlet must be located within 6' of the 2" hole.

PRODUCT SPECIFICATIONS & INSTALLATION

COUNTERTOP NOTCH DETAIL



INSULATING JACKET



Note: Insulating jacket required for all grills installed into a combustible enclosure. For natural gas grills, Lynx recommends using 3/4" gas lines. Side burners may be rotated 90 degrees. See installation manuals for details.