



### How to Install Your New Light

Please check that you received all of the components pictured in this guide. Reach out to us if anything is missing. It's very rare, but it happens. Don't forget to turn off the electrical power source.

Tools you will need that aren't included: standard wire stripper, Phillips head screwdriver.

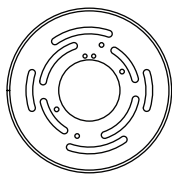
### CAUTION

Electrical shock risk. Turn off electrical power at the main fuse box or circuit panel before beginning installation, servicing the light, or installing accessories. We recommend working with a qualified electrician familiar with the type of work you'd like done.

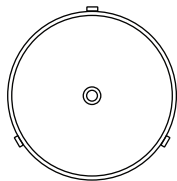
### ATTENTION

Risque de choc électrique. Coupez l'alimentation électrique au niveau de la boîte à fusibles principale ou du panneau de circuits avant de commencer l'installation, l'entretien de la lumière ou l'installation d'accessoires. Nous vous recommandons de travailler avec un électricien qualifié familier avec le type de travail que vous souhaitez effectuer.

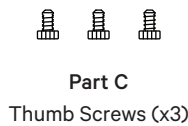
### Contents



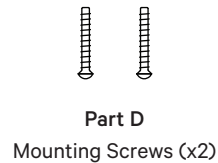
**Part A**  
Backplate



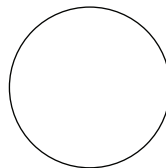
**Part B**  
Backplate



**Part C**  
Thumb Screws (x3)



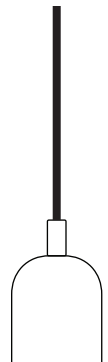
**Part D**  
Mounting Screws (x2)



**Part G**  
Orb 5 Diffuser



**Part H**  
E12 LED Bulb



**Part I**  
Shell Pendant

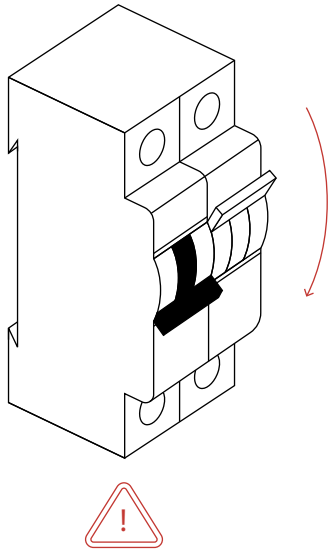


**Part E**  
Hex Key

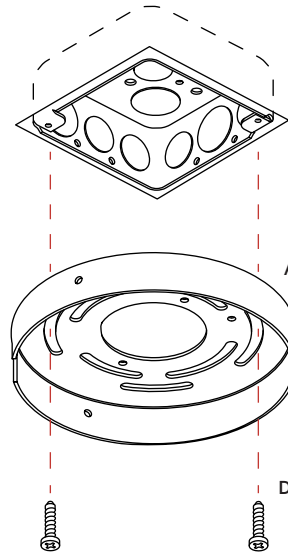


**Part F**  
Wago Clips (x3)

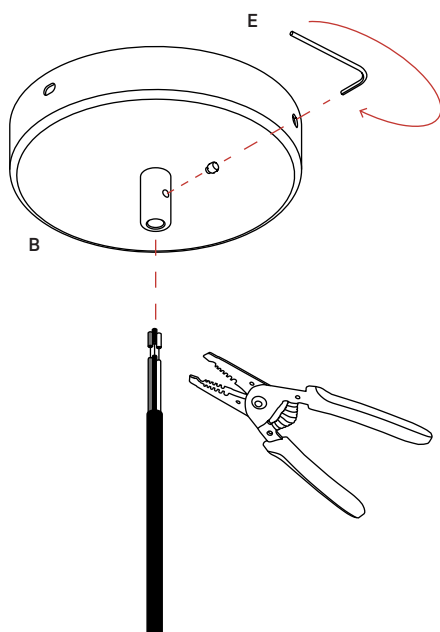
**Step 1:** Turn off electrical power at the main fuse box or circuit panel before beginning installation.



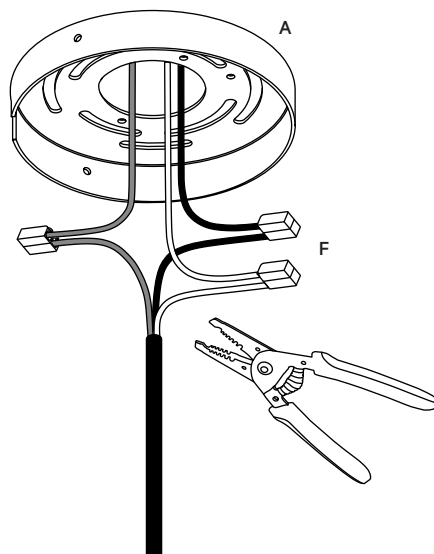
**Step 2:** Mount the backplate (A) to the junction box using a phillips head screwdriver to tighten the mounting screws (D).



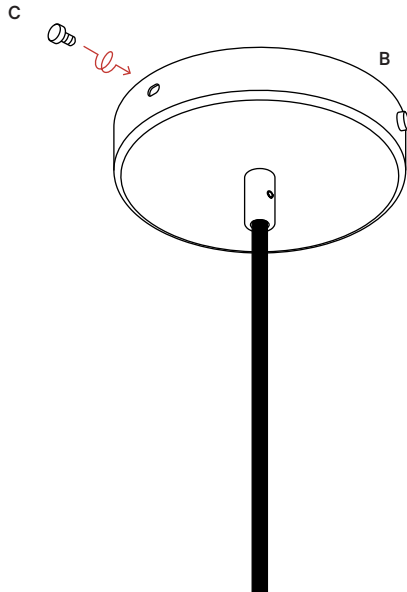
**Step 3:** Cut pendant cord to the desired length using a wire cutter, then thread the cord through the hole in the canopy. Secure the cord in place by tightening the screw on the canopy cover (B). Use the included L-shaped hex key (E). Resist the urge to over-tighten; it's not necessary!



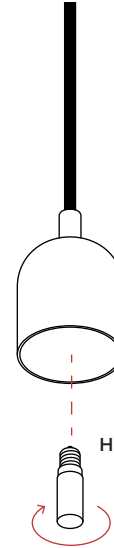
**Step 4:** Use the wago clips (F) to connect the fixture's wires to the corresponding wires from the junction box in the wall or ceiling. White is neutral; Black is live; Green/ Yellow is ground. One ground wire will be from the pendant cord, the other ground wire should come from the junction box. If needed use a wire stripper to remove 3/8" of the insulation from each wire before inserting them into the corresponding wago clip.



**Step 5:** Align the holes of the backplate (A) with the holes of the canopy cover (B). Secure them in place by twisting the thumbscrews (C) by hand.



**Step 6:** Screw lightbulb (H) into the shell pendant (I).



**Step 7:** Attach the diffuser (G) to pendant assembly by rotating clockwise until fixed in place. Turn the power back on at the main fuse box or circuit panel you disabled before installation.

