

MK10N-SS316

OUTDOOR KITCHEN MIXER



meir®

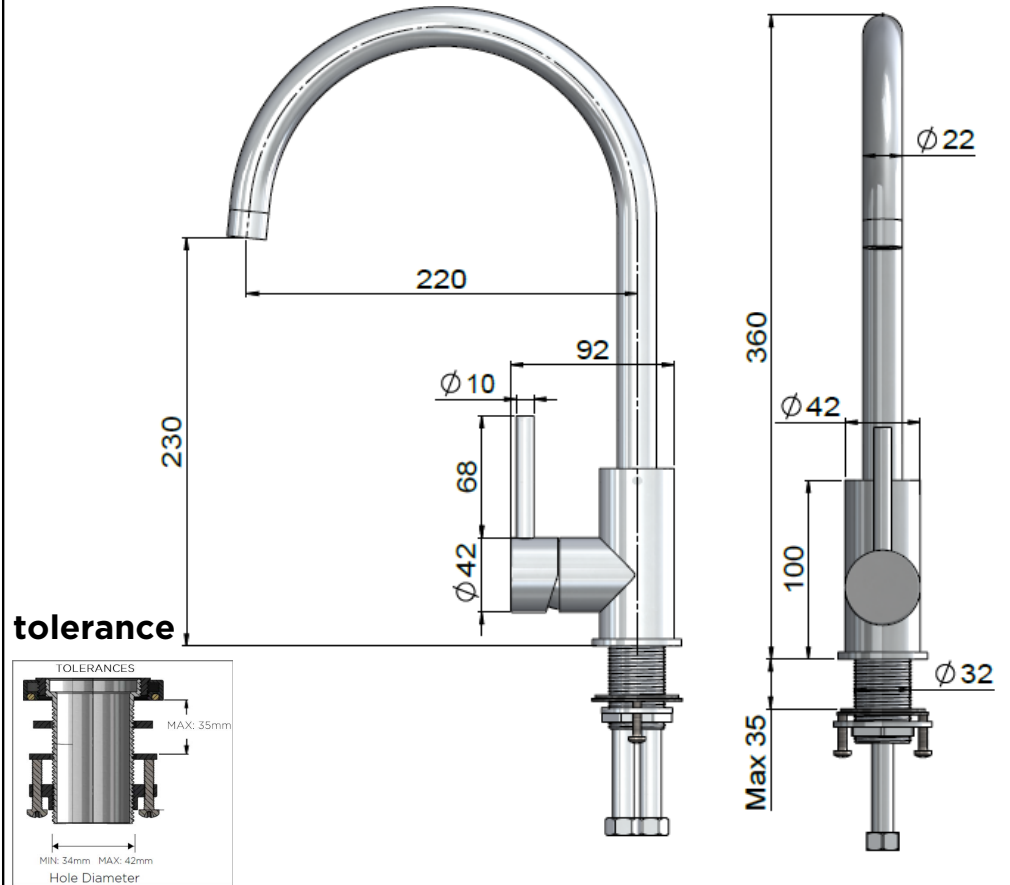
FEATURES

- Refer to the Meir website for warranty terms & conditions.
- Flow rate at 3 bar is 5 l/min
- European components and cartridge
- 316 Stainless Steel construction

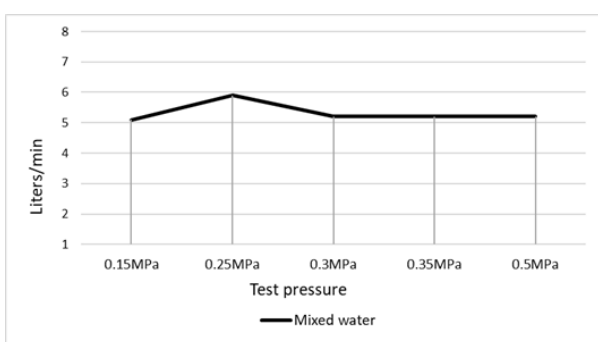
CARE

- Do not install tapware using any form of acetone silicones.
- Do not apply physical items (such as tools) directly to product.
- Never use house-hold or commercial detergents, citrus based cleaners, or abrasive cleaners.
- Clean using a mild washing soap solution rinsed, and dry with a soft cloth.
- Check for any product defects before installation.
- Refer to the installation manual for correct installation.

SPECIFICATIONS



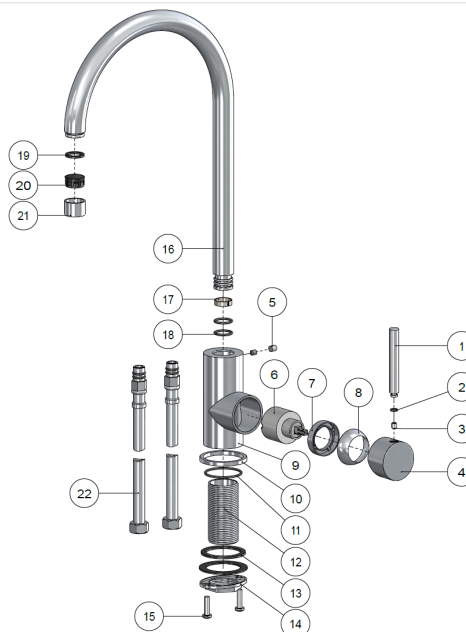
FLOW RATE



CREDENTIALS

- Watermark AS/NZS3718WMK080065
- 5-star WELS rated
- WELS registration No: T42184

EXPLODED VIEW



No.	Part Name
1	Handle Pin
2	O-ring
3	Screw
4	Handle
5	Rubber
6	Cartridge
7	Cartridge Nut
8	Decor Cover
9	Body
10	Base Ring
11	O-ring
12	Threaded Tube
13	Washer
14	Lock Nut
15	Screw
16	Spout
17	C-ring
18	O-ring
19	Washer
20	Aerator
21	Aerator Shell
22	SS Braided Hose