

# MW16N-SS316

## OUTDOOR WALL MIXER

meir®

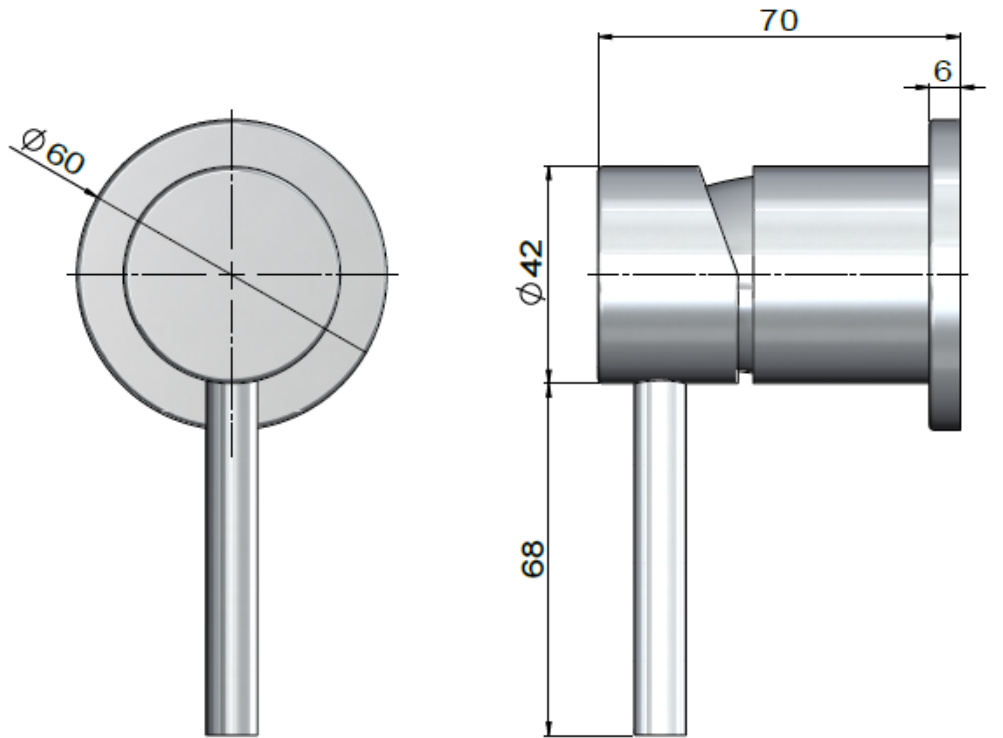
### FEATURES

- Refer to the Meir website for warranty terms & conditions.
- Flow rate at 3 bar is XX l/min
- European components and cartridge
- 316 Stainless Steel construction

### CARE

- Do not install tapware using any form of acetone silicones.
- Do not apply physical items (such as tools) directly to product.
- Never use house-hold or commercial detergents, citrus based cleaners, or abrasive cleaners.
- Clean using a mild washing soap solution rinsed, and dry with a soft cloth.
- Check for any product defects before installation.
- Refer to the installation manual for correct installation.

### SPECIFICATIONS

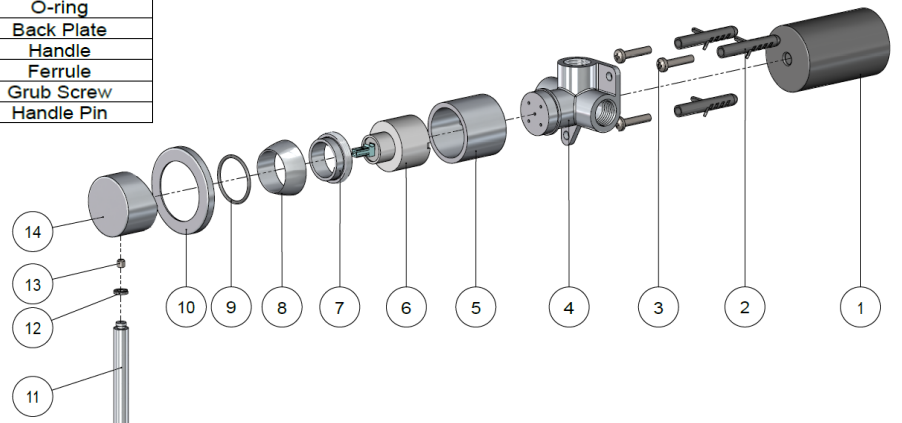


### FLOW RATE



### EXPLODED VIEW

No.	Part Name
1	Plastic Cover
2	Ferrule
3	Screw
4	Body
5	Cartridge Sleeve
6	Cartridge
7	Cartridge Nut
8	Decor Cover
9	O-ring
10	Back Plate
11	Handle
12	Ferrule
13	Grub Screw
14	Handle Pin



### CREDENTIALS

- Watermark
- WELS