

合格证
QC PASS

深圳市神牛摄影器材有限公司

地址: 深圳市宝安区福海街道塘尾社区耀川工业区厂房2栋

电话: 0755-29609320(8062) 传真: 0755-25723423 邮箱: godox@godox.com

GODOX Photo Equipment Co., Ltd.

Add: Building 2, Yaochuan Industrial Zone, Tangwei Community, Fuhai Street, Bao'an District,

Shenzhen, China Tel: +86-755-29609320(8062) Fax: +86-755-25723423 E-mail: godox@godox.com

godox.com

Made in China



Godox

静音LED摄影灯
SILENT LED Video Light

UL150



使用手册
Instruction Manual

前言

感谢您购买神牛产品！

静音LED摄影灯UL系列无风扇，零噪音，非常适用于直播拍摄、视频录制、采访布光等多种场合。适配器、控制盒与灯体分离，操作方便。光源稳定，显色性好，功能强大。配备专用遥控器，可无线分组调光，无线调节亮度。

主要特点：

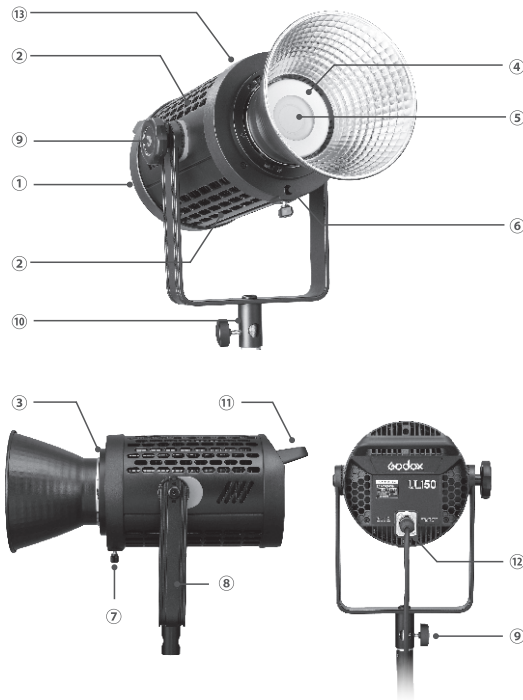
- 无风扇，零噪音，无干扰
- 功率强劲，光源稳定，亮度高且可自由调节
- V口锂电池供电或DC电源供电，室内室外两用
- 适配器、控制盒、灯体分离，操控更便捷，散热性更佳
- 手机APP蓝牙无线控制
- U型支架设计，可吊装，调节各种角度更方便
- 保荣卡口，兼容各类光效附件

⚠ 警告

- ⚠ 请保持干燥：请勿用湿手接触产品，亦不可将产品浸入水中或暴露于雨中。
- ⚠ 请勿私自拆卸产品，如产品出现故障须由本公司或授权的维修人员进行检查维修。
- ⚠ 请勿让儿童接触本产品。
- ⚠ 本产品不能防水，在雨天及潮湿环境下请注意防水。
- ⚠ 请勿放置在超过40摄氏度的高温环境中。
- ⚠ 请勿在化学品、可燃性气体或其他特殊物质附近使用LED灯。
在这些场合下，请注意相关警告标识。

部件名称

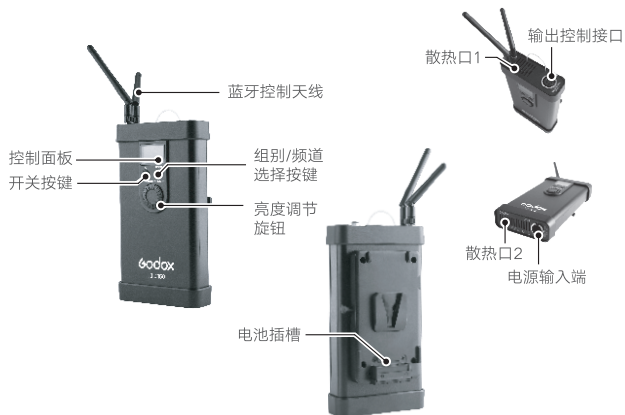
灯体



- 1.灯体 2.散热孔 3.保荣卡口 4.灯头保护罩 5.LED灯 6.伞孔
7.伞固定旋钮 8.U型支架 9.支架旋钮 10.支架套筒 11.把手
12.电源输入接口 13.卡口固定旋钮

部件名称

控制器部件



标配物品

- 1、灯体
- 2、LED保柔反光罩
- 3、电源线
- 4、适配器
- 5、保护罩
- 6、电源连接线
- 7、背夹扣带
- 8、控制器
- 9、说明书



接通电源

- 1、先将电源连接线两头分别插入控制器输出控制接口和灯体输入控制接口，听到咔声表示已经插好。



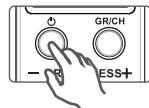
- 2、将适配器的连接线输出端口插入控制器电源输入端。
- 3、使用电源线，连接电源。



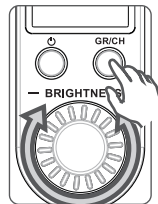
注：如果使用V口电池，直接插上V口电池，打开电源开关即可使用。

操作说明

- 1、开关：长按控制盒开关按键，LED灯亮，再次长按LED灯灭。



- 2、无线组别/频道选择：按一下GR/CH按钮，频道值被选中，旋转亮度调节旋钮可调整频道；再次按GR/CH按钮，组别值被选中，旋转亮度调节旋钮可调整组别（旋转时组别值循环出现）；再次按GR/CH按钮退出组别频道选择。



- 3、亮度调节：旋转亮度调节旋钮亮度改变，亮度调节范围0%-100%。



⚠ 温度过高警告

当控制盒显示屏出现HP闪烁时，表明灯头温度过高，建议关机待灯头冷却后再使用，以免灯珠烧坏。

无线控制：手机APP蓝牙无线控制

神牛UL系列LED灯还具备手机APP蓝牙无线控制功能，可同时分别控制6组LED灯。
16组通道频率，抗干扰强。



- **连接蓝牙：**在控制盒开机状态下，长按GR/CH按钮，控制器会显示蓝牙ID号。在手机上打开APP“GodoxPhoto”，点击蓝牙选择控制盒对应的蓝牙号，输入密码(原始密码“000000”)，蓝牙连接成功。

注：LED控制盒和APP显示的频道与组别需调至一致。



- **LED控制：**具体操作请看手机APP“GodoxPhoto”：设置---帮助---LED。

产品参数

静音LED摄影灯		UL150
供电	DC电源供电	AC100V-240V(50/60HZ)/2A(DC16.8V 10A)
	锂电池供电	V口电池(另购)
功率		150W
色温		5600±200K
100%光照度 (LUX,1米距离)(≈)		58000
CRI≈		96
TLCI≈		97
调光范围		0%-100%
工作环境温度		-10℃~40℃
频道		16个
组别		6组(A、B、C、D、E、F)
产品尺寸		316.9*217.8*170mm
净量	灯：	3.09Kg
	控制盒：	0.86Kg
	适配器：	0.72Kg

注：配件不同，流明值也会有差异。

*设计和规格如有变更，恕不另行通知。

Foreword

Thank you for purchasing this Godox Product!

Silent LED Video Light UL series are suitable for live recording, video shooting and photojournalistic shooting for they have no fan and won't make noise. UL series are very convenient due to the separation design of main body, adapter and controller. UL series create stable light resource and even illumination for photography. With an included remote control and easy operation, UL series LED lights can be adjusted its light brightness in separate groups.

Main Features:

- With strong power, stable light source and adjustable light brightness
- Powered by V-port Lithium battery or DC power supply with wide application
- Adapter and controller are separate from the main light body, which offers more convenient operation and better heat dissipation
- Smartphone APP through Bluetooth
- With U-type bracket to adjust different angles easily
- Bowsens-mount enables to install various of accessories

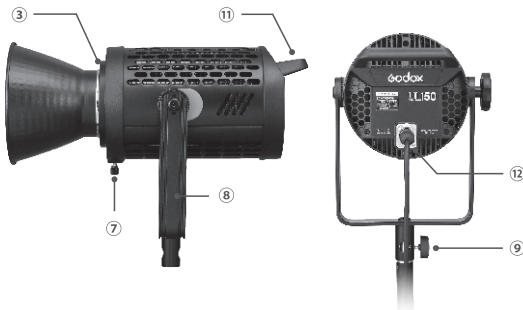
! IMPORTANT SAFETY INSTRUCTIONS

When using your photographic equipment, basic safety precautions should always be followed, including the following:

1. Read and understand all instructions before using.
2. Close supervision is necessary when any appliance is used by or near children. Do not leave appliance unattended while in use.
3. Care must be taken as burns can occur from touching hot parts.
4. The appliance switch is provided with the symbols 0 indicating off and 1 indicating on. The symbols and may be used for this purpose.
5. Do not operate appliance with a damaged cord or if the appliance has been dropped or damaged – until it has been examined by a qualified serviceman.
6. Position the cord so that it will not be tripped over, pulled, or contact hot surfaces.
7. If an extension cord is necessary, a cord with a current rating at least equal to that of the appliance should be used. Cords rated for less amperage than the appliance may overheat.
8. Always unplug appliance from electrical outlet before cleaning and servicing and when not in use. Never yank cord to pull plug from outlet. Grasp plug and pull to disconnect.
9. Let appliance cool completely before putting away. Loop cord loosely around appliance when storing.
10. To reduce the risk of electric shock, do not immerse this appliance in water or other liquids.
11. To reduce the risk of electric shock, do not disassemble this appliance, but take it to a qualified serviceman when service or repair work is required. Incorrect reassembly can cause electric shock when the appliance is used subsequently.
12. The use of an accessory attachment not recommended by the manufacturer may cause a risk of fire, electric shock, or injury to persons.
13. Connect this appliance to a grounded outlet.
14. Disconnect this unit from its source of supply before replacing the projection lamp.

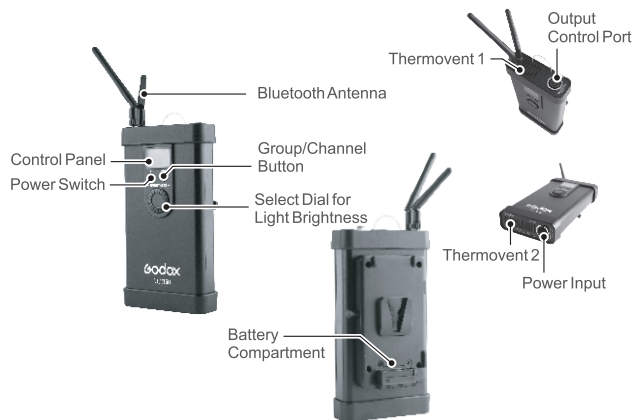
SAVE THESE INSTRUCTIONS

Body



1. Light Body
2. Thermovent
3. Bowens Mount
4. Protect Cover
5. LED Light
6. Umbrella Input
7. Locking Ring
8. U-type Bracket
9. Bracket Locking Ring
10. Bracket Sleeve
11. Handle
12. Power Input Socket
13. Accessory Locking Button

Controller



Included Items

1. LED video light
2. Reflector for Bowens mount LED light
3. Power cord
4. Adapter
5. Lamp cover
6. Connect cord
7. Fastener
8. Controller
9. Instruction manual



Power Supply

1. Firstly, plug the two ends of connect cord separately into the controller's output control port and the light's power input socket. A "click" will be heard once finished.



2. Plug the output end of adapter's connect cord into controller's power input end.

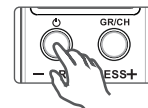


3. Use the power cord to connect the power supply.

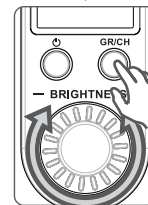
Note: If using V-port battery, please insert the battery into the LED light and power it on for usage.

Operation

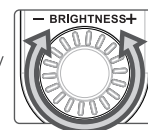
1. Power on/off: long press the Power Switch of controller to power the LED light on or off.



2. Choose group/channel: press GR/CH button for once, and turn the Select Dial for Light Brightness to change the channel value. Then, press GR/CH button again, and turn the Select Dial for Light Brightness to change the group value (the group figure will be displayed recurrently). Press GR/CH button to exit.



3. Light brightness adjustment: turn the select dial for light brightness to change the value from 0% to 100%.

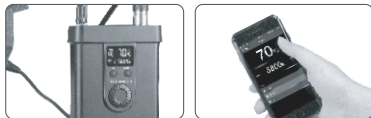


⚠ Overheat Warning

Over heat occurs when the HP appeared on the controller's display and blinked on the display. It is recommended to turn off the light and cool it down before reuse to avoid destroying the light beads.

Wireless Control (Smartphone APP through Bluetooth)

Godox UL series LED lights can also be controlled by smartphone APP through Bluetooth with 6 groups and 16 channel.



● **Bluetooth connection:** power the LED light on and long press the GR/CH button until a Bluetooth ID is displayed on the controller. Then, open the "GodoxPhoto" APP, click the Bluetooth and choose the corresponding Bluetooth ID of the controller. Finally, enter the password (the initial password is "000000"), and the Bluetooth is successfully connected.

Note: The channels and groups of LED controller and APP should be adjusted to the same.

● **LED control:** please find more details in the "GodoxPhoto" APP of smartphone: Setting---Help---LED.



Warning

Operating frequency: 433.05MHz-434.79MHz(433MHz only receive)/2402MHz - 2480MHz(BT)

Maximum EIRP Power: 3.01dBm

Declaration of Conformity

GODOX Photo Equipment Co.,Ltd. hereby declares that this equipment are in compliance with the essential requirements and other relevant provisions of Directive 2014/53/EU. In accordance with Article 10(2) and Article 10(10), this product is allowed to be used in all EU member states. For more information of DoC, Please click this web link:

https://www.godox.com/DOC/Godox_UL150_DOC.pdf

The device complies with RF specifications when the device used at 0mm from your body.

Technical Data

Silent LED Video Light		UL150
Power Supply	DC Power supply	AC100V-240V(50/60HZ)/2A(DC16.8V 10A)
	Lithium battery	V-port battery(separately sold)
Power		150W
Color Temperature		5600±200K
100% Light Brightness (LUX, 1m)(≈)		58000
CRI(≈)		96
TLCl(≈)		97
Light Brightness Range		0%-100%
Operation Temperature		-10°C~40°C
Channel		16
Group		6 groups (A, B, C, D, E, F)
BT Frequency Range		2402.0-2480.0MHz
Max. Transmitting Power		5dbm
Dimension		316.9*217.8*170mm
Net Weight		Light: 3.09Kg Controller: 0.86Kg Adapter: 0.72Kg

Note: The illumination value will be different when changing different accessories.

FCC Statement

This device complies with part 15 of the FCC Rules. Operation is subject to the following two conditions: (1) This device may not cause harmful interference, and (2) this device must accept any interference received, including interference that may cause undesired operation.

Any Changes or modifications not expressly approved by the party responsible for compliance could void the user's authority to operate the equipment.

Note: This equipment has been tested and found to comply with the limits for a Class B digital device, pursuant to part 15 of the FCC Rules. These limits are designed to provide reasonable protection against harmful interference in a residential installation. This equipment generates uses and can radiate radio frequency energy and, if not installed and used in accordance with the instructions, may cause harmful interference to radio communications. However, there is no guarantee that interference will not occur in a particular installation. If this equipment does cause harmful interference to radio or television reception, which can be determined by turning the equipment off and on, the user is encouraged to try to correct the interference by one or more of the following measures:

- Reorient or relocate the receiving antenna.
- Increase the separation between the equipment and receiver.
- Connect the equipment into an outlet on a circuit different from that to which the receiver is connected.
- Consult the dealer or an experienced radio/TV technician for help.

The device has been evaluated to meet general RF exposure requirement.

The device can be used in portable exposure condition without restriction.

产品保修

尊敬的用户，本保修卡是申请保修服务的重要凭证，请您配合销售商填写并妥善保管，谢谢！

产品信息	型号	产品条码
用户信息	姓名	联系电话
	通信地址	
销售商信息	名称	
	联系电话	
	通信地址	
	销售日期	
备注		

注：此表应由销售商盖章确认。

适用产品

本文件适用于相关《产品保修信息》(见后面说明)所列产品，其他非属此范围的产品或部件(如促销品、赠品及其他出厂后附加的部件等)不在此保修承诺内。

保修期

产品及部件的相应保修期按相关的《产品保修信息》执行。保修期自产品首次购买日起算，购买日以购买产品时保修卡登记日期为准。

如何获得保修服务

要保修服务，您可直接与产品销售商或授权服务机构联系，也可拨打神牛产品售后服务电话，与我们联系，由我们的服务人员为您安排服务。申请保修时，您应提供有效的保修卡作为保修凭证，方可获得保修。如您不能提供有效的保修卡，则在我们可确认产品或部件属于保修范围的情况下，也可以为您提供保修，但这不作为我们的义务。

不适用保修的情况

如产品存在下列情况，本文件项下的保证和服务将不适用 ①产品或部件超过相应保修期；②错误或不当使用、维护或保管导致的故障或损坏，如：不当搬运；非按产品合理预期用途使用；不当插拔外接设备；跌落或外力挤压；接触或暴露于不当温度、溶剂、酸碱、水浸或潮湿环境；③由非神牛授权机构或人员安装、修理、更改、添加或拆卸造成的故障或损坏；④产品或部件原有识别信息被修改变更或删除；⑤无有效保修卡；⑥使用非法授权、非标准或非公开发行的软件造成的故障或损坏；⑦因不可抗力或意外事件造成的故障或损坏；⑧其他非因产品本身质量问题导致的故障或损坏。遇上述情况，您应向相关责任方寻求解决，神牛对此不承担任何责任。因非在保修期或保修范围内的部件、附件或软件导致产品不能正常使用的，不是保修范围内的故障。产品使用过程中正常的脱色，磨损和消耗，不是保修范围内的故障。

产品保修和服务支持信息

产品的保修期和服务类型按以下《产品保修信息》执行：

产品类别	选件名称	保修期(月)	保修服务类型
部件	电路板	12	客户送修
	电池	3	客户送修
	充电器、电源线，同步线等带电性能的部件。	12	客户送修
其他	如闪光管、造型灯泡、外壳、保护罩、锁紧装置、包装等。	无	无保修

神牛产品售后服务电话 0755-29609320-8062

Warranty

Dear customers, as this warranty card is an important certificate to apply for our maintenance service, please fill in the following form in coordination with the seller and safekeep it. Thank you!

Product Information	Model	Product Code Number
Customer Information	Name	Contact Number
	Address	
Seller Information	Name	
	Contact Number	
	Address	
	Date of Sale	
Note:		

Note: This form shall be sealed by the seller.

Applicable Products

The document applies to the products listed on the **Product Maintenance Information** (see below for further information). Other products or accessories (e.g. promotional items, giveaways and additional accessories attached, etc.) are not included in this warranty scope.

Warranty Period

The warranty period of products and accessories is implemented according to the relevant Product Maintenance Information. The warranty period is calculated from the day (purchase date) when the product is bought for the first time. And the purchase date is considered as the date registered on the warranty card when buying the product.

How to Get the Maintenance Service

If maintenance service is needed, you can directly contact the product distributor or authorized service institutions. You can also contact the Godox after-sale service call and we will offer you service. When applying for maintenance service, you should provide valid warranty card. If you cannot provide valid warranty card, we may offer you maintenance service once confirmed that the product or accessory is involved in the maintenance scope, but that shall not be considered as our obligation.

Inapplicable Cases

The guarantee and service offered by this document are not applicable in the following cases: ①. The product or accessory has expired its warranty period; ②. Breakage or damage caused by inappropriate usage, maintenance or preservation, such as improper packing, improper usage, improper plugging in/out external equipment, falling off or squeezing by external force, contacting or exposing to the improper temperature, solvent, acid, base, flooding and damp environments, etc; ③. Breakage or damage caused by non-authorized institution or staff in the process of installation, maintenance, alteration, addition and detachment; ④. The original identifying information of product or accessory is modified, alternated, or removed; ⑤. No valid warranty card; ⑥. Breakage or damage caused by using illegally authorized, nonstandard or non-public released software; ⑦. Breakage or damage caused by force majeure or accident; ⑧. Breakage or damage that could not be attributed to the product itself. Once met these situations above, you should seek solutions from the related responsible parties and Godox assumes no responsibility. The damage caused by parts, accessories and software that beyond the warranty period or scope is not included in our maintenance scope. The normal discoloration, abrasion and consumption are not the breakage within the maintenance scope.

Maintenance and Service Support Information

The warranty period and service types of products are implemented according to the following **Product Maintenance Information**:

Product Type	Name	Maintenance Period(month)	Warranty Service Type
Parts	Circuit Board	12	Customer sends the product to designated site
	Battery	3	Customer sends the product to designated site
	Electrical parts e.g. battery charger, power cord, sync cable, etc.	12	Customer sends the product to designated site
Other Items	Flash tube, modeling lamp, lamp body, lamp cover, locking device, package, etc.	No	Without warranty

Godox After-sale Service Call **0755-29609320-8062**