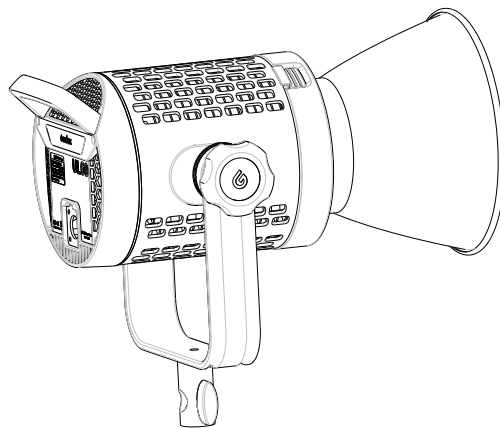


Godox

静音LED摄影灯
SILENT LED VIDEO LIGHT

UL60



深圳市神牛摄影器材有限公司

地址: 深圳市宝安区福海街道塘尾社区耀川工业区厂房2栋

电话: 0755-29609320(8062) 传真: 0755-25723423 邮箱: godox@godox.com

GODOX Photo Equipment Co., Ltd.

Add: Building 2, Yaochuan Industrial Zone, Tangwei Community, Fuhai Street, Bao'an District,

Shenzhen, China Tel: +86-755-29609320(8062) Fax: +86-755-25723423 E-mail: godox@godox.com

godox.com

Made in China



使用手册
Instruction Manual

前言

感谢您购买神牛产品！

静音版LED摄影灯UL60非常适用于直播拍摄、视频录制、采访布光等多种场合。控制盒与灯体分离，操控方便。光源稳定，显色性好，功能强大。

主要特点：

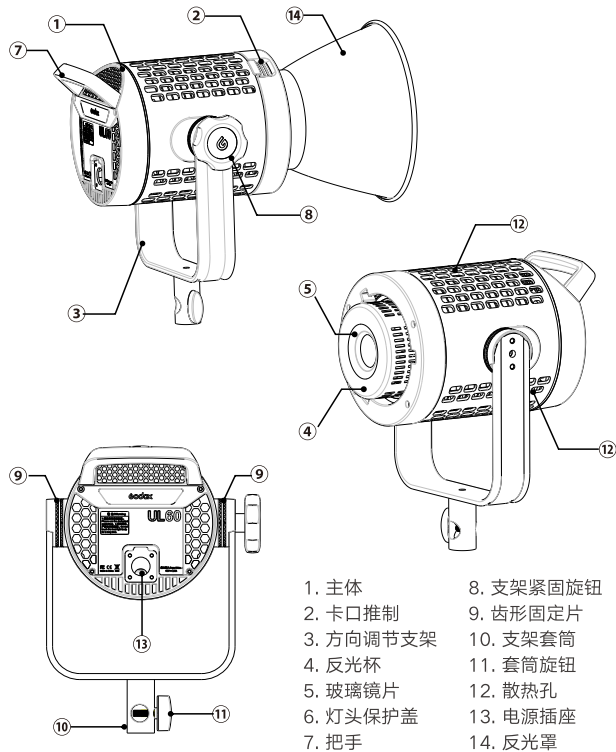
- 光源稳定，亮度高且可自由调节
- 支持2.4G、手机APP、DMX远程分组操控
- 内置8种光效，轻松实现创意拍摄
- 灯体，控制器分离，操控更便捷，散热性更佳
- U型支架设计，可吊装，角度调节更方便
- 小巧轻便，为各类场景提供可移动的光源
- 保荣卡口，支持安装各类光效附件

警告

- ⚠ 请勿私自拆卸产品，如产品出现故障须由本公司或授权的维修人员进行检查维修。
- ⚠ 此机有温度保护功能，当温度过高时进入保护状态，当温度降低后恢复正常。
- ⚠ 摄影灯采用电源插头做为断接装置，应保持随时便于操作。
- ⚠ 本产品不能防水，在雨天及潮湿的环境下注意防水。
- ⚠ 在不使用时，请断开电源。

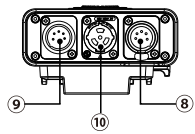
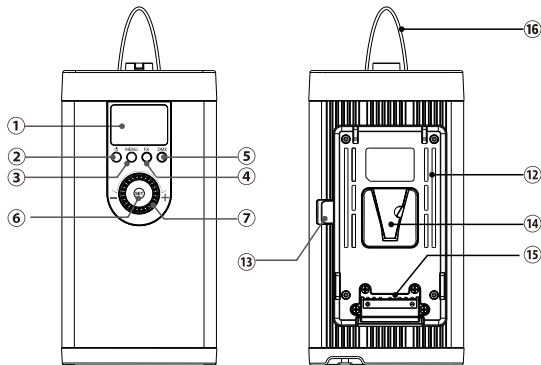
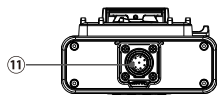
部件名称

• 主机



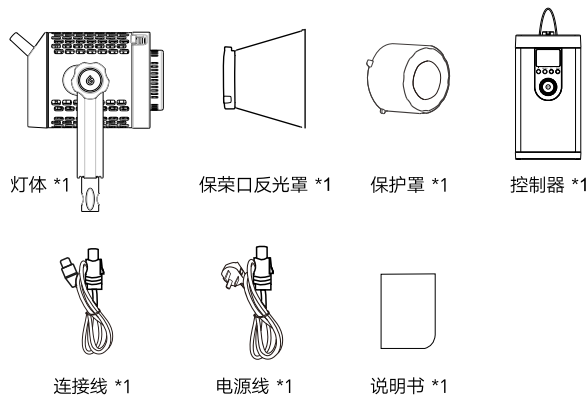
- | | |
|-----------|-----------|
| 1. 主体 | 8. 支架紧固旋钮 |
| 2. 卡口推制 | 9. 齿形固定片 |
| 3. 方向调节支架 | 10. 支架套筒 |
| 4. 反光杯 | 11. 套筒旋钮 |
| 5. 玻璃镜片 | 12. 散热孔 |
| 6. 灯头保护盖 | 13. 电源插座 |
| 7. 把手 | 14. 反光罩 |

• 控制盒



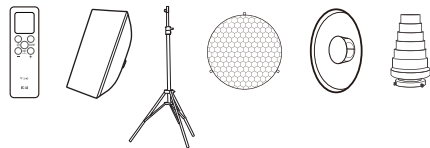
- | | |
|------------------|------------------|
| 1. 显示屏 | 9. DMX输出控制接口(母插) |
| 2. 开关按键 | 10. 电源输入端 |
| 3. MENU按键 | 11. 电源输出端 |
| 4. FX按键 | 12. 电池背夹 |
| 5. DMX按键 | 13. 电池推钮 |
| 6. SET按键 | 14. 电池卡座 |
| 7. +-调节拨轮 | 15. 电池触针底座 |
| 8. DMX输出控制接口(公插) | 16. 钢丝线 |

标配物品



可选配购附件

可搭配本公司以下摄影附件使用，以获得最佳的拍摄效果和使用体验：
RC-A6遥控器、柔光箱、灯架、蜂巢、雷达罩、束光筒等



供电方式

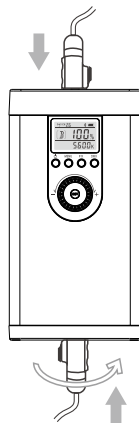
• 第一种：AC电源供电

1. 将电源连接线两端分别对准控制器电源输出接口和灯体电源输入接口插入，听到“咔”声表示插到位。

2. 将电源线输出端对准控制器输入接口插入，然后向右旋转15°，听到“咔”声表示装到位。电源线拔出方式：将电源线输出端的推钮往外推同时向左旋转15°拔出即可。

3. 电源线插入插座，接通电源。

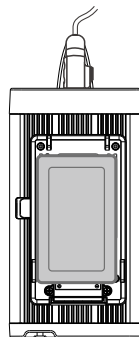
连接线拔出方式：将连接线端上的弹片按压同时拔出即可。



• 第二种：V口电池供电

直接将V口电池插入控制盒电池背夹上，打开电源开关即可使用。

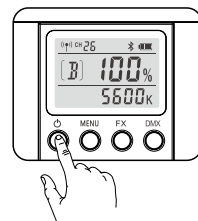
注：V口电池请使用标准电压为14.8V，请勿使用电压超过16.8V的电池供电。



操作说明

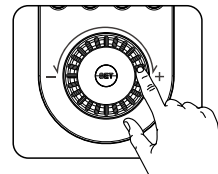
• 开关：

短按电源开关键，LED灯亮，再短按一次LED灯灭。



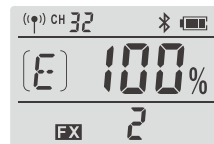
• 亮度调节：

在主界面，拨动+-调节拨轮，可进行亮度调节(0~100%)。



• 光效模式设置

在常态下，短按一次FX按键，进入光效模式界面，拨动+-调节拨轮可选择光效场景。FX光效模式有8种(OFF/1~8)，模拟各种拍摄场景，轻松实现创意光效。



显示	FX1	FX2	FX3	FX4	FX5	FX6	FX7	FX8
场景	Flash 1	Flash 2	Flash 3	Storm 1	Storm 2	Storm 3	TV	坏灯泡

设置好后再次短按FX按键或SET键返回到主界面。

注：选择1~8光效场景，主界面显示FX图标及光效类型，并可调节亮度，不显示色温；若选择OFF档位，主界面不显示FX图标，显示色温。

控制模式选择

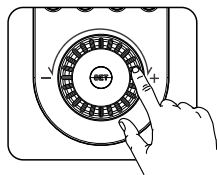
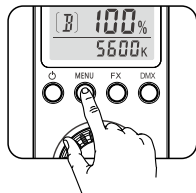
• 1. 2.4G无线控制：

静音LED摄影灯UL60具有2.4G无线接收功能，可另购遥控器RC-A6进行无线遥控，使用2.4G无线技术功能，可同时分别控制16组LED灯，32个频道，99个无线ID，抗干扰强。

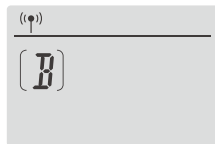
注：使用前请把遥控器与LED灯的频道(CH),组别(GR), ID设为一致，LED灯在开机的状态下才能接收无线信号。

• CH频道调节/GR组别调节/ID值调节：

在主界面，短按一次MENU按键，再拨动+-调节拨轮可进行CH频道、GR组别、ID值进行切换调节；在CH频道界面，短按一次SET键，参数图标闪烁；然后拨动+-调节拨轮可进行频道(CH)调节(1~32)；调节好后短按SET键确认，参数图标停止闪烁。



在GR组别界面，短按一次SET键，参数图标闪烁；然后拨动+-调节拨轮可进行组别(GR)调节(A-F、0-9)，调节好后短按SET键确认，参数图标停止闪烁。



在ID界面，短按一次SET键，参数图标闪烁；然后拨动+-调节拨轮可进行ID调节(1~99 / OFF)，调节好后短按SET键确认，参数图标停止闪烁。

设置好后短按MENU键，返回到主界面。

注：10秒后无操作自动返回到主界面。



• 2. 蓝牙控制：

2.1 蓝牙编号显示&蓝牙重置功能

查看蓝牙编码：在主界面，短按一次MENU按键，再拨动+-调节拨轮切换，显示屏上方出现蓝牙符号即可见蓝牙编码。

蓝牙重置功能：在蓝牙编码界面长按SET按键2秒，蓝牙图标闪烁，可实现蓝牙重置功能。再短按MENU键，返回到主界面。

注：LED灯蓝牙默认开启状态。

首个移动设备(手机或平板电脑)可直接使用APP操控灯体。更换其他移动设备(手机或平板电脑)时，灯体进行蓝牙重置后，方可正常使用APP连接。



2.2 直接扫二维码即可下载“Godox Light”手机APP。（安卓和苹果系统都可以使用）

手机APP操作请打开APP里的“帮助”，里面有详细教程。



3. DMX控制设置

在主界面，短按一次DMX按键，进入DMX界面，参数图标为闪烁状态，然后拨动+-调节拨轮可进行DMX通道设置(1~512)。常规选择模式每次调节1个单元值，快速调节10个单元值。



设置好后短任意按一次SET键或DMX按键，返回到主界面。

DMX参数表：

运行模式 地址码	CCT	FX	备注
n(模式)	0-51	52-255	
n+1	DMX*(100/255) 取整数 0-100%亮度调节	DMX*(100/255) 取整数 0-100%亮度调节	
n+2		DMX*(特效总数/255)	例如：特效总数8, DMX=160, 特效号160*8/255=5

产品参数

静音LED摄影灯	UL60	
供电方式	AC电源供电	100~240V 50/60HZ 0.9A
	V口电池	标准电压：14.8V（另购）
功率	60W	
色温	5600K±300K	
100%光照度(LUX) 暗室，1米距离(≈)	31000	
CRI	≥96	
TLCI	≥97	
调光范围	0~100%	
频道(CH)	32个	
组别 (GR)	16个	
工作环境温度	-10~40℃	
控制方式	手机APP/2.4G无线遥控/DMX控制	
2.4G无线传输距离(≈)	50米	
产品尺寸(≈)	灯体：225*119*263mm(含U型支架及套筒)	
	控制盒：268*113*64mm	
净重(≈)	灯体：2.38kg	
	控制盒：0.94kg	

* 设计和规格如有变更，恕不另行通知。

维护保养

- 1年保修，消耗品电池，电源线，电源连接线等配件不在此保修范围内
- 经发现，擅自检修此补光灯的，将取消LED灯之一年保修期，维修需要收取相关费用。
- 对于不规范操作引起的机器故障不在保修范围内。
- 所有维修概由本厂指定可供原厂配件之维修部负责。
- 为了防止灰尘的堆积影响到产品的性能，请定时用干净的湿布轻轻擦拭产品外部。
- 如果本品出现故障或者被水淋湿，在专业人员维修后方可继续使用。
- 设计和规格如有变更，恕不另行通知。

本设备包含型号核准代码为：CMIIT ID:2020DP13510，为该产品的无线电发射模块。

Foreword

Thank you for purchasing this Godox Product!
Silent LED Video Light UL60 is suitable for live recording, video shooting and photojournalistic shooting. UL60 is very convenient due to the separation design of main body and controller. UL series create stable light resource and even illumination for photography.

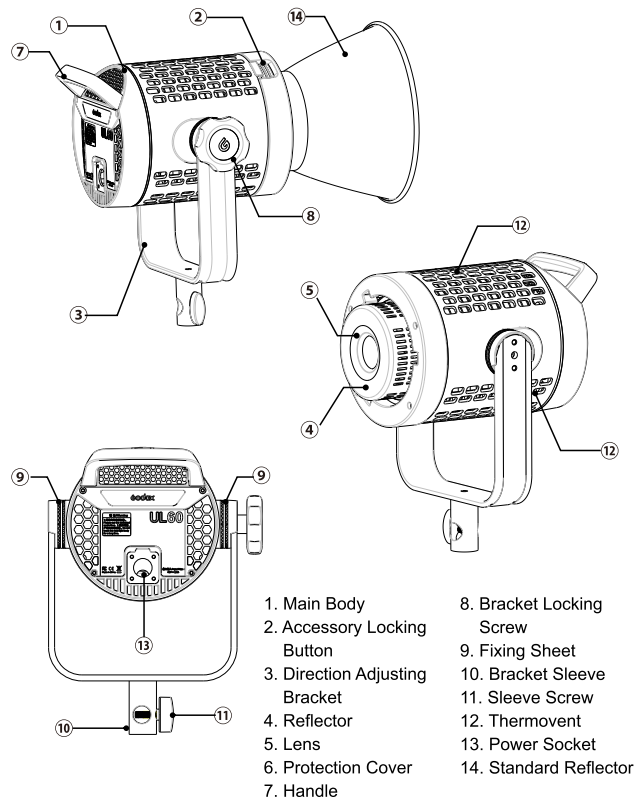
Main Features:

- With stable light source and adjustable light brightness
- Can be remote controlled by 2.4G, smartphone APP and DMX
- Support 8 light effects to achieve creative shooting
- Adapter and controller are separate from the main light body, which offers more convenient operation and better heat dissipation
- With U-type bracket to adjust different angles easily
- Lightweight, portable and suitable for multiple scenes
- Bowens-mount supports various of accessories

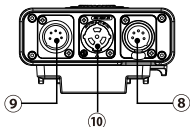
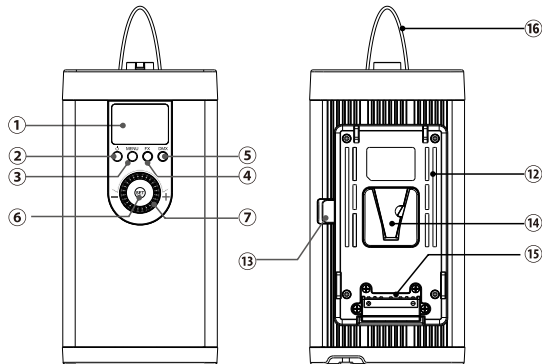
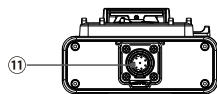
⚠ Warning

- ⚠ Always keep this product dry. Do not use in rain or in damp conditions.
- ⚠ Do not disassemble. Should repairs become necessary, this product must be sent to an authorized maintenance center.
- ⚠ Keep out of reach of children.
- ⚠ As this product do not have waterproof function, please take measures of waterproof in rainy or damp environment.
- ⚠ As this product may heat up in working, please do not touch.

Name of Body

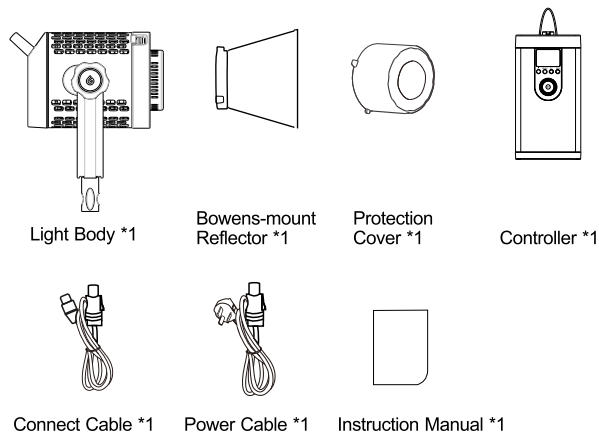


• Controller



- | | |
|-----------------------------|----------------------------|
| 1. Display | 10. Power Input |
| 2. Power Switch | 11. Power Output |
| 3. MENU Button | 12. Battery Clip |
| 4. FX Button | 13. Battery Release Button |
| 5. DMX Button | 14. Battery Compartment |
| 6. SET Button | 15. Battery Base |
| 7. + - Select Dial | 16. Steel Cable |
| 8. DMX Output Port (male) | |
| 9. DMX Output Port (female) | |

Included Items



Optional Accessory

Purchase more accessories to achieve better shooting experience:
e.g. RC-A6 Remote control, softbox, light stand, honey comb, beauty dish, snoot, etc.



Power Supply

AC Power Supply

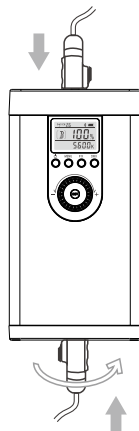
1. Insert the two ends of power source connect cable into the controller's power output port and light's power input port until a "click" can be heard.

Pull out the connect cable: press down the PUSH button and pull out the cable simultaneously.

2. Insert the power cable's output end into the controller's input port. Then, rotate it rightwards to 15° until a "click" can be heard.

Pull out the power cable: press the PUSH button on the output end of power cable and rotate it leftwards to 15° to pull out.

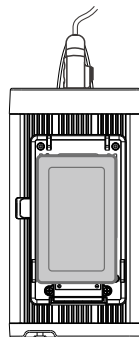
3. Connect power cable into the power source.



V-port Battery Power Supply (Optional)

Install the V-port battery onto the controller's battery compartment. Then, power the light on to operate.

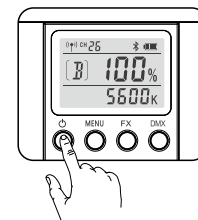
Note: please use the standard V-port battery with 14.8V standard voltage. Do not supply power with the battery whose voltage is over 16.8V.



Operation

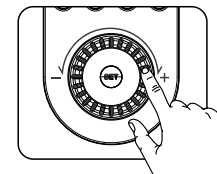
• Power switch:

Short press the power switch, and the LED light will be lighted on. Press the button again to turn off the light.



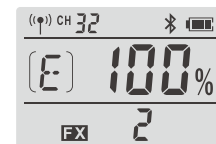
• Brightness adjustment:

In the main interface, turn the select dial to adjust brightness from 0% to 100%.



• Light effects setting:

In normal status, short press the FX button once to enter the setting interface. Then, turn the select dial to choose light effects from OFF and 1 to 8.



Display	FX1	FX2	FX3	FX4	FX5	FX6	FX7	FX8
Scene	Flash 1	Flash 2	Flash 3	Storm 1	Storm 2	Storm 3	TV	Broken bulb

Short press the FX button or SET button to back to the main interface after settings finished.

Note: If a light effect is selected from 1 to 8, the FX icon and light effects will be displayed on the main interface. And the brightness can be adjusted. The color temperature will not be displayed.

If choose OFF, the color temperature will be displayed instead of FX icon.

Control Mode Selection

1. 2.4G Wireless Control

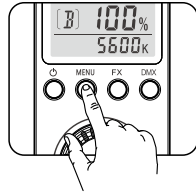
With 2.4G wireless system, S60 focusing LED video light has remote grouping and control function. It is recommended to purchase RC-A6 remote control (optional) to achieve wireless control. LED lights with 16 groups can be controlled. 32 channels and 99 IDs are available with strong anti-interference capability.

Note:

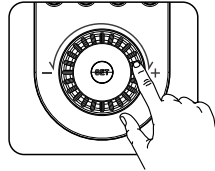
1. Please make LED light's channel, group and ID to the same as remote control's.
2. The wireless signals can only be received in the situation that the LED light is powered on.

CH Channel Adjustment/GR Group Adjustment/ID Value Adjustment

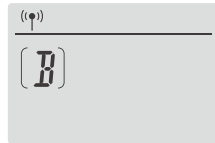
In main interface, short press MENU button once and turn the select dial to adjust channel, group and ID values.



In CH channel setting interface, short press SET button and the channel icon will blink. Then, turn the select dial to choose channel from 1 to 32. Press the SET button to confirm and the icon will stop blinking.



In GR channel setting interface, short press SET button and the group icon will blink. Then, turn the select dial to choose group from A to F and 0 to 9. Press the SET button to confirm and the icon will stop blinking.



In ID channel setting interface, short press SET button and the group icon will blink. Then, turn the select dial to choose group from OFF and 1 to 99. Press the SET button to confirm and the icon will stop blinking.



After setting all these parameters, short press SET button to confirm and back to the main interface.

Note: the LED light will auto return to the main interface if there's no operation after 10 seconds.

2. Bluetooth Control

2.1 Bluetooth Code Display & RESET Function

Check Bluetooth code: in main interface, short press MENU button. Then, press the select dial to switch the icons. The Bluetooth icon will be displayed after Bluetooth icon appeared.



Bluetooth reset function: in the Bluetooth code interface, long press the SET button for 2 seconds and the Bluetooth icon will blink because of resetting. And the icon will stop blinking after successfully reset. Then, short press the MENU button to return to main interface.

Note: The LED light's Bluetooth function should be turned on. The APP can be used directly on the firstly installed device (smartphone or iPad). When change to other mobile device (smartphone or iPad), the light shall be reset before the normal connection of APP.

2.2 Scan the QR code to download the "Godox Light" smartphone APP (can be used in Android and Apple).

For more smartphone APP operations, please open the "help" in APP to gain detailed guidance.



3. DMX Control Mode

In main interface, short press DMX button to enter the DMX interface and the icon will be blinking. Then, turn the select dial to set the DMX channel from 1 to 512. Adjustment in 10 values quickly or 1 value normally.

Short press SET or DMX button to back to the main interface after finished all settings.



DMX Parameters:

Operation Code	Mode	CCT	FX	Note
n	(Mode)	0-51	52-255	
n+1		DMX*(100/255) Integer 0-100% Brightness	DMX*(100/255) Integer 0-100% Brightness	
n+2			DMX*(total light effects/255)	For example: total light effects 8, DMX=160, light effects No.=160*8/255=5

Technical Data

Silent LED Video Light	UI60	
Power Supply	AC Power Supply	100~240V 50/60HZ 0.9A
	V-port battery	Standard voltage: 14.8V (optional)
Output Power	60W	
Color Temperature	5600K±300K	
100% Illuminance(LUX) (1m,darkroom) (≈)	31000	
CRI	≥96	
TLCI	≥97	
Brightness Range	0~100%	
Channel(CH)	32	
Group (GR)	16	
Working Environment Temperature	-10~40°C	
Control Method	Smartphone APP/2.4G wireless	
	remote control/ DMX control	
2.4G Wireless Transmission Distance (≈)	50m	
Dimension (≈)	Light body: 225*119*263mm (included U-type bracket and sleeve)	
	Controller: 268*113*64mm	
New weight(≈)	Light body: 2.38kg	
	Controller: 0.94kg	
BT Frequency Range	2402.0-2480.0MHz	
Max. Transmitting Power	5dbm	

* Product design and specifications are subject to change without notice.

Maintenance

This product, except consumables e.g. battery, power cable and connect cable, is supported with a one-year warranty.

Avoid sudden impacts and the product should be dedusted regularly.

Maintenance of the flash must be performed by our authorized maintenance department which can provide original accessories.

Unauthorized service will void the warranty.

If the product had failures or was wetted, do not use it until it is repaired by professionals.

Changes made to the specifications or designs may not be reflected in this manual.

FCC Statement

This device complies with part 15 of the FCC Rules. Operation is subject to the following two conditions: (1) This device may not cause harmful interference, and (2) this device must accept any interference received, including interference that may cause undesired operation.

Any Changes or modifications not expressly approved by the party responsible for compliance could void the user's authority to operate the equipment.

Note: This equipment has been tested and found to comply with the limits for a Class B digital device, pursuant to part 15 of the FCC Rules. These limits are designed to provide reasonable protection against harmful interference in a residential installation. This equipment generates uses and can radiate radio frequency energy and, if not installed and used in accordance with the instructions, may cause harmful interference to radio communications. However, there is no guarantee that interference will not occur in a particular installation. If this equipment does cause harmful interference to radio or television reception, which can be determined by turning the equipment off and on, the user is encouraged to try to correct the interference by one or more of the following measures:

- Reorient or relocate the receiving antenna.
- Increase the separation between the equipment and receiver.
- Connect the equipment into an outlet on a circuit different from that to which the receiver is connected.
- Consult the dealer or an experienced radio/TV technician for help.

The device has been evaluated to meet general RF exposure requirement.

The device can be used in portable exposure condition without restriction.

1. The light source contained in this luminaire shall only be replaced by the manufacturer or his service agent or a similar qualified person.
2. The lamp shall be changed if it has become damaged or thermally deformed.
3. The luminaire is intended for professional use only.

Warning

Operating frequency:2412.99MHz – 2464.49MHz(2.4G only receive)/2402MHz – 2480MHz (BT)

Maximum EIRP Power: 9.06dBm

Declaration of Conformity

GODOX Photo Equipment Co.,Ltd. hereby declares that this equipment are in compliance with the essential requirements and other relevant provisions of Directive 2014/53/EU. In accordance with Article 10(2) and Article 10(10), this product is allowed to be used in all EU member states.For more information of DoC, Please click this web link:

https://www.godox.com/DOC/Godox_UL60_DOC.pdf

The device complies with RF specifications when the device used at 0mm from your body.

合格证
QC PASS

产品保修

尊敬的用户，本保修卡是申请保修服务的重要凭证，请您配合销售商填写并妥善保管，谢谢！

产品信息	型号	产品条码
用户信息	姓名	联系电话
	通信地址	
销售商信息	名称	
	联系电话	
	通信地址	
	销售日期	
备注		

注：此表应由销售商盖章确认。

适用产品

本文件适用于相关《产品保修信息》(见后面说明)所列产品，其他非属此范围的产品或部件(如促销品、赠品及其他出厂后附加的部件等)不在此保修承诺内。

保修期

产品及部件的相应保修期按相关的《产品保修信息》执行。保修期自产品首次购买日起算，购买日以购买产品时保修卡登记日期为准。

如何获得保修服务

要保修服务，您可直接与产品销售商或授权服务机构联系，也可拨打神牛产品售后服务电话，与我们联系，由我们的服务人员为您安排服务。申请保修时，您应提供有效的保修卡作为保修凭证，方可获得保修。如您不能提供有效的保修卡，则在我们可确认产品或部件属于保修范围的情况下，也可以为您提供保修，但这不作为我们的义务。

不适用保修的情况

如产品存在下列情况，本文件项下的保证和服务将不适用 ①产品或部件超过相应保修期；②错误或不当使用、维护或保管导致的故障或损坏，如：不当搬运；非按产品合理预期用途使用；不当插拔外接设备；跌落或外力挤压；接触或暴露于不适当温度、溶剂、酸碱、水浸或潮湿环境；③由非神牛授权机构或人员安装、修理、更改、添加或拆卸造成的故障或损坏；④产品或部件原有识别信息被修改变更或除去；⑤无有效保修卡；⑥使用非合法授权、非标准或非公开发行的软件造成的故障或损坏；⑦因不可抗力或意外事件造成的故障或损坏；⑧其他非因产品本身质量问题导致的故障或损坏。遇上述情况，您应向相关责任方寻求解决，神牛对此不承担任何责任。因非在保修期或保修范围内的部件、附件或软件导致产品不能正常使用的，不是保修范围内的故障。产品使用过程中正常的脱色，磨损和消耗，不是保修范围内的故障。

产品保修和服务支持信息

产品的保修期和服务类型按以下《产品保修信息》执行：

产品类别	选项名称	保修期(月)	保修服务类型
部件	电路板	12	客户送修
	电池	3	客户送修
	充电器、电源线，同步线等带电性能的部件。	12	客户送修
其他	如闪光管、造型灯泡、外壳、保护罩、锁紧装置、包装等。	无	无保修

神牛产品售后服务电话 0755-29609320-8062

Warranty

Dear customers, as this warranty card is an important certificate to apply for our maintenance service, please fill in the following form in coordination with the seller and safekeep it. Thank you!

Product Information	Model	Product Code Number
Customer Information	Name	Contact Number
	Address	
Seller Information	Name	
	Contact Number	
	Address	
	Date of Sale	
Note:		

Note: This form shall be sealed by the seller.

Applicable Products

The document applies to the products listed on the **Product Maintenance Information** (see below for further information). Other products or accessories (e.g. promotional items, giveaways and additional accessories attached, etc.) are not included in this warranty scope.

Warranty Period

The warranty period of products and accessories is implemented according to the relevant Product Maintenance Information. The warranty period is calculated from the day (purchase date) when the product is bought for the first time. And the purchase date is considered as the date registered on the warranty card when buying the product.

How to Get the Maintenance Service

If maintenance service is needed, you can directly contact the product distributor or authorized service institutions. You can also contact the Godox after-sale service call and we will offer you service. When applying for maintenance service, you should provide valid warranty card. If you cannot provide valid warranty card, we may offer you maintenance service once confirmed that the product or accessory is involved in the maintenance scope, but that shall not be considered as our obligation.

Inapplicable Cases

The guarantee and service offered by this document are not applicable in the following cases: ①. **The product or accessory has expired its warranty period;** ②. **Breakage or damage caused by inappropriate usage, maintenance or preservation, such as improper packing, improper usage, improper plugging in/out external equipment, falling off or squeezing by external force, contacting or exposing to the improper temperature, solvent, acid, base, flooding and damp environments, etc;** ③. **Breakage or damage caused by non-authorized institution or staff in the process of installation, maintenance, alternation, addition and detachment;** ④. **The original identifying information of product or accessory is modified, alternated, or removed;** ⑤. **No valid warranty card;** ⑥. **Breakage or damage caused by using illegally authorized, nonstandard or non-public released software;** ⑦. **Breakage or damage caused by force majeure or accident;** ⑧. **Breakage or damage that could not be attributed to the product itself.** Once met these situations above, you should seek solutions from the related responsible parties and Godox assumes no responsibility. The damage caused by parts, accessories and software that beyond the warranty period or scope is not included in our maintenance scope. The normal discoloration, abrasion and consumption are not the breakage within the maintenance scope.

Maintenance and Service Support Information

The warranty period and service types of products are implemented according to the following **Product Maintenance Information**:

Product Type	Name	Maintenance Period(month)	Warranty Service Type
Parts	Circuit Board	12	Customer sends the product to designated site
	Battery	3	Customer sends the product to designated site
	Electrical parts e.g. battery charger, power cord, sync cable, etc.	12	Customer sends the product to designated site
Other Items	Flash tube, modeling lamp, lamp body, lamp cover, locking device, package, etc.	No	Without warranty

Godox After-sale Service Call **0755-29609320-8062**