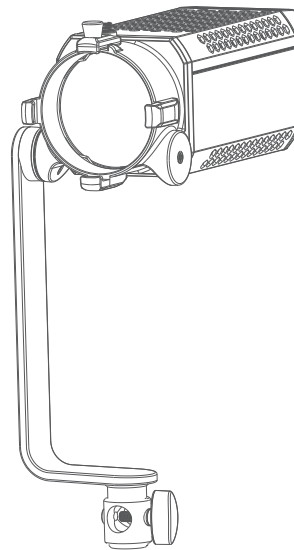


# Godox

## 双色温LED聚光灯 Bi-color Focusing LED Light

### S60<sup>Bi</sup>



合格证  
QC PASS

#### 深圳市神牛摄影器材有限公司

地址: 深圳市宝安区福海街道塘尾社区耀川工业区厂房2栋  
电话: 0755-29609320(8062) 传真: 0755-25723423 邮箱: godox@godox.com

#### GODOX Photo Equipment Co., Ltd.

Add.: Building 2, Yaochuan Industrial Zone, Tangwei Community, Fuhai Street, Bao'an District, Shenzhen 518103, China Tel: +86-755-29609320(8062)  
Fax: +86-755-25723423 E-mail: godox@godox.com

godox.com Made in China



说明手册  
Instruction Manual

## 前言

感谢您购买神牛产品!

LED聚光灯S60Bi作为一款专业影视灯具,具备光源稳定,高亮度,超高显色指数等优越性能。通过旋转灯体调焦旋钮进行调焦,调焦范围为6°-55°。可适用于以下场景:商业拍摄、摄影棚、影楼、人像拍摄、采访布光。

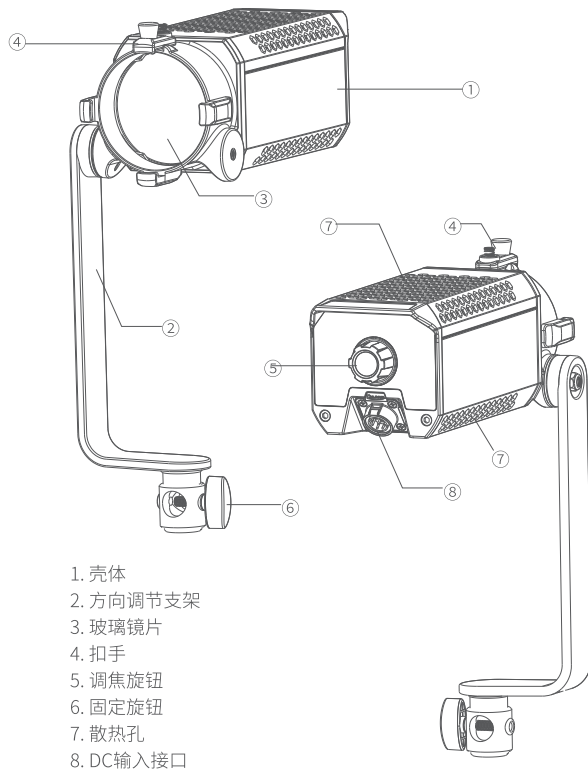
## 主要特点:

- 专门设计镜片,光效柔和,中心、边缘光效输出均匀,得到更佳拍摄效果
- 可变焦,能看到投影的硬度、大小、边缘对比度变化
- 配合丰富附件,精确控光,打造更多创意光效
- 带有2.4G、蓝牙无线传输功能、DMX功能
- 小巧轻便,为各类场景提供可移动的光源
- 宽广色温无极调节,调节范围为2800-6500K
- 静音模式:零噪音,无干扰
- 灯体/控制器分离,操控更便捷,散热性更佳
- 精准亮度,支持无极调节,调节范围为0~100%

## 警告

- ⚠ 请勿私自拆卸产品,如产品出现故障须由本公司或授权的维修人员进行检查维修。
- ⚠ 此机有温度保护功能,当温度过高时进入保护状态,当温度降低后恢复正常。
- ⚠ 摄影灯采用电源插头做为断接装置,应保持随时便于操作。
- ⚠ 本产品不能防水,在雨天及潮湿的环境下注意防水。
- ⚠ 在不使用时,请断开电源。
- ⚠ 请勿让儿童接触本品,以免发生意外。
- ⚠ 请勿将光源直射人的眼睛,可能产生不适。
- ⚠ 保存好本手册,以便日后查看使用。

## 部件名称 主机





## 供电方式

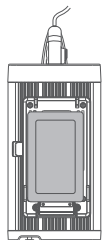
### • 第一种:AC电源供电

1. 按压着连接线的金属锁扣按钮, 将电源连接线两端分别对准控制器DC输出接口和灯体DC输入接口插入, 听到“咔”声表示插到位。

2. 将电源线输出端对准控制器AC输入接口插入, 然后向右旋转15°, 听到“咔”声表示装到位。 电源线拔出方式: 将电源线输出端的推钮往外推同时向左旋转15°拔出即可。

3. 电源线插入插座, 接通电源。

**连接线拔出方式:** 按压连接线金属锁扣按钮的同时, 拔出即可。



### • 第二种:V口电池(另购)供电

直接将V口电池插入控制盒电池背夹上, 打开电源开关即可使用。

注:V口电池请使用标准电压为14.8V, 请勿使用电压超过16.8V的电池供电。

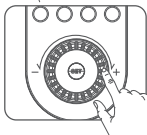
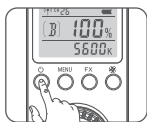
## 操作说明

### • 开关:

短按开关按键, LED灯体开启, 再次短按一次开关按键, LED灯体关闭。

### • 亮度调节:

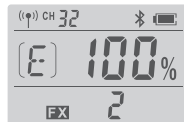
在主界面, 拨动调节拨轮, 可进行亮度调节(0~100%)。



### • 色温设置

**色温模式:** 主界面即为色温模式。

**色温调节:** 在主界面, 先短按SET按键, 色温数值闪烁后拨动调节拨轮, 可进行色温调节(2800K~6500K)。正常旋转100个单元值, 快速旋转500个单元值。



### • 光效模式设置

在常态下, 短按一次FX按键, 进入光效模式界面, 拨动调节拨轮可选择光效场景。FX光效模式有11种(OFF/1~11), 模拟各种拍摄场景, 轻松实现创意光效。

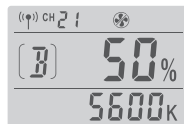
显示	FX1	FX2	FX3	FX4	FX5	FX6	FX7	FX8	FX9	FX10	FX11
场景	Flash 1	Flash 2	Flash 3	Storm 1	Storm 2	Storm 3	TV	坏灯泡	蜡烛	火	烟花

设置好后再次短按FX按键或SET按键退出光效模式, 返回到主界面。

注: 选择1~11光效场景, 主界面显示FX图标及光效类型, 并可调节亮度, 但不能设置色温; 若选择OFF档位, 主界面不显示FX图标, 显示色温。

### • 静音模式

在常态下, 短按风扇按键, 可进行风扇开关。主界面出现< >图标, 表示风扇关闭。风扇关闭时表示进入静音模式, 此时亮度可调范围为 0%-50%。



注: 默认状态为风扇开启, 显示屏上方无图标出现。

## 菜单设置

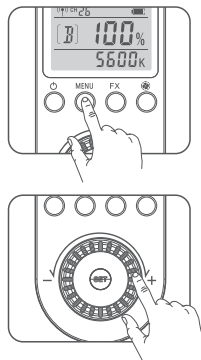
### • 1. 2.4G无线控制:

静音LED摄影灯S60Bi具有2.4G无线接收功能, 可另购遥控器RC-A6进行无线遥控, 使用2.4G无线技术功能, 可同时分别控制16组LED灯, 32个频道, 99个无线ID, 抗干扰强。

注: 使用前请把遥控器与LED灯的频道(CH), 组别(GR), ID设为一致, LED灯在开机的状态下才能接收无线信号。

## 1.1 CH频道调节/GR组别调节/ID值调节:

在主界面，短按一次MENU按键，再拨动调节拨轮可进行CH频道、GR组别、ID号、蓝牙编号显示、DMX512值循环切换选择，在CH频道，短按一次SET按键，参数图标闪烁；然后拨动调节拨轮可进行频道(CH)调节(1~32)；调节好后短按SET按键退出CH调节，参数图标停止闪烁。



选择GR组别，短按一次SET按键，参数图标闪烁；然后拨动调节拨轮可进行组别(GR)调节(A-F、0-9)，调节好后短按SET按键退出GR调节，参数图标停止闪烁。



选择ID号，短按一次SET按键，参数图标闪烁；然后拨动+-调节拨轮可进行ID调节(1~99 / OFF)，调节好后短按SET按键退出ID调节，参数图标停止闪烁。



设置好后短按MENU按键，返回到主界面。

**注:**10秒后无操作自动返回到主界面。

## • 2. 蓝牙控制

### 2.1 蓝牙编号显示&蓝牙重置功能

查看蓝牙编码：在主界面，短按一次MENU按键，再拨动调节拨轮切换选择，显示屏上方出现蓝牙符号即可见蓝牙编码。



蓝牙重置功能：在蓝牙编码界面长按SET按键2秒，蓝牙图标闪烁，可实现蓝牙重置功能。再短按MENU键，返回到主界面。

**注:**LED灯蓝牙默认开启状态。

首个移动设备(手机或平板电脑)可直接使用APP操控灯体。更换其他移动设备(手机或平板电脑)时，灯体进行蓝牙重置后，方可正常使用APP连接。

### 2.2 直接扫二维码即可下载“Godox Light”手机APP。(安卓和苹果系统都可以使用)



手机APP操作请打开APP里的“帮助”，里面有详细教程。

## • 3. DMX控制设置:

在主界面，短按一次MENU按键，再拨动调节拨轮切换选择，选择直到显示屏下方出现DMX参数图标。短按SET按键，此时参数图标闪烁，然后拨动调节拨轮可进行DMX通道设置(1~512)。正常调节1个单位值，快速调节10个单位值。调节好后短按SET按键确认，参数图标停止闪烁。再短按MENU按键，返回到主界面。



## DMX参数表:

运行模式 地址码	CCT	FX	备注
n(模式)	0-51	52-255	
n+1	DMX*(100/255) 取整数 0-100%亮度调节	DMX*(100/255) 取整数 0-100%亮度调节	
n+2	DMX*(最高色温-最低色温/100)/255取整数	DMX*(光效总数/255)	1. 色温调节(如:最低色温2800,最高色温6500, DMX=102,102*((6500-2800)/100)/255=14(对应色温 28+14*42*100=4200) 2. 光效调节:光效总数14, DMX=160,光效号=160*14/255=8

## S60BI照度数据

色温	测试条件	照度数据	1m	2m	3m
2800K	泛焦	lux	3010	761	352
		fc	280	70.7	32.7
	聚焦	lux	22400	5920	2740
		fc	2090	550	254
3200K	泛焦	lux	3710	950	436
		fc	345	88.2	40.5
	聚焦	lux	28000	7430	3410
		fc	2600	690	317
4300K	泛焦	lux	4310	1100	505
		fc	400	102	47
	聚焦	lux	32700	8690	3970
		fc	3030	807	369
5600K	泛焦	lux	4340	1110	509
		fc	403	103	47.3
	聚焦	lux	32900	8770	4000
		fc	3060	815	372
6500K	泛焦	lux	4290	1100	504
		fc	398	102	46.8
	聚焦	lux	33200	8690	3960
		fc	3090	808	368

注:上述测试皆在灯体100%亮度下进行。

## 产品参数

LED聚光灯	S60Bi	
供电方式	AC电源供电	100-240V 50/60Hz 0.9A.MAX
	V口电池	标准电压:14.8V(另购)
功率	最大77W	
色温	2800-6500K	
CRI	≈96	
TLCI	≈97	
调光范围	0~100%	
频道(CH)	32个(1~32)	
组别(GR)	16组(A~F, 0-9)	
照射角度	6°-55°	
工作环境温度	-10~40°C	
控制方式	手机APP/2.4G无线遥控/DMX控制/控制盒控制	
2.4G无线传输距离	≈50米	
蓝牙控制距离	≈30米	
产品尺寸(≈)	灯体:264*107*100mm	
	控制盒:233*112*61mm	
净重(≈)	灯体:1.36kg	
	控制盒:1kg	

\* 设计和规格如有变更,恕不另行通知。

## 维护保养

- 1年保修,消耗品电池,电源线,电源连接线等配件不在此保修范围内
- 经发现,擅自检修此补光灯的,将取消LED灯之一年保修期,维修需要收取相关费用。
- 对于不规范操作引起的机器故障不在保修范围内。
- 所有维修概由本厂指定可供原厂配件之维修部负责。
- 为了防止灰尘的堆积影响到产品的性能,请定时用干净的湿布轻轻擦拭产品外部。
- 如果本品出现故障或者被水淋湿,在专业人员维修后方可继续使用。
- 设计和规格如有变更,恕不另行通知。

本设备包含型号核准代码为: CMIIT ID:2020DP13510, 为该产品的无线电发射模块。

## Foreword

Thank you for purchasing Godox product!

Bi-Color Focusing LED Light S60Bi is a professional video light. It has stable light resource ,high brightness ,ultra high color rendering index, and adjustable focus range from 6°to 55°, which make it quite suitable for commercial shooting, studio shooting, portrait shooting and interview.

## Main Features:

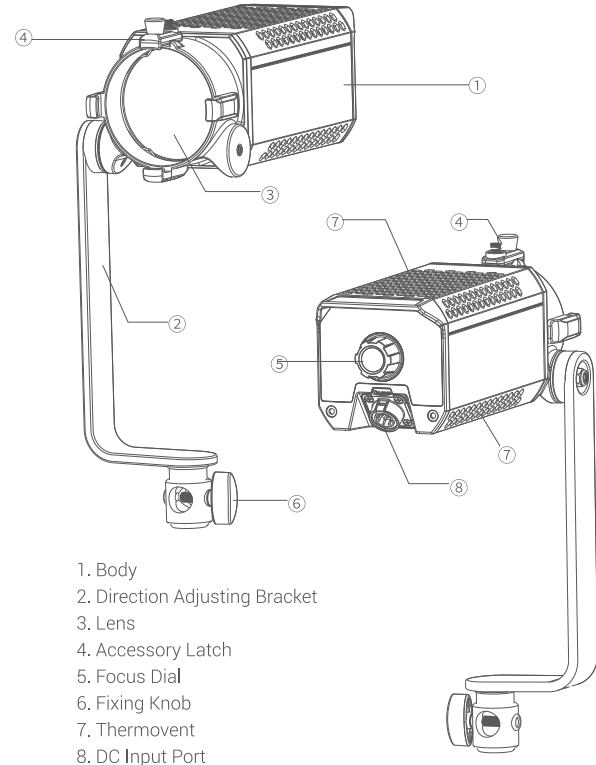
- With specially designed lens to gain soft and even light effect from center to edge
- Adjustable focusing range and light brightness enable you to observe the variation of shadow's hardness, dimension and edge contrast
- Precisely control the light and achieve more creative light effects when use in combination with abundant accessories
- Compact design offers great convenience, portability and wide application
- 2.4G, Bluetooth wireless transmission and DMX functions,
- Mute mode with no disturbance
- Separate design of light body and controller to achieve better cooling effect
- Stepless adjustments for CCT from 2800K to 6500K and brightness from 0 to 100%

## ⚠ Warning

- ⚠ Do not disassemble or modify, Should the product break down, send the defective back to the authorized service center for inspection and maintenance.
- ⚠ If this product overheats, it will cease operation and resume working after cooling down, This is due to the built-in over-temperature protection.
- ⚠ As this product adopts make and break device, please keep it easy to be used.
- ⚠ Keep dry. Do not handle with wet hands, immerse in water, or expose to rain.
- ⚠ Do not place in high temperature or high humidity conditions.
- ⚠ Keep out of reach of children.
- ⚠ Disconnect from the power supply when it will not be used for an extended period.
- ⚠ Do not fire the flash directly into the eyes. Otherwise visual impairment may occur.
- ⚠ Please read and keep this instruction manual carefully for future instruction.

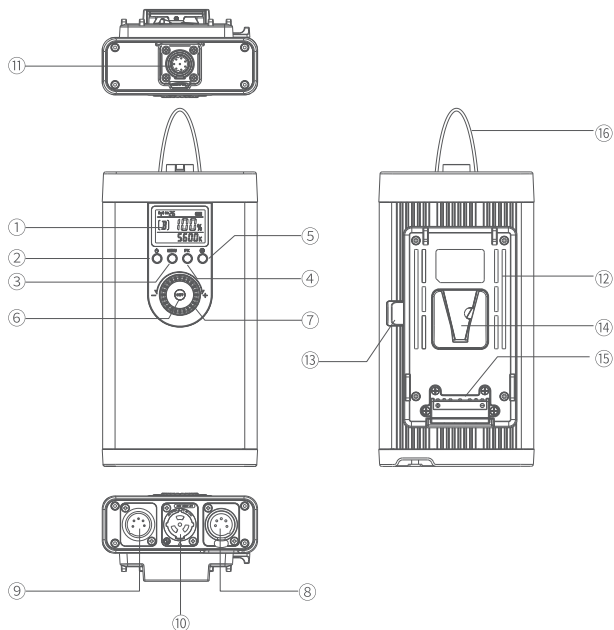
## Name of Body

### • Main Body



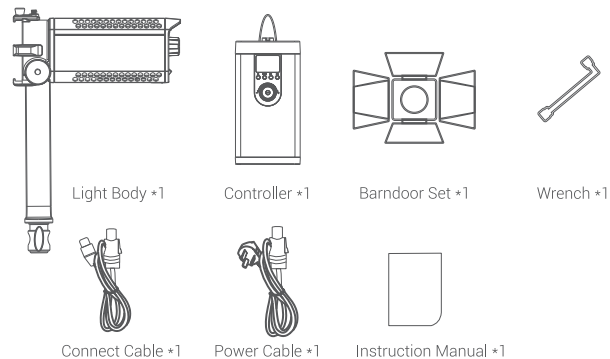
1. Body
2. Direction Adjusting Bracket
3. Lens
4. Accessory Latch
5. Focus Dial
6. Fixing Knob
7. Thermovent
8. DC Input Port

• Controller



- |                 |                             |                            |
|-----------------|-----------------------------|----------------------------|
| 1. Display      | 7. Select Dial              | 12. Battery Clip           |
| 2. Power Switch | 8. DMX Input Port (male)    | 13. Battery Release Button |
| 3. MENU Button  | 9. DMX Output Port (female) | 14. Battery Compartment    |
| 4. FX Button    | 10. AC Input Port           | 15. Battery Base           |
| 5. Fan Switch   | 11. DC Output Port          | 16. Steel Cable            |
| 6. SET Button   |                             |                            |

Included Items



Optional Accessory

The product can be used in combination with the following accessories sold separately, so as to achieve best photography effects.





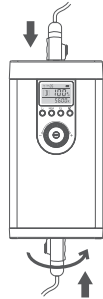
## Power Supply

### AC Power Supply

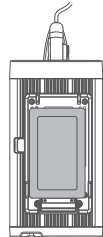
1. Press and hold the metal latch button of connect cable, insert the two ends of power source connect cable into the controller's DC output port and light's DC input port until a "click" can be heard.

2. Insert the power cable's output end into the controller's AC input port. Then, rotate it rightwards to 15° until a "click" can be heard.

Pull out the power cable: press the PUSH button on the output end of power cable and rotate it leftwards to 15° to pull out.



3. Connect power cable into the power source. Pull out the connect cable: press down the metal latch button of connect cable and pull out the cable simultaneously.



### V-port Battery Power Supply (Optional)

Install the V-port battery onto the controller's battery compartment. Then, power the light on to operate.

**Note:** please use the standard V-port battery with 14.8V standard voltage. Do not supply power with the battery whose voltage is over 16.8V.

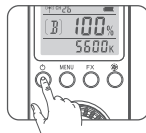
## Operation

### • Power switch:

Short press the power switch, and the LED light will be lighted on. Press the button again to turn off the light.

### • Brightness adjustment:

In the main interface, turn the select dial to adjust brightness from 0% to 100%.



### Bi-color Setting

**Bi-color Mode:** CCT mode is on the main interface.

**CCT Adjustment:** Short press SET button on the main interface, the CCT number will blink, turn the select dial to adjust CCT from 2800K to 6500K, with 100 units change in normal speed and 500 units change in fast speed.

### • Light effects setting:

In normal status, short press the FX button once to enter the setting interface. Then, turn the select dial to choose light effects from OFF and 1 to 11.

Display	FX1	FX2	FX3	FX4	FX5	FX6	FX7	FX8	FX9	FX10	FX11
Flash 1	Flash 1	Flash 2	Flash 3	Storm 1	Storm 2	Storm 3	TV	Broken/Blub	Candle	Fire	Firework

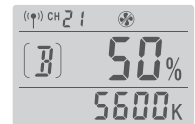
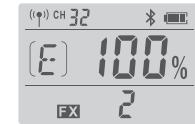
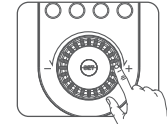
Short press the FX button or SET button to exit from light effects modes and back to the main interface after settings finished.

**Note:** If a light effect is selected from 1 to 11, the FX icon and light effects will be displayed on the main interface and the brightness can be adjusted, while color temperature is not available. If choose OFF, the color temperature will be displayed instead of FX icon.

### • Silent Mode:

In normal status, short press the Fan button to turn it on or off, the fan icon is displayed, the fan is turned off, the LED light will enter silent mode, and the brightness will be adjusted from 0% to 50%.

**Note:** the fan will be turned on by default and there is no icon appeared on the display.



## MENU

### 1. 2.4G Wireless Control

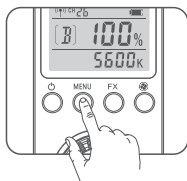
With 2.4G wireless system, S60Bi focusing LED video light has remote grouping and control function. It is recommended to purchase RC-A6 remote control (optional) to achieve wireless control. 16 groups of LED lights can be controlled. 32 channels and 99 IDs are available with strong anti-interference capability.

**Note:**

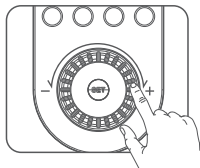
1. Please make LED light's channel, group and ID to the same as remote control's.
2. The wireless signals can only be received in the situation that the LED light is powered on.

**1.1 CH Channel Adjustment/GR Group Adjustment/ID Value Adjustment**

In main interface, short press MENU button once and turn the select dial to select channel, group, ID, bluetooth code display and DMX512 loop.



In CH channel setting interface, short press SET button and the channel icon will blink. Then, turn the select dial to choose channel from 1 to 32. Press the SET button to exit and the icon will stop blinking.



In GR channel setting interface, short press SET button and the group icon will blink. Then, turn the select dial to choose group from A to F and 0 to 9. Press the SET button to exit and the icon will stop blinking.



In ID channel setting interface, short press SET button and the group icon will blink. Then, turn the select dial to choose group from OFF and 1 to 99. Press the SET button to confirm and the icon will stop blinking.



After setting all these parameters, short press SET button to confirm and back to the main interface.

**Note:** the LED light will auto return to the main interface if there's no operation after 10 seconds.

**2. Bluetooth Control**

**2.1 Bluetooth Code Display & RESET Function**

Check Bluetooth code: in main interface, short press MENU button. Then, press the select dial to switch the icons. The Bluetooth code will be displayed after Bluetooth icon appeared.



Bluetooth reset function: in the Bluetooth code interface, long press the SET button for 2 seconds and the Bluetooth icon will blink because of resetting. And the icon will stop blinking after successfully reset. Then, short press the MENU button to return to main interface.

**Note:** The LED light's Bluetooth function should be turned on. The APP can be used directly on the firstly installed device (smartphone or iPad). When change to other mobile device (smartphone or iPad), the light shall be reset before the normal connection of APP.

**2.2 Scan the QR code to download the "Godox Light" smartphone APP (can be used in Android and Apple).**

For more smartphone APP operations, please open the "help" in APP to gain detailed guidance.



**3. DMX Control Mode**

In main interface, short press MENU button once and turn the select dial to switch until the DMX icon is displayed. Short press the SET button and the icon will be blinking. Then, turn the select dial to set the DMX channel from 1 to 512. Adjustment in 10 values quickly or 1 value normally. Then, short press the SET button to confirm and the icon will stop blinking. Short press the MENU button to return to main interface.



## DMX Parameters:

Operation Mode	CCT	FX	Note
Code			
n(Mode)	0-51	52-255	
n+1	DMX*(100/255) Integer 0-100% Brightness	DMX*(100/255) Integer 0-100% Brightness	
n+2	DMX* (Max CCT- Min CCT) /100 /255) Integer	DMX*(total light effects/255)	1. CCT adjustment (for example: Min CCT 2800, Max CCT 6500 DMX=102,102 *( (6500-2800) /100)/255=14(CCT28+14=42+100=42 00) 2. FX Adjustment:totalFX14, DMX=160,FX number=160*14/255=8

## Illuminance Data of S60Bi

Color Temperature	Testing Condition	Illuminance Data	1 m	2 m	3 m
2800K	flood	lux	3010	761	352
		fc	280	70.7	32.7
	spot	lux	22400	5920	2740
		fc	2090	550	254
3200K	flood	lux	3710	950	436
		fc	345	88.2	40.5
	spot	lux	28000	7430	3410
		fc	2600	690	317
4300K	flood	lux	4310	1100	505
		fc	400	102	47
	spot	lux	32700	8690	3970
		fc	3030	807	369
5600K	flood	lux	4340	1110	509
		fc	403	103	47.3
	spot	lux	32900	8770	4000
		fc	3060	815	372
6500K	flood	lux	4290	1100	504
		fc	398	102	46.8
	spot	lux	33200	8690	3960
		fc	3090	808	368

Note: The above tests are all based on the condition of 100% brightness.

## Technical Data

Model	S60Bi	
Power Supply	AC Power Supply	100~240V 50/60Hz 0.9A MAX
	V-port battery	Standard voltage:1.4.8V (optional)
Power	77W(Max)	
Color Temperature	2800-6500K	
CRI	≈96	
TLCI	≈97	
Brightness Range	0~100%	
Channel(CH)	32 (1 to 32)	
Group (GR)	16 (A to F/ 0 to 9)	
Beam Angle	6°-55°	
Working Environment Temperature	-10~40°C	
Control Method	Smartphone APP/2.4G wireless remote control/DMX control/Controller	
2.4G Wireless Transmission Distance(≈)	≈50m	
Bluetooth Control Distance	≈30m	
Dimension (≈)	Light body: 264*107*100mm Controller: 233*112*61mm	
New weight(≈)	Light body: 1.36kg Controller: 1kg	
2.4G Frequency Range	2412MHz~2464.5MHz	
BT Frequency Range	2402.0-2480.0MHz	
Maximum power	6,68dBm	

\* Product design and specifications are subject to change without notice.

## Maintenance

This product, except consumables e.g. battery, power cable and connect cable, is supported with a one-year warranty.

Avoid sudden impacts and the product should be dedusted regularly.

Maintenance of the flash must be performed by our authorized maintenance department which can provide original accessories.

Unauthorized service will void the warranty.

If the product had failures or was wetted, do not use it until it is repaired by professionals.

Changes made to the specifications or designs may not be reflected in this manual.

## FCC compliance statement

This product, except consumables e.g. battery, power cable and connect cable, is supported with a one-year warranty.

Avoid sudden impacts and the product should be dedusted regularly.

Maintenance of the flash must be performed by our authorized maintenance department which can provide original accessories.

Unauthorized service will void the warranty.

If the product had failures or was wetted, do not use it until it is repaired by professionals.

Changes made to the specifications or designs may not be reflected in this manual.

This device complies with Part 15 of the FCC Rules. Operation is subject to the following two conditions: (1) this device may not cause harmful interference, and (2) this device must accept any interference received, including interference that may cause undesired operation.

changes or modifications not expressly approved by the party responsible for compliance could void the user's authority to operate the equipment.

This equipment has been tested and found to comply with the limits for a Class B digital device, pursuant to Part 15 of the FCC Rules. These limits are designed to provide reasonable protection against harmful interference in a residential installation.

This equipment generates, uses and can radiate radio frequency energy and, if not installed and used in accordance with the instructions, may cause harmful interference to radio communications. However, there is no guarantee that interference will not occur in a particular installation.

If this equipment does cause harmful interference to radio or television reception, which can be determined by turning the equipment off and on, the user is encouraged

to try to correct the interference by one or more of the following measures:

-- Reorient or relocate the receiving antenna.

-- Increase the separation between the equipment and receiver.

-- Connect the equipment into an outlet on a circuit different from that to which the receiver is connected.

-- Consult the dealer or an experienced radio/TV technician for help.

RF Exposure Compliance

This equipment complies with FCC radiation exposure limits set forth for an uncontrolled environment. This equipment should be installed and operated with minimum distance 5mm between the radiator and your body. This transmitter must not be co-located or operating in conjunction with any other antenna or transmitter.

Operating frequency:2412.99MHz – 2464.49MHz(2.4G only receive)/2402MHz – 2480MHz(BT)

Maximum EIRP Power: 6.68dB

Declaration of Conformity

GODOX Photo Equipment Co.,Ltd. hereby declares that this equipment are in compliance with the essential requirements and other relevant provisions of Directive 2014/53/EU. In accordance with Article 10(2) and Article 10(10), this product is allowed to be used in all EU member states.For more information of DoC, Please click this web link: [https://www.godox.com/DOC/Godox\\_S60Bi\\_DOC.pdf](https://www.godox.com/DOC/Godox_S60Bi_DOC.pdf)

The device complies with RF specifications when the device used at 0mm from your body.

## 产品保修

尊敬的用户，本保修卡是申请保修服务的重要凭证，请您配合销售商填写并妥善保管，谢谢！

产品信息	型号	产品条码
用户信息	姓名	联系电话
	通信地址	
销售商信息	名称	
	联系电话	
	通信地址	
	销售日期	
备注		

注：此表应由销售商盖章确认。

### 适用产品

本文件适用于相关《产品保修信息》(见后面说明)所列产品，其他非属此范围的产品或部件(如促销品、赠品及其他出厂后附加的部件等)不在此保修承诺内。

### 保修期

产品及部件的相应保修期按相关的《产品保修信息》执行。保修期自产品首次购买日起算，购买日以购买产品时保修卡登记日期为准。

### 如何获得保修服务

您可直接与产品销售商或授权服务机构联系，也可拨打神牛产品售后服务电话，与我们联系，由我们的服务人员为您安排服务。申请保修时，您应提供有效的保修卡作为保修凭证，方可获得保修。如您不能提供有效的保修卡，则在我们确认产品或部件属于保修范围的情况下，也可以为您提供保修，但这不作为我们的义务。

### 不适用保修的情况

如产品存在下列情况，本文件项下的保证和服务将不适用 ①产品或部件超过相应保修期；②错误或不当使用、维护或保管导致的故障或损坏，如：不当搬运；非按产品合理预期用途使用；不当插接外接设备；跌落或外力挤压；接触或暴露于不适当温度、溶剂、酸碱、水浸或潮湿环境；③由非神牛授权机构或人员安装、修理、更改、添加或拆卸造成的故障或损坏；④产品或部件原有识别信息被修改变更或删除；⑤无有效保修卡；⑥使用非合法授权、非标准或非公开发行的软件造成的故障或损坏；⑦因不可抗力或意外事件造成的故障或损坏；⑧其他非因产品本身质量问题导致的故障或损坏。遇上述情况，您应向相关责任方寻求解决，神牛对此不承担任何责任。因非在保修期或保修范围内的部件、附件或软件导致产品不能正常使用的，不是保修范围内的故障。产品使用过程中正常的脱色、磨损和消耗，不是保修范围内的故障。

## 产品保修和服务支持信息

产品的保修期和服务类型按以下《产品保修信息》执行：

产品类别	选件名称	保修期(月)	保修服务类型
部件	电路板	12	客户送修
	电池	3	客户送修
	充电器、电源线，同步线等带电性能的部件。	12	客户送修
其他	如闪光灯管、造型灯泡、外壳、保护罩、锁紧装置、包装等。	无	无保修

神牛产品售后服务电话：0755-29609320-8062

## Warranty

Dear customers, as this warranty card is an important certificate to apply for our maintenance service, please fill in the following form in coordination with the seller and safe-keep it. Thank you!

Product Information	Model	Product Code Number
Customer Information	Name	Contact Number
	Address	
Seller Information	Name	
	Contact Number	
	Address	
	Date of Sale	
Note:		

Note: This form shall be sealed by the seller.

### Applicable Products

The document applies to the products listed on the Product Maintenance Information (see below for further information). Other products or accessories (e.g. promotional items, giveaways and additional accessories attached, etc.) are not included in this warranty scope.

### Warranty Period

The warranty period of products and accessories is implemented according to the relevant Product Maintenance Information. The warranty period is calculated from the day(purchase date) when the product is bought for the first time, And the purchase date is considered as the date registered on the warranty card when buying the product.

### How to Get the Maintenance Service

If maintenance service is needed, you can directly contact the product distributor or authorized service institutions. You can also contact the Godox after-sale service call and we will offer you service. When applying for maintenance service, you should provide valid warranty card. If you cannot provide valid warranty card, we may offer you maintenance service once confirmed that the product or accessory is involved in the maintenance scope, but that shall not be considered as our obligation.

### Inapplicable Cases

The guarantee and service offered by this document are not applicable in the following cases: ①. The product or accessory has expired its warranty period; ②. Breakage or damage caused by inappropriate usage, maintenance or preservation, such as improper packing, improper usage, improper plugging in/out external equipment, falling off or squeezing by external force, contacting or exposing to the improper temperature, solvent, acid, base, flooding and damp environments, etc; ③. Breakage or damage caused by non-authorized institution or staff in the process of installation, maintenance, alternation, addition and detachment; ④. The original identifying information of product or accessory is modified, alternated, or removed; ⑤. No valid warranty card; ⑥. Breakage or damage caused by using illegally authorized, nonstandard or non-public released software; ⑦. Breakage or damage caused by force majeure or accident; ⑧. Breakage or damage that could not be attributed to the product itself. Once met these situations above, you should seek solutions from the related responsible parties and Godox assumes no responsibility. The damage caused by parts, accessories and software that beyond the warranty period or scope is not included in our maintenance scope. The normal discoloration, abrasion and consumption are not the breakage within the maintenance scope.