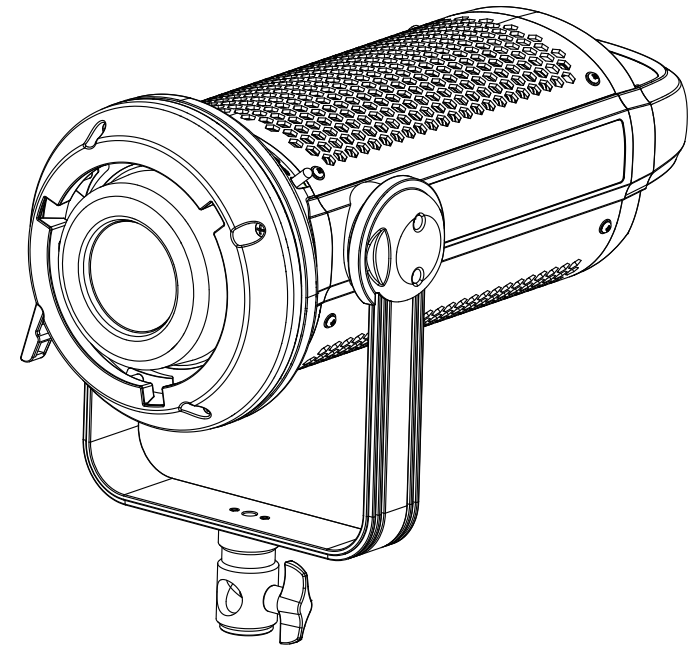


## ● Warning and Notes

1. Best Suited for Working indoors, Please store in dry airy place.
2. Please DO NOT expose to humid or wet conditions
3. Please do not use when the over- rated voltage.
4. The Housing can get a little hot whilst in operation
5. Please ensure light is properly protected during transportation, as it may cause damage to the light.
6. Please DO NOT look directly into the light whilst it is on.
7. Please do not place lights in near flammable or volatile substances such as alcohol, gasoline or other solvents.
8. Please use the soft, dry cloth to clean lights. You can wash with a cloth with some neutral detergent to remove dirt that is difficult to remove, and then dry with a soft dry cloth.
9. Keep the lights out of reach of children
10. Please do not use if over-current.
11. Do not disassemble, or touch any of the internal parts, as it can result in injury. In the event of malfunction, the product should be repaired only by a qualified technician.
12. Please switch off power while the lights are not in use.
13. Please take note of these precautions to prevent injury.

# LEDS500D MKII PRO

## User Guide



## ● Product Information

PIXAPRO LED S series of studio lights, with unique split control system, provides the photographers and videographers with the best lighting solutions. It is light is perfectly suited for photography and videography of portrait, product in studio.

PIXAPRO LED S studio light series is durable and compact with aluminium alloy frame design. It is light weight and fashionable. The unique style, split type, make it easy operation. It is designed with the advanced strong anti-interference MPU for internal circuit, which makes more concise and consistent control. Also it has set overheat protection, high power cooling fan and wide voltage, With built in 2.4GHz wireless receiving, it also can be used with wireless remote control.

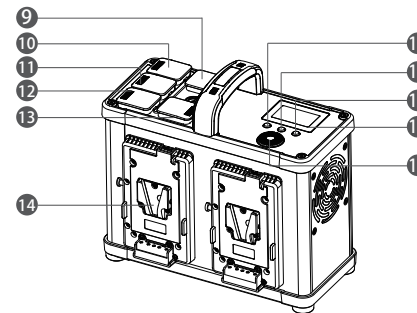
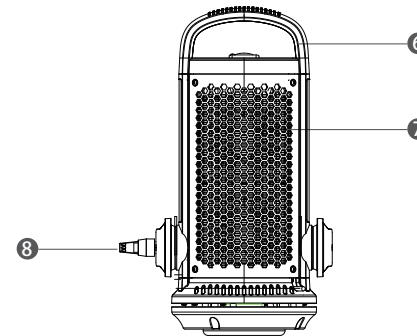
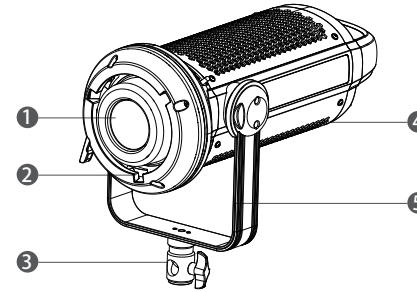
## ● Mode Parameter List

Model	Pixapro S500D MKII Pro
Output Power	500W
Color rendering index	≥95
Luminous Flux	4,5000 lm
LED Type	COB LED Chip
Color Temperature	5600K ± 200K
Light Source	High-Power LED Module
Power Range	10%-100%
Remote Control	(99 Channels 2.4GHz wireless remote control)
Remote Control Range	≥50M
Lithium Battery Type	4x V-Lock Batteries (Battery output power of single battery ≥180 Watts)
DMX512 Control	YES (RJ45 interface)
power input	AC100-240V 50/60Hz   DC36V

### ★ Overheat Protection:

A thermally triggered overheat protection system will automatically shutdown the fixture if internal temperature exceeds 90°C. A warning of 15 'click' sounds proceeds the shutdown. Normal operation resumes after it has cooled down.

## ● Parts



- 1 COB LED
  - 2 Bowens Modifier Mount
  - 3 Angle Adjustment Knob
  - 4 Power Port
  - 5 Yoke
  - 6 Handle
  - 7 Silent fan  
The fan will be on all the time as the light is on.
  - 8 Angle adjustment Handle
  - 9 DMX Port
  - 10 Connection Line Port
  - 11 DC Power Port
  - 12 AC Power Port
  - 13 Power switch  
I : AC II : DC
  - 14 V-Lock Battery Plates
  - 15 Channel Button
  - 16 DMX Button
  - 17 Fun Button – 5 modes switch  
F1- Paparazzi F2- Firework F3- Warning  
F4 – Thunder F5 – TV  
Press the FUN button to enter into F1-F5 special effect modes.  
Switch sequentially from F1 to F5 by pressing the button. use  
Control dial to control power from 10% to 100%.
  - 18 LED display
  - 19 Control Dial
- Press the dimmer then, the wheel heel to change the special effect from weak to strong (1 – 10 ).