

Notes

1. Please do not look directly into the light bulb when the LED lights is turned on.
2. Keep this unit away from water and any flammable gases or liquids.
3. Use only the recommended voltage.
4. While unused, please disconnect battery and power supply.

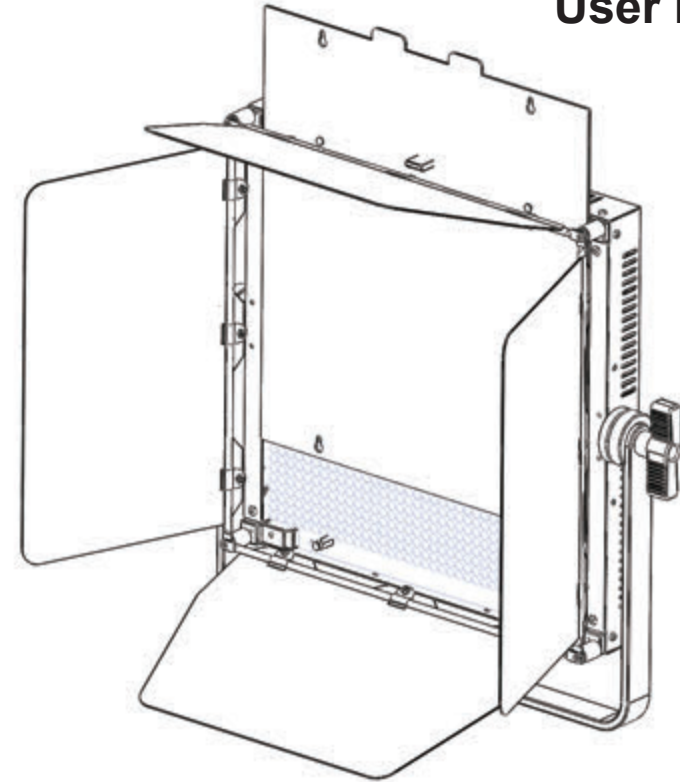
Warning

1. Do not attempt to disassemble or repair the equipment doing so will void the warranty, and manufacturer will not be responsible for any damage.
2. Handle the unit with care.
3. Clean the unit with a soft dry cloth.
4. Keep this unit away from children.
5. Use only parts provided by the manufacturer.
6. Make sure everything is secure before proceeding.
7. Make sure the item is intact and that there are no missing parts.
8. Do not exceed the maximum load capacity.

PIXAPRO[®]

VNIX1500 LED LIGHT PANEL

User Mannal



Safety tips

To prevent damage to your LED light or injury to yourself or to others. Read the following safety precaution in their entirety before using this equipment. Keep these safety instructions where all those who use the product will read them.

Introduction

Thank you for choosing the VNIX1500 LED panel from Pixapro. It features 1520 premium LED bulbs on the light panel are the ones with the output of 90W (single color) or 45W (bi-color). The LED bulbs emit little heat and further more the outstanding design of panel prevents the unit from being hurt by overheat with the feature of fast heat- dissipation, which effectively extends the lifespan of the light panel.

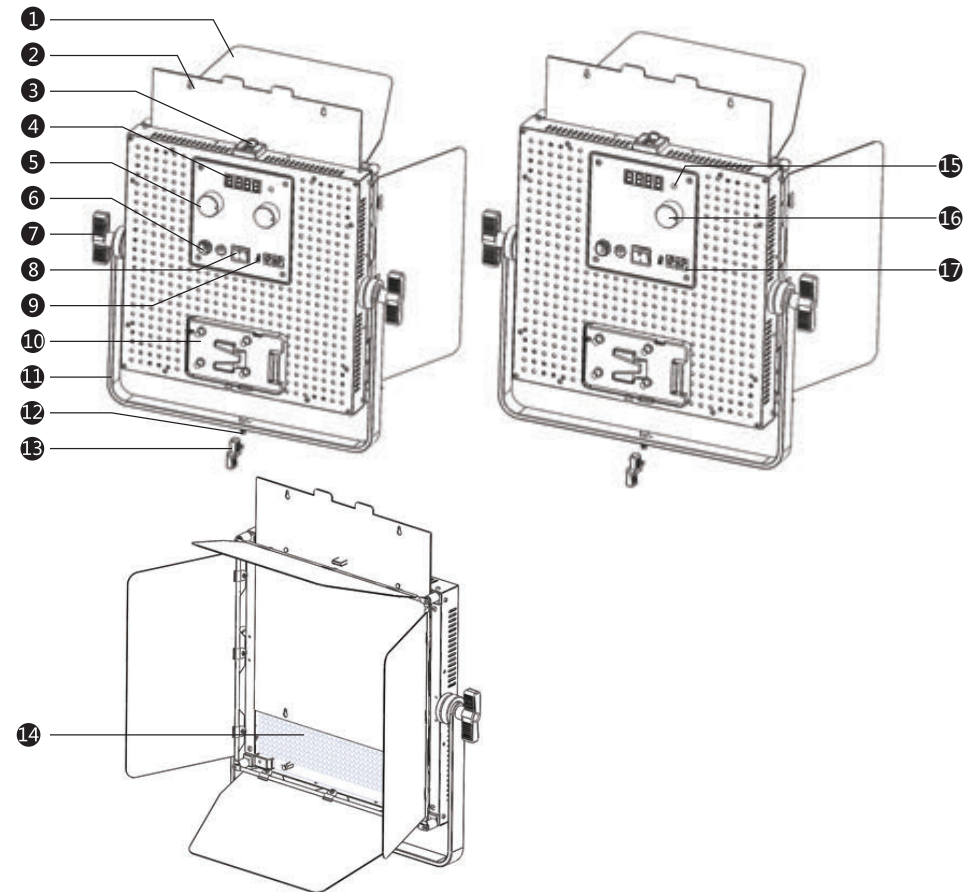
The dimmer knob on the light panel will allow to control the brightness 10%-100%. The bi-color panel will also allow to control the color temperature (if you choose the type). This unit also features LED display, outdoor use with batteries mounted and 2.4G remote control.

Tecahnical data

Mode	VNIX1500S	VNIX1500B
Output power	90W	90W
Luminous flux	10800LM	10800LM
LED quantity	1520	1520
Color temperature	5600K/3200K	3200-5600K
Illumination angle	45° super bright φ5 LED	
CRI	≥95%	
Brightness adjusting range	10%~100%	
Working life	50000h	
Remote	99 channels 2.4G	
Remote distance	>50M	
DMX512	YES (RJ45)	
Battlery type	sony BP lithinm battery	
DC input	DC13-19V	
Adapter	DC19V 4.7A GX16-2 plug	DC15V 4A GX16-2 plug
Dimension(L/W/H mm)	330mm*330mm*48.5mm	

Parts diagram

- 1.Barn door
- 2.Filter
- 3.Filter lock catch
- 4.LED display



- 5.Color temperature adjuster
- 6.Two-pin connection
- 7.Locking Nut
- 8.Power
- 9.DMX switch
- 10.External sony V-mount battery plate
- 11.U shape supporter
- 12.Light stand adapter
- 13.Locking knob
- 14.LED Lamp bead
- 15.Antenna
- 16.Dimmer Dial
- 17.DMX