

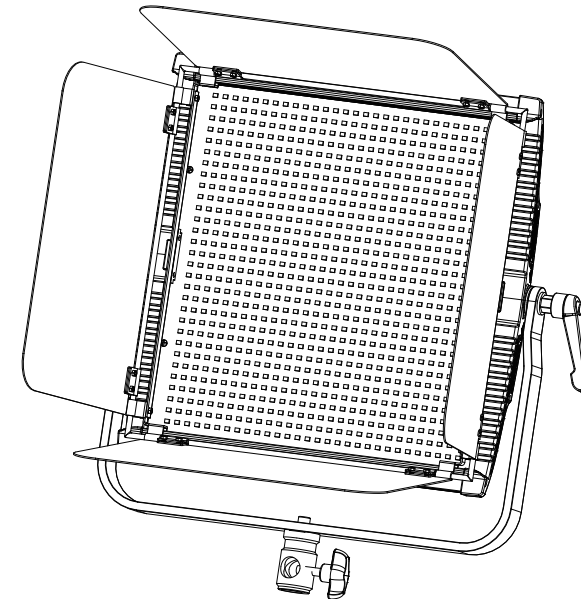
● Warning and Notes

1. The LECO1000B II is best used in a dry and well-ventilated environment.
2. Please DO NOT expose to rain or moisture, to avoid short-circuit.
3. Please DO NOT use with power-adapters not designed specifically with the LECO1000B II.
4. It's normal the LECO1000B II to get a little warm whilst in operation.
5. Please avoid any sudden shocks during transportation and/or installation, as impact damage may cause deformation and damage to the light.
6. Please DO NOT look directly into the light whilst light is on.
7. Please DO NOT place the light near flammable substances, such as alcohol or gasoline or other volatile solvents.
8. Please use the soft dry cloth to clean the light. You can wipe with a cloth with some neutral detergent to remove difficult to remove stains, and then dry with a soft cloth.
9. Keep the light out of reach from children.
10. DO NOT attempt to repair light. If your LECO1000B II develops a fault, as doing so will VOID your warranty. Please contact us at customerservice@essentialphoto.co.uk.
11. DO NOT dismantle the head unit unless work is carried out by a qualified technician. Dismantling your LECO1000B II will VOID your warranty.
12. ENSURE the device is properly disconnected the power supply when the light is not in use, before mounting or during maintenance

PiXAPRO®

LECO1000BII

Series LED User Guide



● Product Information

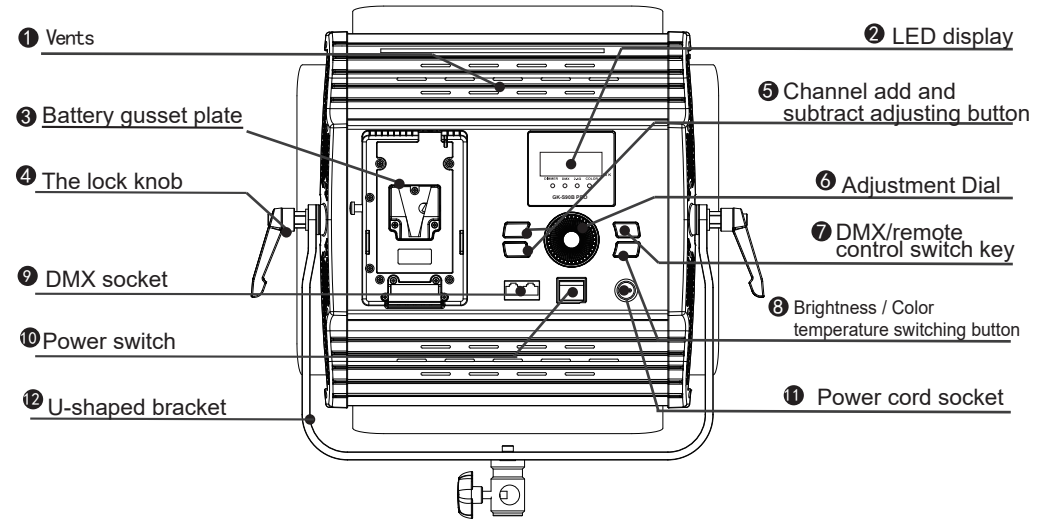
Thank you for purchasing LECO1000B II. This 100W LED panel features 900 premium LED chips. The LED chips emit very little heat and the outstanding design prevents the unit from being hurt by overheat with the feature of fast heat - dissipation, which will effectively extends the lifespan of the light panel.

This LECO1000B II's outer-casing is made from high-quality aviation-grade aluminum which makes the LECO1000B II a light-weight yet durable LED panel. The brightness can be adjusted between (10% ~ 100%) and includes an option for you to adjust the colour-temperature between 3200K (Tungsten Balanced) and 5600K (Daylight Balanced). In addition to this, the unit features a 2.4GHz wireless remote control dimmer, that enables you to adjust the brightness and the colour-temperature remotely to achieve your desired look.

● Specifications

Model	LECO 1000B II
Output Power	100W
Luminous Flux	9000 LM
LED Quantity	900 PCS
Colour Temperature	3200-5600K Continuous adjustment
Light Source	0.2W SMD LED
Color rendering index	≥95
Dimmer	10%-100%
Remote Control	99 channels 2.4G wireless remote control
Remote control distance	>50M
DMX512 dimmer	YES (RJ45 interface)
Lithium Battery Type	SONY BP V type series of lithium battery
DC power input	DC13-19V
Adapter	DC19V 4.7A GX16-2(plug)
size(Do not contain light barrier)	300*300*46mm

● Overview



① Vents

② LED display

③ Battery gusset plate

④ The lock knob

⑤ Channel add and subtract adjusting button

In different modes, the can be adjusted (increase or decrease). Both DMX, and wireless remote control are numerical.

⑥ Adjustment Dial

In different modes, the can adjust the brightness (increase or decrease) Both percentage and colour temperature are numerical.

⑦ DMX/remote control switch key

Press "DMX / 2.4 G", when the "DMX" corresponding Indicator light, At this time only use DMX controller to control.

Press "DMX / 2.4 G", when the "2.4G" corresponding Indicator light bright, At this time use 2.4 G remote control or manual control control panel.

⑧ Brightness / Color temperature switching button

Press "DIMMER/COLOUR", when the "DIMMER" corresponding Indicator light bright, Available adjust knob to change the brightness.

Press "DIMMER/COLOUR", when the "COLOUR" corresponding Indicator light bright, Available adjust knob to change the Color temperature.

⑨ DMX socket

After RJ45 interface connection, can support the DMX512 protocol control computer control.

⑩ Power switch

Press "I" for the direction of the battery power , according to the "O" direction to shut down, according to Press "II" adapter power.

⑪ Power cord socket

⑫ U-shaped bracket