

● Warning and Notes

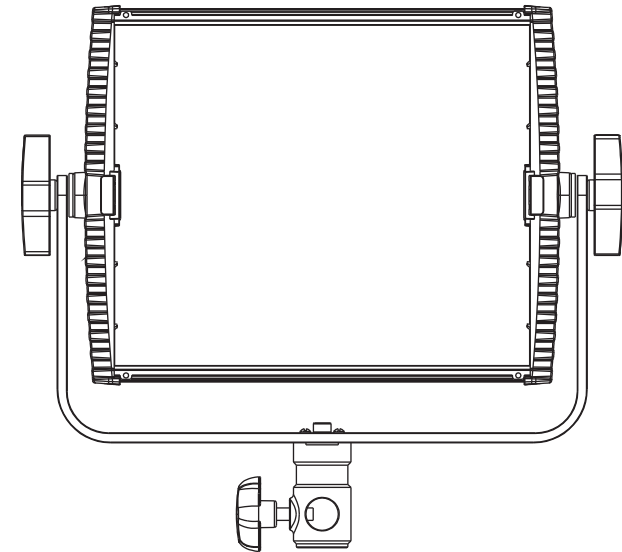
- 1.The environment should be kept dry and ventilated when using the light.
- 2.Please do not let the device be exposed to rain or moisture, to avoid circuit problem.
- 3.Please do not use the light with over- rated voltage.
- 4.It's normal the fixture will be a little hot when working.
- 5.During transportation and installation process, please do not hit against other items, or else it may cause deformation to the lamp shade and damage to the light.
- 6.Please do not directly look at the light bulb with naked eyes when the light is on.
- 7.Please do not place the light near by such as alcohol or gasoline and other flammable or volatile solvents.
- 8.Please use the soft dry cloth to clean the light. You can wash with a cloth with some neutral detergent to remove the dirt that is difficult to remove, and then dry with a soft cloth.
9. Keep the light out of reach from children.
- 10.Do not disassemble equipment. Touch the product's internal part could result in injury. In the event of malfunction, the product should be repaired only by a qualified technician.
11. Please cut off power when the light isn't used for long time.
12. Please note the precautions, or could result in injury.

PiXAPRO

Unit 5 Sterling Park
Pedmore Road
Brierley Hill
United Kingdom
DY5 1TB

Note:The technical data are subject to change without notice.

LECO500 II RGB Instruction Manual



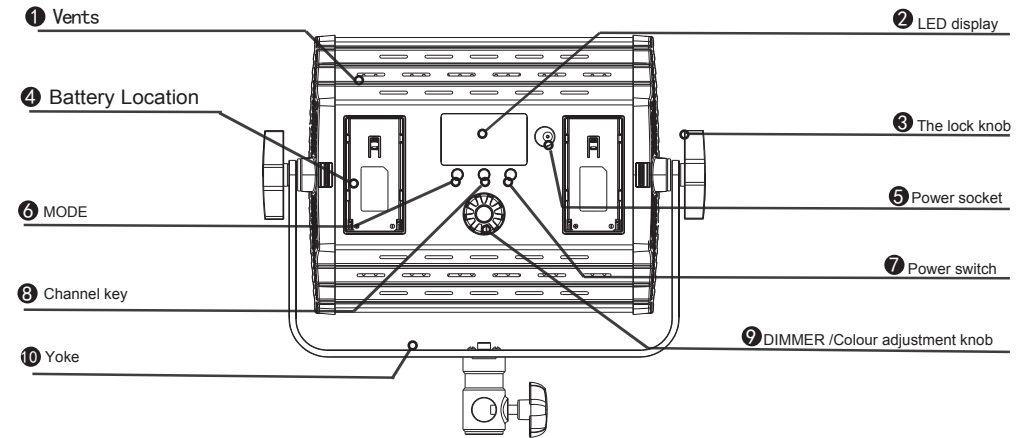
● Product Information

The aluminium alloy framed light panel LECO500 II RGB from Pixapro features variable Colour temperature from 3200 to 5600K with a high CRI/TLCI rating of 95/95 indicating impressive accuracy in Colour rendering. The light intensity is variable from 10 to 100%. Additionally, the light's RGB mode features 360 selectable colours. You can make these adjustments locally on the fixture or remotely. Modifications appear on the fixture's LCD screen. The RGB light panel has a wide 140-degree beam spread that can be modified by the included 4-way barndoors, by simply swinging one or more leaves into the path of the light. Thanks to the excellent heating system, the light runs perfectly quiet in the sound sensitive environment. This fixture can be powered by AC main or Sony type L series batteries (NP-F).

● Specifications

Model	LECO500 II RGB
Output Power	36W
Luminous Flux	3600LM
LED Quantity	White LED 180PCS/RGB LED 81 PCS
Colour Temperature	3200-5600Continuous adjustment
Colour Change	0-360°
Light Source	0.5W SMD LED/1.5W RGB LED bulbs
Colour rendering index	≥95
Dimmer	10%-100%
Remote Control	99 channels 2.4G wireless remote control
Remote control distance	>50M
Lithium Battery Type	NP-F750/NP-F960*2
DC power input	DC13-19V
Adapter	DC15V 2.4A
Excluding u-shaped bar	242*191*42mm

● Overview



- 1 Vents
- 2 LED display
- 3 The lock knob
- 4 Battery Location
- 5 Power socket
- 6 MODE
Press MODE to switch between Bi Colour and RGB status.
- 7 Power switch
Press and hold POWER for 1 second to switch on / off the light.
When the batteries are fitted, shortly press POWER to check the remaining level.
- 8 CHANNEL key is to select the same channel as the one on remote controller, press CHANNEL key to confirm the pairing.
- 9 DIMMER /Colour adjustment knob
The brightness intensity, Colour temperature or RGB Colours can be adjustable numerically when pressing the Mode key and DIMMER/ Colour knob to switch to its correspondent status..
After switching to the mode of Bi-Colour by pressing MODE key
Press the knob DIMMER/Colour when the DIMMER indication is on, just wheel the knob to increase or decrease the light intensity.
Press the knob DIMMER/Colour when the Colour indication is on, just wheel the knob to adjust the Colour temperature from 3200 – 5600K (only 2 digits from 32 to 56 are shown)
After switching to the mode of RGB by pressing MODE key
Press the knob DIMMER/Colour when the DIMMER indicates on, wheel the knob to increase or decrease the light intensity.
Press the knob DIMMER/Colour when the Colour indicates on, wheel the knob from 0-360 to adjust the RGB colours.
- 10 Yoke