

● Packing Accessories

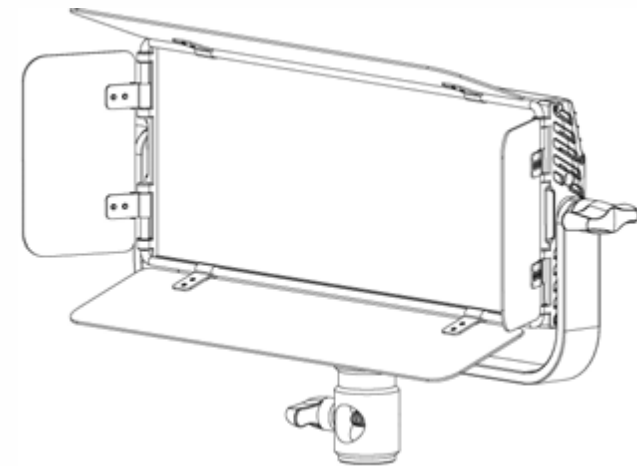
- 01.hot shoe X1
- 02.manual X1
- 03. Handle X1
- 04. Adapter X1

● Warning And Notes

- 1.The environment should be kept dry and ventilated when using the light.
- 2.Please do not let the device be exposed to rain or moisture, to avoid circuit problem.
- 3.Please do not use the light with over- rated voltage.
- 4.It's normal the fixture will be a little hot when working.
- 5.During transportation and installation process, please do not hit against other items, or else it may cause deformation to the lamp shade and damage to the light.
- 6.Please do not directly look at the light bulb with naked eyes when the light is on.
- 7.Please do not place the light near by such as alcohol or gasoline and other flammable or volatile solvents.
- 8.Please use the soft dry cloth to clean the light. You can wash with a cloth with some neutral detergent to remove the dirt that is difficult to remove, and then dry with a soft cloth.
9. Keep the light out of reach from children.
- 10.Do not disassemble equipment. Touch the product's internal part could result in injury. In the event of malfunction, the product should be repaired only by a qualified technician.
11. Please cut off power when the light isn't used for long time.
12. Please note the precautions, or could result in injury.
13. Orange color Slice Used for for color temperature 5600K Conversion 3200K, but will reduce thecolor temperature and exponential.

PIXAPRO[®]

LED User Guide



LECO300

● Product Information

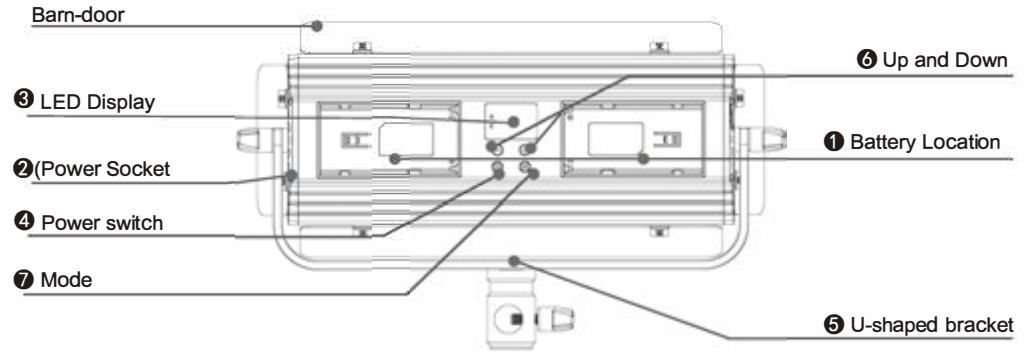
The LECO300 On-Camera Bi Color LED Video Light provides optimal brightness, performance, and color-changing capability in a lightweight, durable frame. Fitted with 30W high-quality LED bead, the LECO300 provides high brightness and sharp clarity of pictures. Taking advantage of excellent ventilation system, this light fixture gives off little to no heat.

The LED camera light LECO300 can be implemented as a primary or supplementary light for many lighting configurations. Powered by 1 pcs of 7.4V lithium battery or external DC power supply, this fixture is the ultimate on the go indoor and outdoor photo and video light. The LECO300 also includes a shoemount for installation on most DV and DSLR cameras. Elegant design with alum alloy housing, pocket size, the ultra thin LED camera light is the best companion for photographers.

● Model Parameter List

| | |
|--------------------------------|--|
| Model | LECO300 |
| Output Power | 30W |
| Luminous Flux | 3000LM |
| Color Temperature | 3200K-5600K |
| Dimmer | 10%-100% |
| Light Source | (Using high brightness high power SMD LED) |
| Life Time | 50000h |
| Remote Control | 99 channels 2.4G wireless remote control |
| Remote control distance | >30M |
| Lithium Battery Type | NP-F550、NP-F750、NP-F960 |
| DC power input | DC13-17V |
| Color Reading Index | 90+ |
| Size (Excluding u-shaped bar) | 250*95*22mm |

● Overview



❶ Battery Location

❷ Power Socket: External DC 13-17V power input

❸ LED Display

When the indicator is blue. The LED display shows the brightness of the light ranging from 10 (10%) to 99 (99%), When the indicator is orange, the LED display shows the color temperature of the light ranging from 32(3200K) to 56(5600k).

When there is no indicator, digital tube display the current 2.4 G remote control channel 01-99.

❹ Power switch: long press 1 second to power ON/OFF; Short press showing the battery remaining capacity.

❺ U-shaped bracket

❻ Up and Down

In different mode, can be adjusted (increase or decrease) percentage of brightness, color temperature, and wireless remote control values.

❼ Mode

Brightness control: press the M button, the blue indicator is on, and press ⊕ or ⊖ button to adjust the brightness from 10% to 99%;

Color temperature control: press the M button, the orange indicator is on, and press ⊕ or ⊖ button to adjust the color temperature from 3200K to 5600K.

2.4G Remote Channel Select Mode: Boot mode, long press M 1 seconds, when the indicator light blue and orange lights out, press ⊕ or ⊖ adjustable Remote control channel 1 ~ 99; Short press the M key to confirm return.