

RICO120LED Soft Ring Light Manual

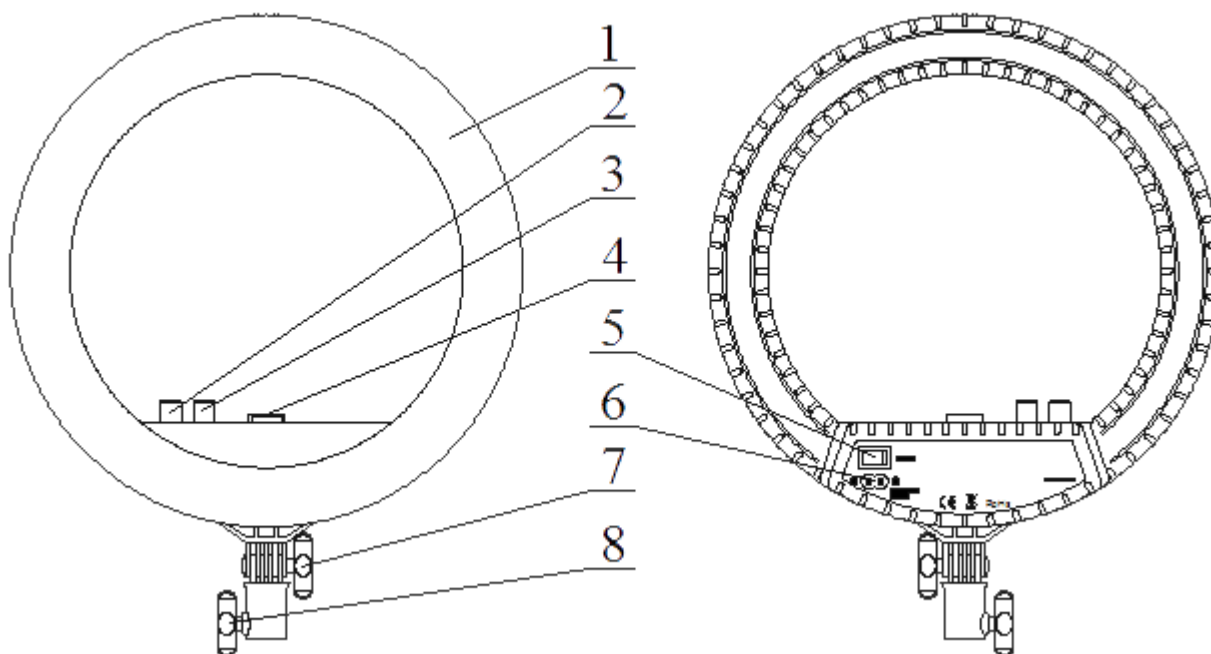
Thank you for choosing our photographic LED soft ring light.

RICO120 LED soft ring light is an AC powered constant light source. It runs cool for using close to subjects, providing a soft directional light. The surrounding style of the light makes it great for unique lighting effects, widely used in portrait, still life photography and video shooting, web broadcasts, make up, and its signature catch lights. The light is color correct for perfect skin tones. It is the best choice for specialty lighting.

I . Attention

1. Always keep this product dry. Do not use in rain or in damp conditions.
2. This product contains high-voltage electronic parts. Touching the high-voltage circuit inside it may result in electric shock. Do not disassemble. Should repairs become necessary, this product must be sent to an authorized maintenance center.
3. Stop using this product if it breaks open due to internal shifting, falling or strong impact. STRONG electric shock may occur if you touch the components inside it. You might DIE. Don't risk it. Reincarnation is not covered by the warranty.
4. Do not leave or store the unit if the ambient temperature reads over 50°C (e.g. in automobile in the sun). Otherwise the electronic parts may be damaged.
5. Do not insert metal parts into any lighting equipment.
6. Do not touch the electrical contacts with any conductive materials.
7. In case of abnormal function, sparks, excessive heat, flammers or smoke, immediately switch the power off and disconnect the power if safely possible. Then have it checked out by an authorized technician.

II . Structure



1	LED surface	2	Power dimmer knob
3	Color temperature knob	4	Hot shoe groove
5	Power switch	6	Power socket
7	Angle adjustment knob	8	Stand mount screw

III. Method of application

1. Mount on a light stand

Tighten the angle adjustment knob (7) so the light is not shifting on the stand mount. Loosen the stand mount screw (8) and slide the stand mount onto your light stand. Position the light at your desired angle and tighten the angle adjustment knob.

2. Turn on the light

Insert power cable to power socket (6), the light lights up when turn on the power switch (5). Rotate power dimmer knob (2) to adjust light output.

3. Adjust color temperature

Rotate color temperature knob (3) to stepless adjust color temperature from 3200K-5600K.

4. Mount ball head (optional accessory)

Loosen the locking nut at the base of the ball head. Slide the ball head hot shoe into the center hot shoe groove (4) on the ring light housing. Rotate clockwise to tighten. It may be necessary to pull up on the ball head and rotate clockwise when tightening.

5. Mount on camera

Align the 1/4" studs on the ball head match the tripod mount of your camera. Rotate your camera clockwise onto the stud until secure. Tighten the locking knob of ball head until secure.

6. Mount on mirror (optional accessory)

Loosen the locking nut at the base of the mirror. Slide the mirror hot shoe into the center hot shoe groove (4) on the ring light housing. Rotate clockwise to tighten.

7. Mount smart phone clamp (optional accessory)

- a. Mount the smart phone clamp on the ball head. Rotate the smart phone clamp clockwise until secure.
- b. Tensile the carrying on smart phone clamp, put the smart phone into the mat, loosen the carrying can be fixed phones.

IV. Specifications

Item No	RICO 120
LED chips	240 pc
Power Supply	100-240V, 50/60Hz
Output	28W
Dimmer	0%-100%
Color Temperature	3200K-5600 K
CRI	Ra>90
Size	Outer 34.5cm Inner 26.5cm
Weight	0.8kg