


## Handling Precautions

1. Be sure to look over the guide and familiarise yourself with its features before use.
2. This Ring light must only be used with rated voltage and frequency.
3. Avoid unplugging the power by pulling the power cord and do not touch the power cord with wet hands.
4. Never attempt to insert any metal objects into the cooling slits of the light.
5. Avoid moving the light by pulling the power cable.
6. Do not use or stop using this product if the unit is damaged, especially power cord and the outer casing.
7. Do NOT expose to moisture.
8. For Indoor use only.
9. Please use the AC Adapter supplied with this light.
10. Repairs to be carried out by qualified technicians only.

## Technical Specifications

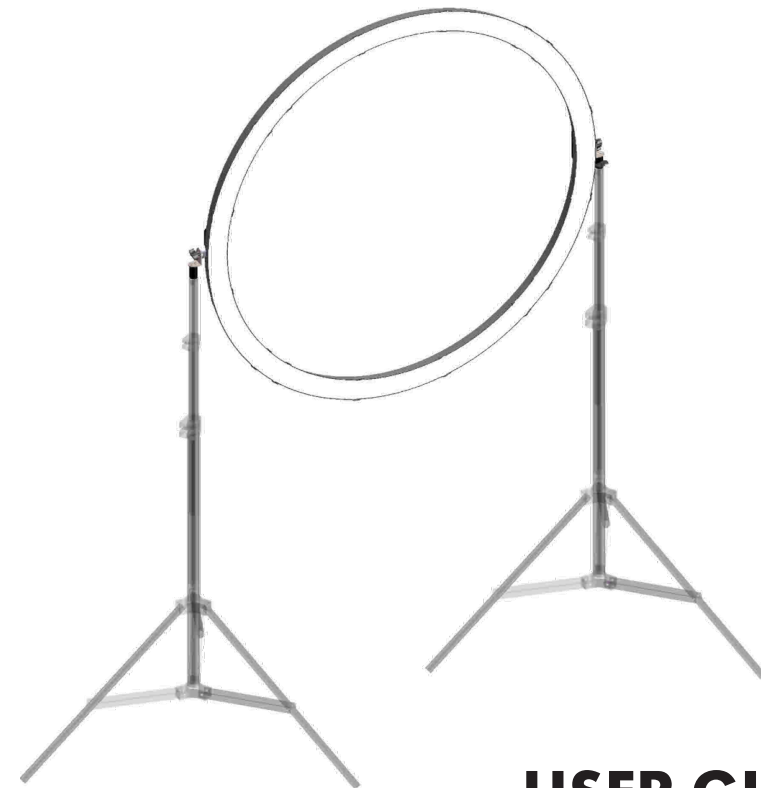
Max Power	120W
Luminous Flux	>12000LM
Average Lifespan	>50,000 hours
Colour Temperature	3000K-5500K (Adjustable)
CRI	>95
Beam Angle	>120°
Power Range	1% - 100% Brightness (Dimmable)
DMX512	Yes
Input Voltage	DC 14-24V
Input Power	>150W
Material	ABS Aluminum
Diameter	Ø120cm
Weight	6.2kg
Optional Accessory	DMX Remote Controller

**CE** This device meets all of the relevant European Safety requirements

 This product should not be treated as household waste. This product is made of recyclable materials and should be disposed of in accordance to your local and state regulations.

PIXAPRO®

# RICO 1200B



## USER GUIDE

Unit 5 Sterling Park, Pedmore Road, Brierley Hill,  
West Midlands DY5 1TB  
Tel: +44 (0)121 552 3113  
Email: [info@essentialphoto.co.uk](mailto:info@essentialphoto.co.uk)

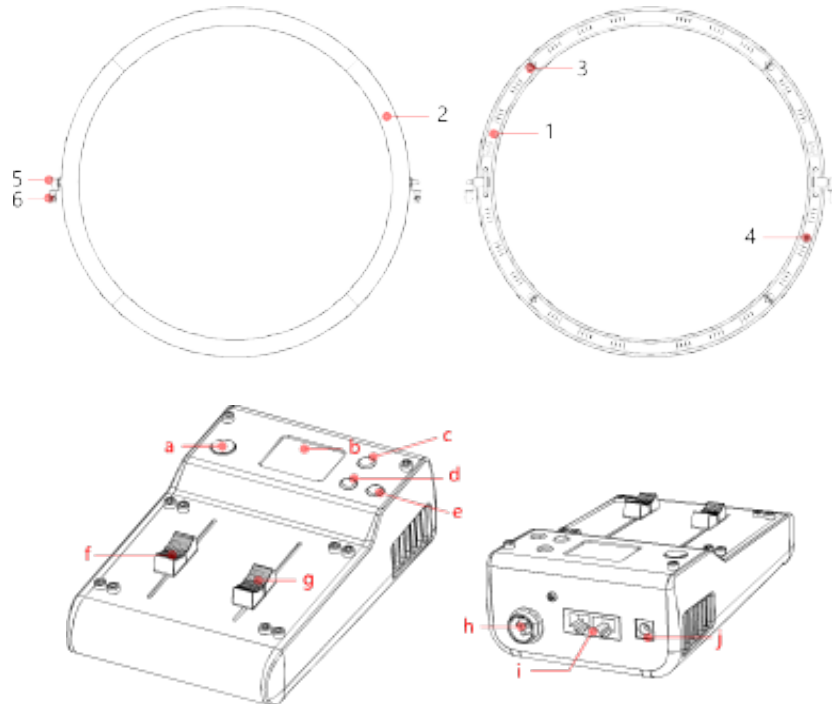
## Introduction

Thank you for purchasing the RICO 1200 Large LED Ring Light. This manual gives you easy-to-follow instructions for installing and using this incredible light source. For best results, please read this manual and keep it handy for future reference.

## Box Content.

Item	Quantity
RICO1200B LED Ring Light	1
AC-DC adapter (20V 7.5A)	1
Power Cable	1
Carry Case	1
User Guide	1

## Diagram



## Parts

1. Ringlight body (4 sections)
2. Diffuser (4 sections)
3. Fixing screw (4x M4)
4. Mains plug for output power cable
5. Fixing screw (2x)
6. Light stand support (2x)
- a. Button 1 (Power ON/OFF | Functions)
- b. LCD Display
- c. Button 2
- d. Button 3
- e. Button 4
- f. Slider for Colour Temperature
- g. Slidder for Brightness
- h. Mains plug for output power cable
- i. DMX Socket
- j. Socket for DC Input

## Functions

1. Connect 4 pieces light segments (1) to form a ring shape and fix with 4x M4 screws (3).
2. Connect the stand supports (6) with two light stands. Tighten the screw (5) to fix the ring light to required angle.
3. Connect the control console to the ring light, using the Power cable included. Connect the light body to the control console via (4) and (h).
4. Insert the plug for the DC input (j) to the DC output cable of AC-DC adapter to successfully connect the AC power source.
5. To turn the light on, press button (a). Press and hold button (a) to turn the light off. (When DMX signal connected with the console, you can turn off the light via DMX CONSOLE.) Please unplug the RICO 1200 when not in use for extended periods of time.
6. The light will be set to "LOCAL" mode, when disconnected from the DMX console. The LCD (b) will display "LOCAL"; When the DMX console is connected, the LCD (b) will display "DMX". Whilst in this more, you are unable to control the RICO 1200 from the light itself. Please refer to the diagram to find out how to connect the DMX console.
7. When the console is in "Local" mode, you can adjust the colour temperature via the slider (f) and adjust the brightness via the slider (g).
8. To enter the functions menu, press button (e). This enables you to set the DMX address of console, and set the brightness of LCD. You can adjust the digit after setting via buttons (c) and (d). Press button (a) to go back to the main page of the function settings.

