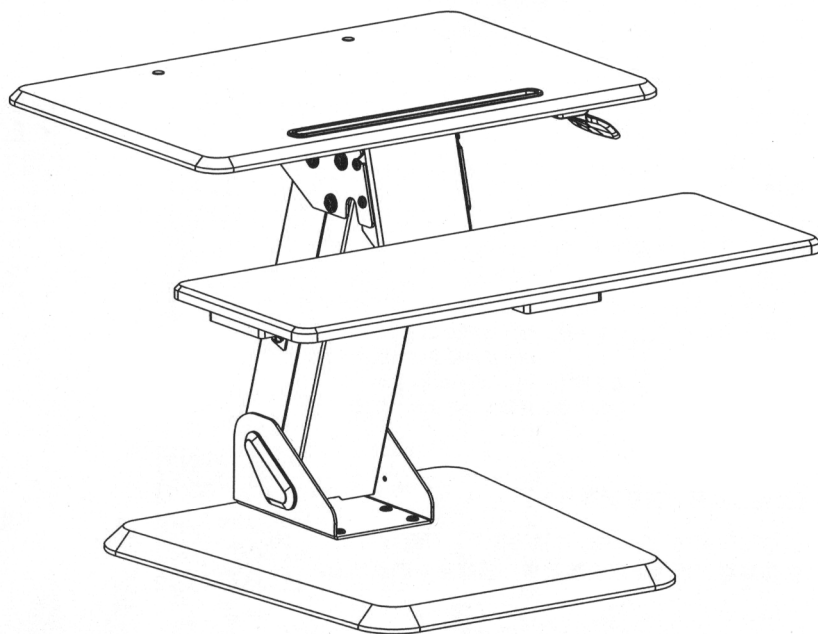


PiXAPRO®

# TESSA-ELITE

Workstation



INSTRUCTION MANUAL

**Black**  
WC-005001-BB

**White**  
WC-005001-WW

Max. Load Capacity  
**<15kg**

Max. Keyboard Shelf Capacity  
**<2kg**

## Thank you for purchasing the TESSA-Elite Workstation

As many photographers or any office-based jobs may have experienced long hours of sitting down for data collection, reading analysis reports, photo editing and retouching etc. It very often results in back, neck or shoulder pain. PIXAPRO TESSA-Elite Height Tabletop work station allows you to raise and lower your work surface throughout the day, enabling you to sit or stand whilst working. The large work surface provides room for dual monitors and the lower surface holds your keyboard and mouse. The entire desk (upper and lower surface) easily adjusts.

**Smooth lift operation:** This allows you quickly and easily adjust the height up or down via medical graded air springs. You can adjust the height between 19cm and 50.5cm, which is about 20% of the table height. This allows you to use your equipment or gadget while sitting or standing.

**Durable work surface:** The Contoured top with round edging to prevent chipping, ensures long-lasting use with Commercial grade quality.

**Device storage slot-** It also has an open slot that holds tablets and phones even when they are charging

**Compact size:** This PIXAPRO TESSA-Elite Height Tabletop work station offers a spacious upper platform (60cm x 40cm) which sufficient for surface provides room for dual monitors and the lower surface holds your keyboard and mouse (25.5cm x 69cm). The entire desk (upper and lower surface) are easily adjustable. A slide-out keyboard tray keeps your appliances neat and tidy, while also freeing up space. There is a Wrist-Rest for a Keyboard, built on to the lower platform, further reducing any possible muscle strain

**Edgy and sleek design:** Featuring a hard-wearing smooth finished top and aluminium base, this sleek and edgy Flexi Height Work Station will perfectly blend in any contemporary office or home.

**Strong and sturdy frame system:** It is made of powder-coated aluminium and steel. This gives maximum load as 60kg. The weight load can be adjusted at the back of workstation by Allen key.

**Portable:** It can easily collapse for transportable or to put away for storage

**Multipurpose:** It can be used on any existing workstation or desk to promote better alignment, posture, and ergonomics or to use it to shoot tethered in the studio.

This ergonomic design reduces the possibility of muscle strain and provides a comfortable solution to the aches and pains induced by long periods of desk-based work. Crafted from laminate for enhanced strength and durability, this is the ideal addition to any cutting-edge workspace or home office.

**PIXAPRO®**

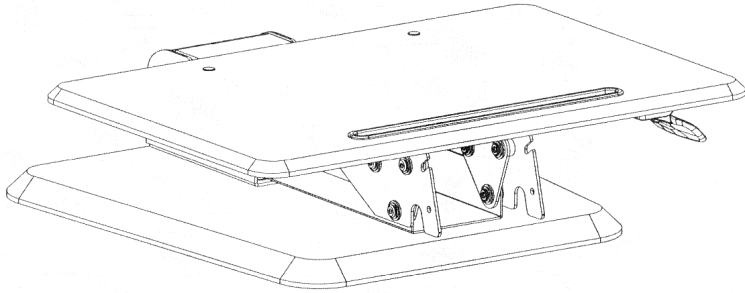
Unit 5 Sterling Park  
Pedmore Road  
Brierley Hill  
DY5 1TB

Tel: +44(0)121 552 3113  
Email: [info@essentialphoto.co.uk](mailto:info@essentialphoto.co.uk)  
Web: [www.essentialphoto.co.uk](http://www.essentialphoto.co.uk)

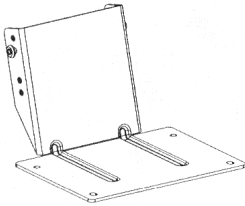


# Assembly Instructions

## Parts



A - TESSA Elite Main Body (1x)



B - Keyboard Shelf Bracket (1x)



C - Left Screw Cover (1x)



D - Right Screw Cover (1x)



E - Keyboard Shelf (1x)



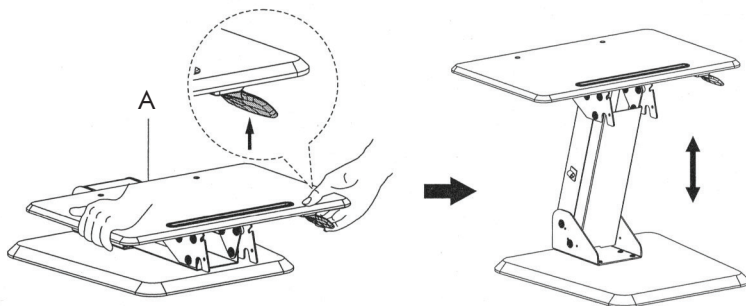
F - Screws (6x)



G - 4mm Allen Key (1x)

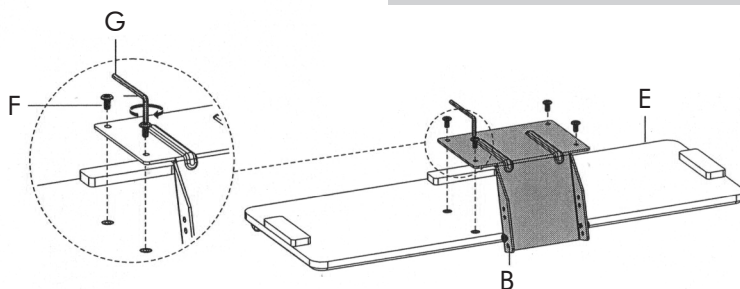
## Step 1.

Use the lever, and lift the TESSA-Elite body to its maximum height.



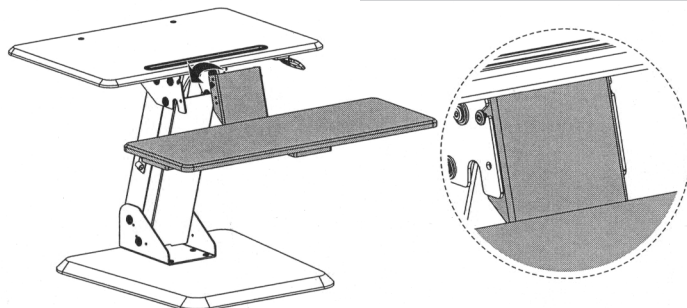
## Step 2.

Flip the Keyboard Shelf (E) upside-down, and screw the keyboard shelf bracket (B) into the holes as shown.



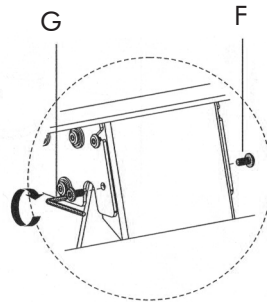
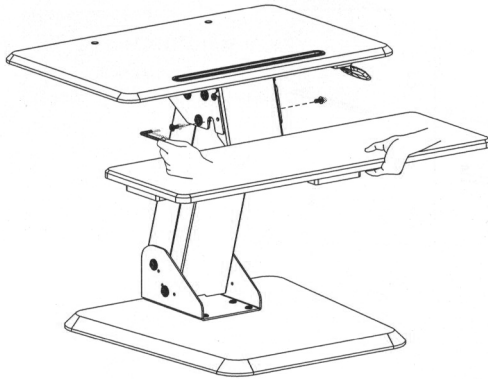
## Step 3.

Insert the Keyboard shelf bracket into the bracket underneath the main shelf of the main body as shown.



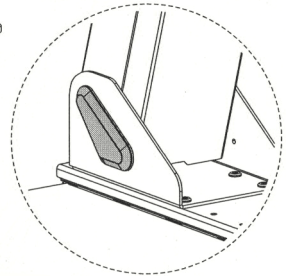
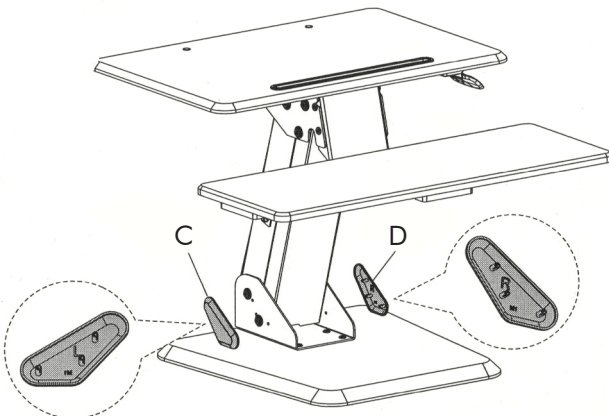
## Step 4.

Use the remaining screws (F) and the Allen Key provides (G) to attach the keyboard shelf to the main body of the TESSA-Elite Workstation as shown.



## Step 5.

Attach the screw-covers (C & D) to the side of the TESSA-Elite as shown.



## Complete

Your TESSA-Elite Workstation is now ready for use.

