

MB02 BASIN MIXER

meir®

HANDLE VARIANTS



Paddle:MB02PD



Pinless: MB02PN



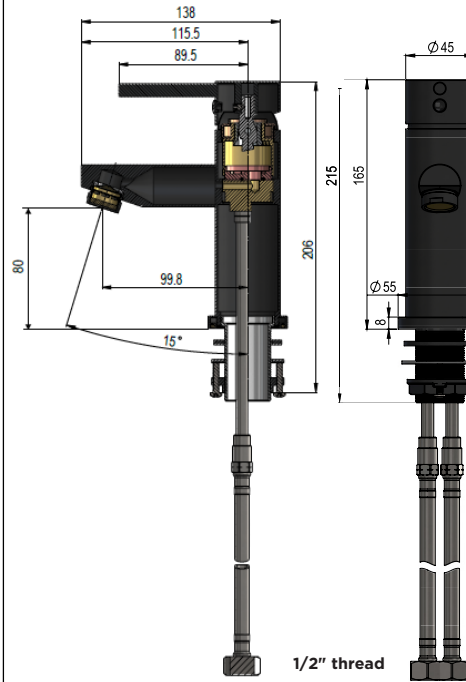
FEATURES

- Refer to the Meir website for warranty terms & conditions, and available finishes.
- Flow rate 5L p/m at 3 bar pressure.
- European ceramic cartridge
- Solid brass construction
- Box Weight 1.5 kg

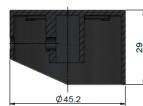
CARE

- Do not install tapware using any form of acetone silicones.
- Do not apply physical items (such as tools) directly to product.
- Never use house-hold or commercial detergents, citrus based cleaners, or abrasive cleaners.
- Clean using a mild washing soap solution rinsed, and dry with a soft cloth.
- Check for any product defects before installation.
- Refer to the installation manual for correct installation.

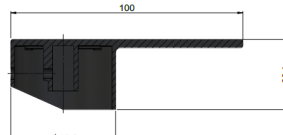
SPECIFICATIONS



PINLESS HANDLE

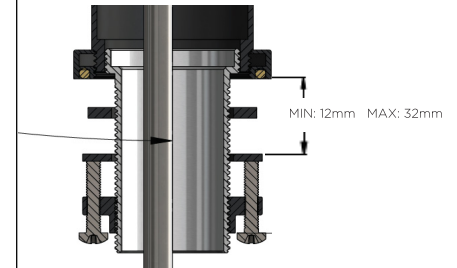


PADDLE HANDLE



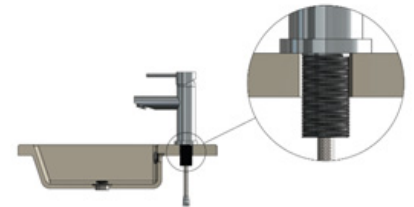
TOLERANCES

Surface Tolerance

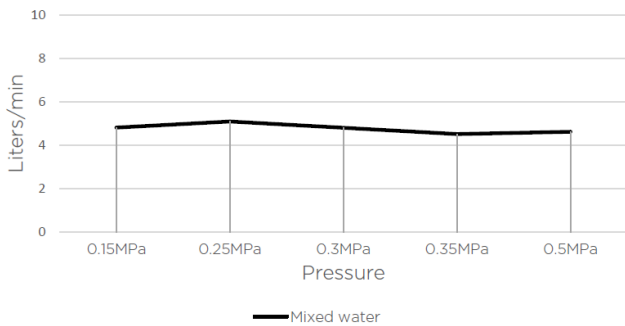


Hole Diameter

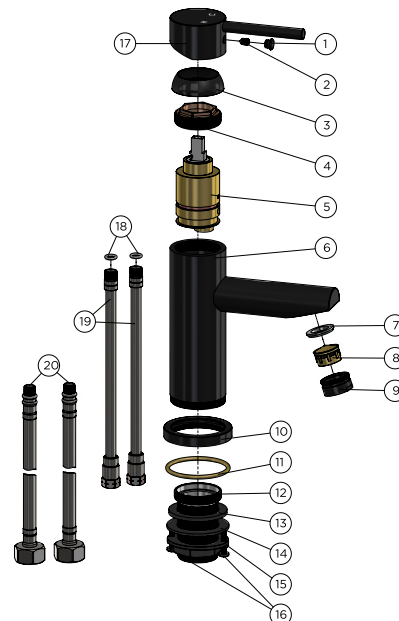
MIN: 34mm MAX: 42mm



FLOW RATE GRAPH



EXPLODED VIEW



1. Decor knob
2. Screw
3. Decor cover
4. Nut
5. D35 cartridge
6. Welding body
7. Flat washer
8. Aerator
9. Aerator shell
10. Base
11. O-ring
12. Thread tube
13. Flat washer
14. Washer
15. Mount nut
16. Bolt
17. Handle
18. O-ring
19. Connecting tube
20. Inlet hose or knob

CREDENTIALS

- WaterMark AS/NZS 3718:2005
- 5-star WELS rated
- 6 litres p/minute
- WELS registration No: T37607
- KUKreg4 certified