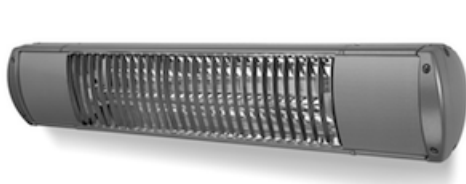


Solaira[®] XL SERIES

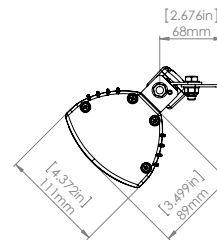
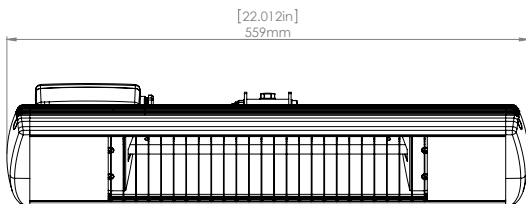
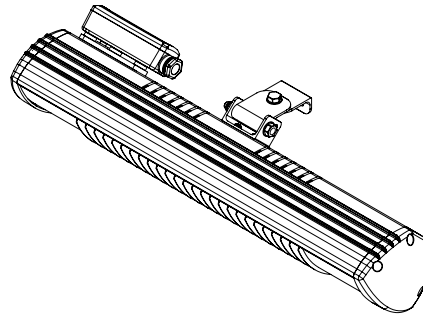
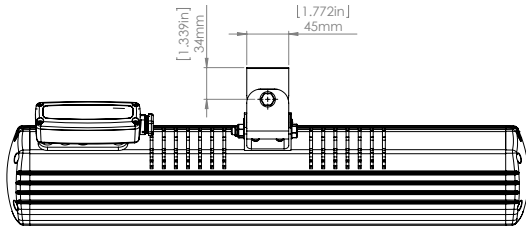
ENGINEER AND ARCHITECT SPECIFICATION



SOLAIRA XL



SOLAIRA XL with Lights



TECHNICAL

tested to UL1278/2021

SPECIFICATION

Solaira XL waterproof shortwave infrared heater suitable for outdoor and indoor use –Industrial, commercial and residential applications. Solaira[™] is Infocinsight Consumer Products Incorporated Brand, Mississauga, Ontario, Canada.

Solaira XL heaters shall be cCSAus Listed and certified to ANSI/UL 1278 Movable and Wall or Ceiling - Hung Electric Room Heaters, UL 2021 Fixed and Location - Dedicated Electric Room Heater, ANSI/UL 875 Electric Dry Bath Heaters and ANSI/UL 834 Heating, Water Supply and Power Boilers – Electric.

Solaira XL heaters will utilize only Solaira *short wave* emitter technology with peak infrared wavelength between 1000 – 1300 nm. Emitters will be manufactured utilizing tubular quartz with tungsten coil and shall be glare reducing, thermal shock resistant for outdoor use and will be terminated in a waterproof junction box attached to the fixture. **Controllable Heat** -Heaters can have variable heat control added as an option (see www.solairaheaters.com).

Solaira XL heaters enclosures, and mounting brackets will be Epoxy powder coated, 1.5mm 6063 aircraft aluminum (XL available in Black or White, XL with light available only in Silver/Grey) . Back plate and all threaded hardware shall be stainless steel. Reflectors shall be 99.9% reflectivity and manufactured from 0.8mm GOLD tint anodized aluminum. All units are supplied* with adjustable wall or ceiling mounting bracket, universal connector for multiple heater connection, safety wire guard. * *Subject to change without notice*

Solaira Cosy XL with Lights will have integrated lights (with separate electrical connection) for dual purpose heating and lighting use.

MODEL	Total Power (WATTS)	Total Current (Amps)	Minimum height from floor	Recommended Clearance to Ceiling	Clearance to side wall	Weight	Replacement Emitter
SCOSYXL15120B/W (black or white)	1500	12.5	6'7"	12"	3'4"	8.0 lbs	SWIREAW15120
SCOSYXL15240B/W (black or white)	1500	6.25	6'7"	12"	3'4"	8.0 lbs	SWIREAW15240
SCOSYXL20240B/W (black or white)	2000	8.33	6'7"	1'8"	3'4"	8.0 lbs	SWIREAW20240
SCOSYXL-L15240S (silver/grey/ w light)	1500	6.25	6'7"	12"	3'4"	8.0 lbs	SWIREAW15240
SCOSYXL-L20240S (silver/grey/ w light)	2000	6.25	6'7"	1'8"	3'4"	8.0 lbs	SWIREAW20240

SOLAIRA XL SERIES SUBMITTAL

JOB NAME _____ JOB LOCATION _____
 ARCHITECT _____ ENGINEER _____
 CONTRACTOR _____ SUBMITTED BY _____ DATE _____
 ITEM SPEC _____ QTY _____ CONTROLS _____

Solaira[™] –Infocinsight Consumer Products Inc,
 Canada: 125 Traders Blvd #4, Mississauga, Ontario
 Phone: 866-321-8373 local 905-568-7655

US DC: Infocinsight c/o Benlin 2769 Broadway Blvd, Buffalo, NY 14227
 Fax: 905-568-7521 web: www.solairaheaters.com

email: info@solairaheaters.com