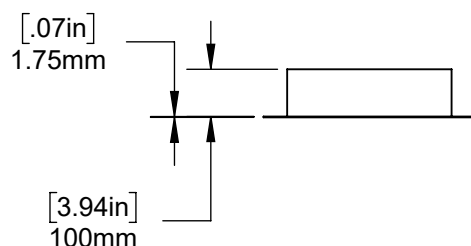
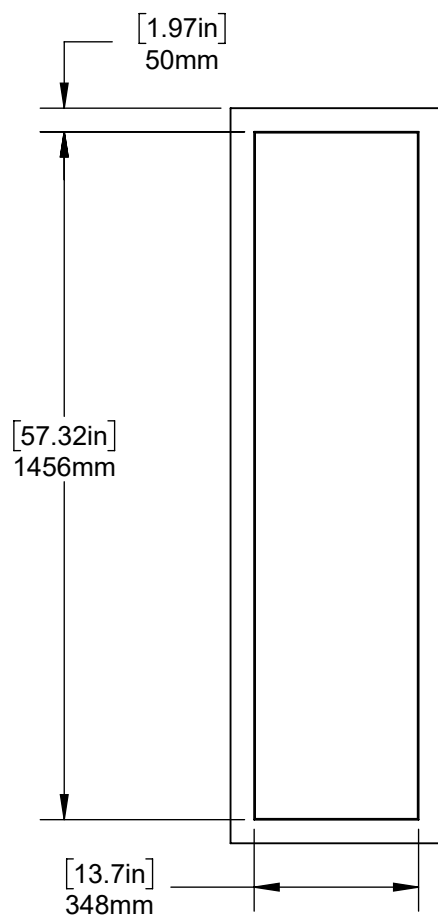
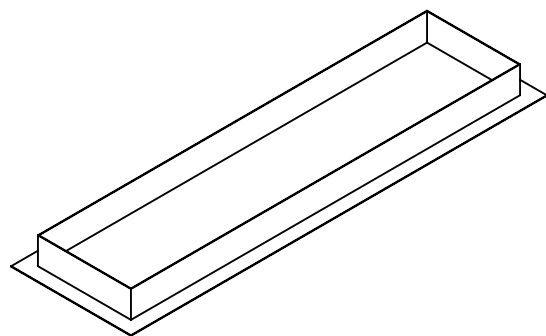
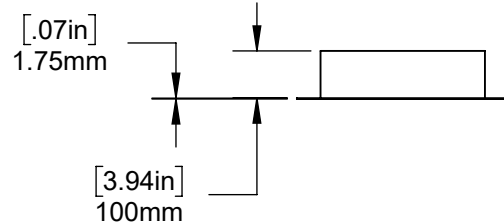
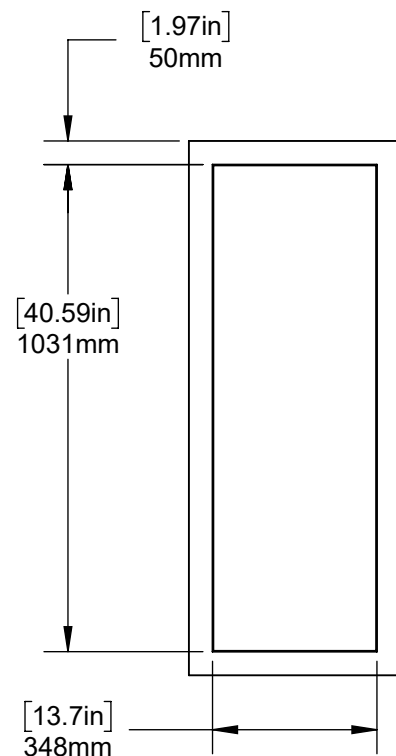
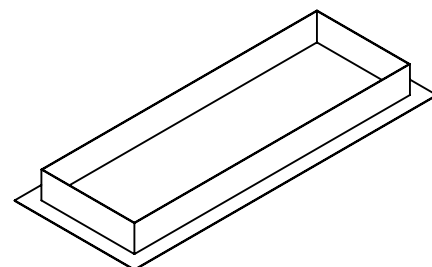


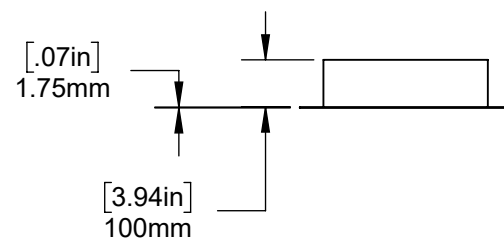
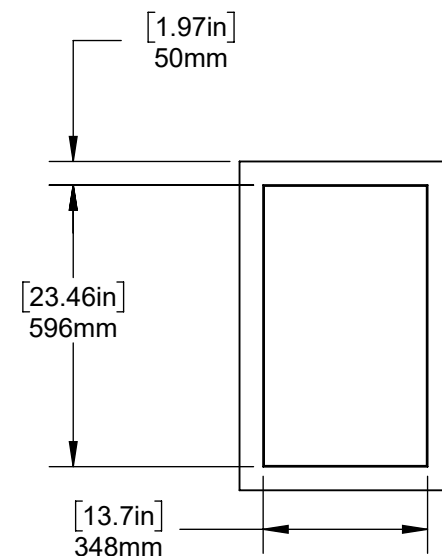
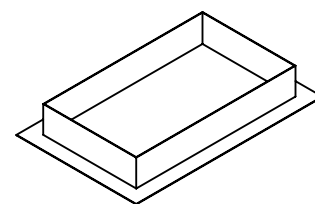
**ICR H3  
FLUSH/ RECESS TRIM KIT**



**ICR H2  
FLUSH/ RECESS TRIM KIT**

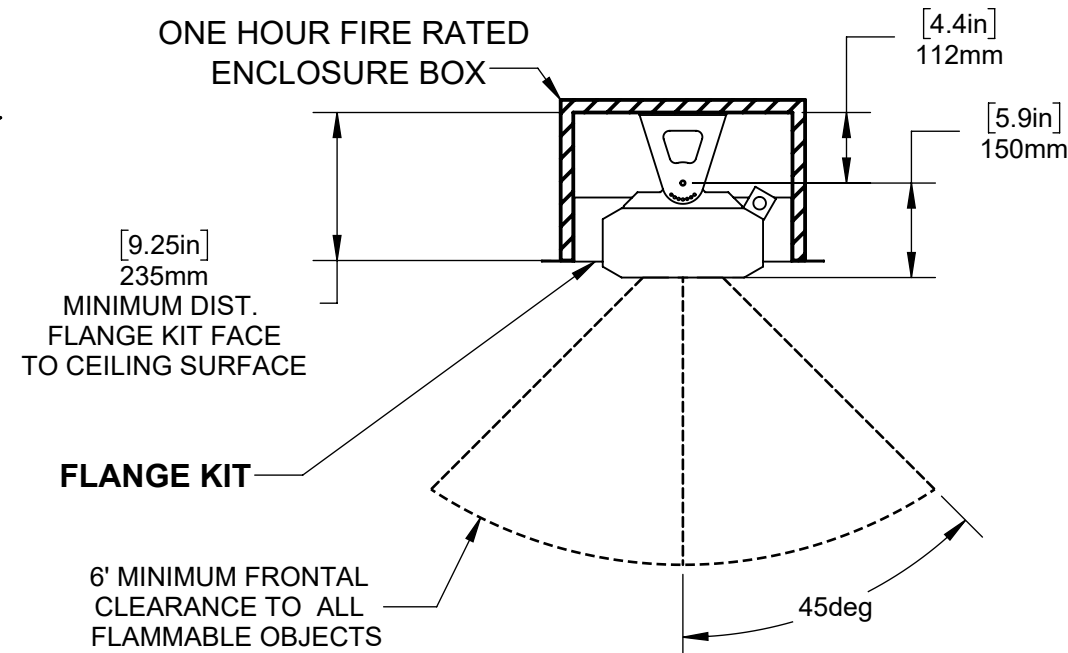


**ICR H1  
FLUSH/ RECESS TRIM KIT**



**TYPICAL FLUSH/ RECESSED APPLICATION**

CLEARANCES TO SIDE WALLS AND FLOORS OUTLINED IN HEATER SPECIFICATIONS MUST BE MAINTAINED



**!CAUTION: When recess mounting the heater, it must be accompanied with a Solaira Flange Kit and an enclosure box (SUPPLIED BY CERTIFIED INSTALLING CONTRACTOR) made from a suitable material with 1 hour fire rating per local requirements. Distances to side walls and floor must be maintained as per Solaira ICR heater clearance requirements.**

AVAILABLE TRIM KITS	
DESCRIPTION	PART NUMBER
ICR H1 - TRIM KIT	SICR-H1-TRM
ICR H2 - TRIM KIT	SICR-H2-TRM
ICR H3 - TRIM KIT	SICR-H3-TRM

<b>A</b>	<b>2019-03-08</b>
REVISION	DATE: YYYY-MM-DD

	<b>MODEL SOLAIRA ICR SERIES TRIM KIT</b>	
SHEET NO.	SHEET SCALE	SHEET SIZE
1 OF 1	1:16	11X17

Solaira does not make recommendations regarding installation materials, affixment of heaters, trim kits or fire rated enclosure and assumes no responsibility for the installation. DO NOT INSTALL IN CORNER! If installing near a corner, ensure minimum clearances are observed.

**NOTICE: THIS DOCUMENT IS NOT A SUBSTITUTE FOR APPROVED MANUA.** Failure to follow instruction manual may cause fire, electric shock or injury to persons. Solaira™ is a registered trademark of Inforesight Consumer Products. Customer, contractor specifier and installer understands that some or all products provided by Inforesight Consumer Products Inc. may not be available for purchase or installation in certain jurisdictions or geographical areas. Inforesight Consumer Products Inc. reserves the right, in its sole discretion, to exclude or otherwise limit the provision of any product to a person or entity residing in any jurisdiction or geographical area outside of Canada. Inforesight Consumer Products Inc. provides general product installation guidelines and procedures and Customer, contractor, specifier and installer understands that Customer, contractor, specifier and installer is solely and exclusively responsible for installation of the product and ascertaining all applicable local municipal, provincial, state, and federal NEC (National Electrical Code) rules, by-law, ordinances and guidelines applicable to the installation of any Inforesight Consumer Products Inc. products. Customer contractor, specifier and installer must strictly adhere to and be compliant with the local rules, laws, ordinances and legal requirements for the safe installation and use of any Inforesight Consumer Products Inc. products. Instruction manuals are included with the product packaging and copies of our instruction manuals are available upon request. Under no circumstances shall Inforesight Consumer Products Inc. or its affiliated entities, employees, agents, shareholders, officers or directors be liable to Customer or any third party for any product installations and Customer, contractor, specifier and installer releases Inforesight Consumer Products Inc. from any and all losses, death, personal injury, property damage, other damages, rights, claims, demands and actions of any kind arising from the Customer's installation and use of the product, whether the installation was or was not in accord with the provided instruction manual and/or in compliance with applicable local laws. Solaira products are to be installed by licensed technicians per instruction manuals and to all provincial/state and national (N.E.C.) code requirements; specifications subject to change without notice.