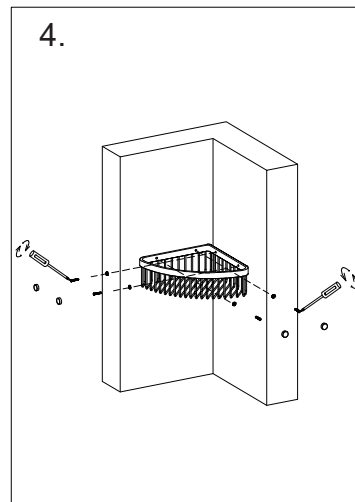
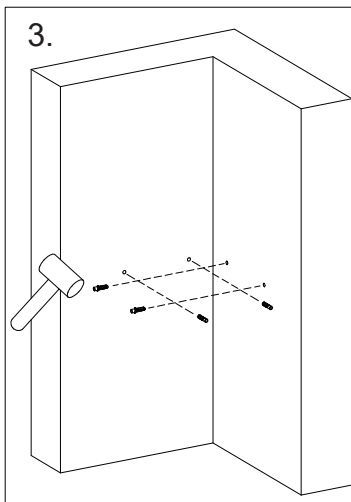
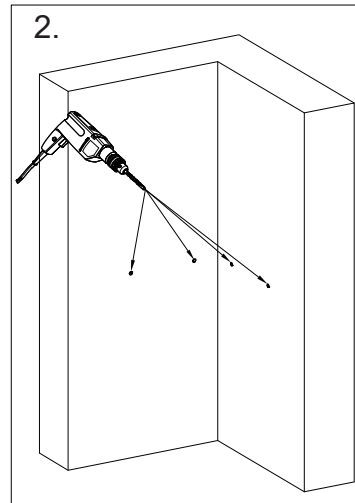
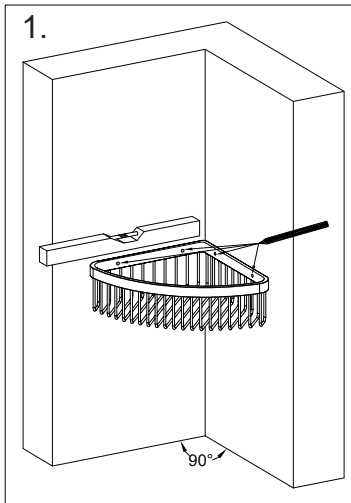


Installation Guide

Darcey Shower Basket

HOP-DAR-115



WARRANTY REQUIREMENTS

For full warranty terms and conditions please visit the warranty section of our website. Please pay attention to below. Failure to do so will void your warranty.

1. Do not use acid cleansers
2. Do not use abrasive cleansers
3. Do not use abrasive cloths

Installation

1. Measure the distance between the fixings on the Shower Basket and transfer these measurements onto the wall. Make sure the markers are level.
2. Now drill into the marked measurements.
3. Insert the wall plugs into the holes that have been drilled.
4. Using your drill, screw the plates into the wall plugs so that they are flush with the wall.

Maintenance and Care

- Clean the surface frequently or on a regular basis to keep it bright and lustre.
- Clean the Bathroom accessories by using clean water, soft fabric and clear glass cleaner, mild detergent or non-abrasive liquid polish.
- DO NOT use acidic or harsh cleaners as this can corrode the Bathroom accessories surface.
- DO NOT use any coarse cleaner, powder, or brush to clean the Bathroom accessories.
- After cleaning, rinse the tapware again thoroughly and dry with a soft cotton cloth.